



**HEAT & GLO**  
*LifeStyleCollection*



Dakota  
Outdoor Gas Fireplace

# Flip a switch & add a room

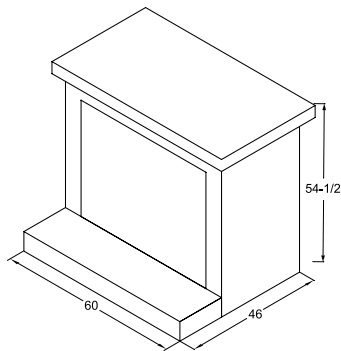
Instantly transform the great outdoors into an outdoor great room.

Just turn it on and turn an ordinary deck or patio into an extraordinary entertainment space. Dakota—the world's first outdoor gas fireplace—combines all the ease and convenience of a gas fireplace with weatherproof, stainless steel construction. Customize it to match your home, or opt for the enjoy-it-now design of our stucco and tile Outdoor Elements surround set—created just for Dakota.

## Dakota Specifications

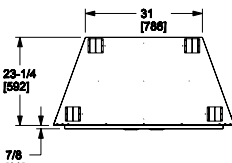
MODEL	HEIGHT		FRONT WIDTH		BACK WIDTH		DEPTH		GLASS SIZE	BTU INPUT
	Actual	Framing	Actual	Framing	Actual	Framing	Actual	Framing		
Dakota	40	43-7/8	48	49	31	49	23-1/4	24-1/8	26-13/16 x 42-1/2	52,000 Btu/Hour Input (LP) 61,000 Btu/Hour Input (NG)

### Outdoor Elements

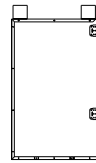


### Dakota

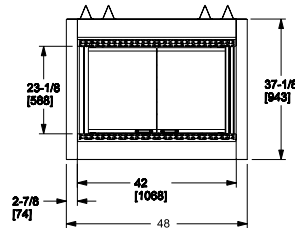
#### Top View



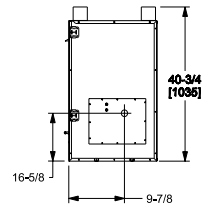
#### Side View



#### Front View



#### Side View



Dimensions above are in inches. Reference dimensions only. We recommend measuring individual units at installation. Assumes the use of 1/2" Sheetrock. NOTE: Non-combustible material is allowed over this dimension. Make sure you do NOT cover the decorative door opening.

Refer to installation manual for detailed specifications on installing this product. Heat & Glo reserves the right to update units periodically. Pictures in this brochure are not true representation of the fireplace, flames and/or finishes.

## Outdoor Elements options Mix and match these stucco and tile colors to complement your home.



\*Standard colors. All other colors are available by special order.

### Dakota 42 Features

- IntelliFire™ ignition system
- Complete gas fireplace system—LP or Natural
- Smoke-free, no messy ashes
- Realistic logs and refractory
- Decorative front grill vent eliminates chimney
- Glass doors add control in windy conditions
- Approved for use in screened porches, gazebos and lanais\*
- Designed to fit into Heat & Glo LifeStyle Collection Outdoor Elements Sets
- UL listed
- 52,000 Btu/Hour Input (LP)
- 61,000 Btu/Hour Input (NG)
- Patented technology
- 15 year limited warranty†

### IntelliFire

Our exclusive, state-of-the-art IntelliFire ignition system reduces gas consumption and thermogenerator wear by providing a pilot flame only when needed. Also supplies a back-up battery system to run the fireplace during a power outage.

\*Dakota 42 is approved for installation in screened porches, gazebos and lanais with the following guidelines: Minimum porch area: 96 square feet, Minimum ceiling height: 92 inches, Minimum of two walls must be screened. Minimum top of screen height, side walls: 6 ft. 8 in., Minimum screen area: 64 square feet

†For complete warranty information go to [www.heatnglo-lifestyle.com](http://www.heatnglo-lifestyle.com)

Cover Photo: Dakota shown with custom stone finish on Outdoor Elements surround.

**HEAT & GLO**  
LifeStyleCollection

20802 Kensington Boulevard, Lakeville, MN 55044  
(888) 427-3973 (952) 985-6000

Email: [info@heatnglo.com](mailto:info@heatnglo.com) • Web: [heatnglo.com](http://heatnglo.com)

A brand of Hearth & Home Technologies, Inc.



B-Dakota 7/05