



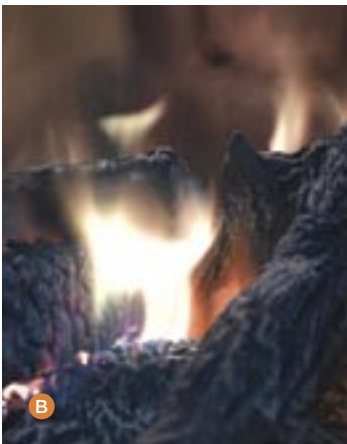
HEAT & GLO
LifeStyle Collection



Twilight™ II
Indoor/Outdoor Gas Fireplace



Inside comfort
& outdoor living.



- A. Enjoy this beautiful fireplace from both inside and outside your home.
- B. 38,000 Btu/Hour input delivers generous heat and flames.

Finishes Five rich finishes. High on style, long on durability. Available on select fronts.



Black Bronze Brushed Nickel Pewter Polished Brass

Options, options & more options.

Interior Fronts

Twilight™ II

An interior front is required to finish Twilight II. Purchase one of these stylish options, each available in various finishes as indicated. Two even accept interchangeable panels.

Basic Front



In black only. DF-6000

Firescreen Front



In black, bronze or pewter. Accepts interchangeable decorative panels and Firescreen Companions. DF-6-FS

Arched Front



In black only. DF-6-CARCH

Craftsman Door



In black, bronze or pewter. Comes with matching black andirons. DF36-CRAFT, requires DF36-AP frame



Also available, matching Craftsman tool set in black, bronze or pewter. TS-CRAFT

Essence Doors



Available in all five finishes. Accepts interchangeable decorative panels. DF-6-ESSENCE

Spire Door



In black, bronze or pewter. Accepts interchangeable decorative panels and Firescreen Companions. DF-6-FS, requires DF36-RP frame



Also available, matching Spire tool set in black, bronze or pewter. TS-SPIRE

With multiple fronts and finishes, plus interchangeable panels and companions, you can define and design your own style.

Interchangeable Decorative Panels Firescreen fronts and Essence doors for Twilight™ II accept these six interchangeable panels. Buy one or several; they're easy to change. Think of them as decorating accessories for different seasons or events. Each is available in five finishes to match or contrast with fronts: black, bronze, brushed nickel, pewter, polished brass.



Waverly



North Woods



Mission



Classic



Floral



Victorian



Floral Interchangeable panel shown attached to Essence Door.

Firescreen Companions The Firescreen front can be enjoyed unadorned, or you can purchase one of these three Firescreen companions to attach to the front's exterior, adding a distinctive touch of corner detail. Each is available in black, bronze or pewter to match or contrast with the front.



Arbor Creek Companions set



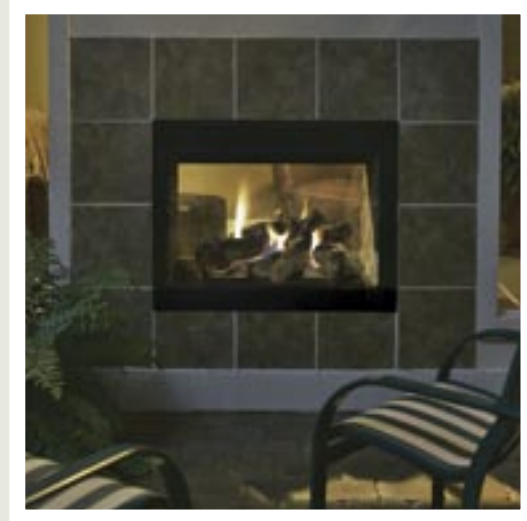
Carriage Hill Companions set



Prairie Ridge Companions set

Is it an indoor fireplace with a window to the world outside? Or an outdoor fireplace with an inside view? Twilight™ II is both. It's the first-ever indoor/outdoor see-through fireplace that adds the warmth and beauty of a clean-burning fireplace to two spaces at once. Living room and patio, focal point and gathering place, friends and family. Why not have it all?

- Unique see-through design simultaneously functions inside and out. There's no need to invest in two separate fireplaces.
- Innovative engineering meets both gas fireplace and window standards, including air leakage and wind load tests. The result: worry-free performance in even the harshest conditions.
- The outside face acts as a vent, so there's no need for additional venting. Installation is easier — with more possibilities to choose from.



Twilight™ II

The best of both worlds.

Exterior Front

An exterior front is required to finish Twilight II. It's designed to withstand the elements, even hurricanes, and it comes in six different exterior-friendly colors. Choose a color to match your home.



Basic Front in black



Copper



Dark Brick



Green



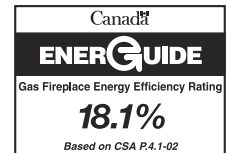
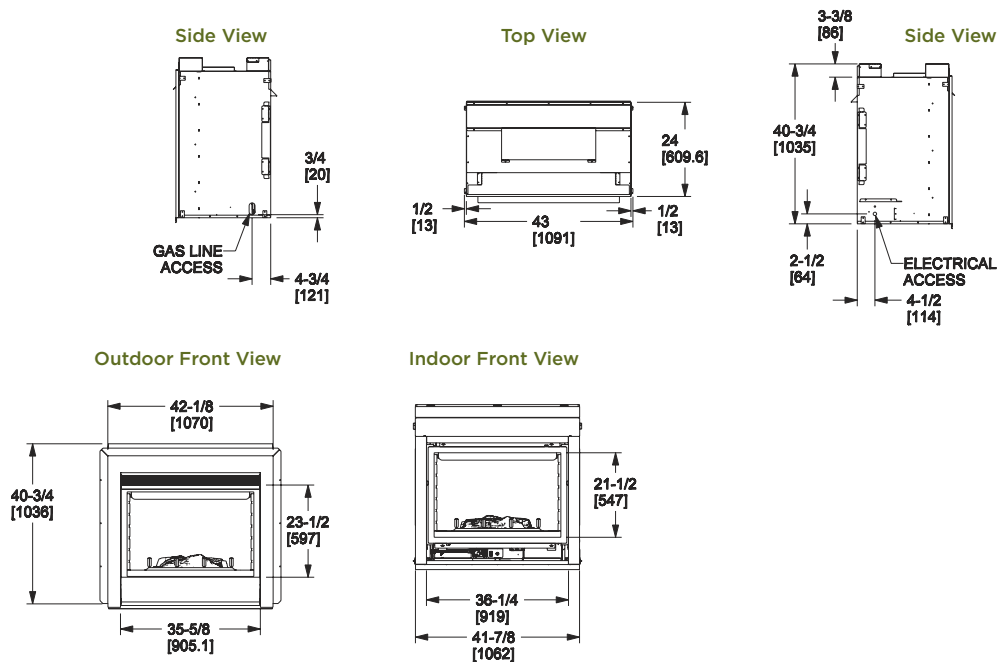
Light Brick



Rust

Twilight™ II Specifications

MODEL	HEIGHT		FRONT WIDTH		BACK WIDTH		DEPTH		VIEWING AREA	BTU INPUT
	Actual	Framing	Actual	Framing	Actual	Framing	Actual	Framing		
Twilight™ II	40-3/4	41-1/4	43	44	43	44	24	23	36 x 21-1/2	NG: 38,000 LP: 37,000



Dimensions above are in inches. Reference dimensions only. We recommend measuring individual units at installation. Assumes the use of 1/2" Sheetrock. NOTE: Non-combustible material is allowed over this dimension. Make sure you do NOT cover the decorative door opening.

Refer to installation manual for detailed specifications on installing this product. Heat & Glo reserves the right to update units periodically. The flame and ember appearance may vary based on the type of fuel burned. Pictures in this brochure are not true representation of the fireplace, flames and/or finishes.

Twilight™ II Standard Features

- 38,000 BTU input/hour (NG)
- Weather-tested/hurricane-rated
- Sealed combustion chamber
- No additional venting required

Twilight™ II Optional Features

- Interior fronts in various finishes (required)
- Exterior fronts in Rust, Light Brick, Linden Green, Dark Brick, Copper, and Black color options (required)
- Mantels and surrounds
- Remote control
- Fan kit
- Wall switch kit

Healthy Hearth

Our direct vent fireplaces will not alter the quality of indoor room air in any way. They utilize a sealed combustion chamber that draws in fresh air from outdoors and discards all combustion by-products back outside.

Limited Lifetime Warranty

The strongest in the industry, Heat & Glo guarantees protection for all gas units, including a lifetime warranty on the most important aspects: fiber logs, stainless steel burner, firebox and heat exchanger.

For complete information and valuable assistance on this model, please contact us at:

HEAT & GLO
LifeStyleCollection

20802 Kensington Boulevard, Lakeville, MN 55044
(888) 427-3973 (952) 985-6000

Email: info@heatnglo.com
Web: heatnglo.com

A brand of Hearth & Home Technologies, Inc.

