

DESIGNER SERIES GAS INSERTS

ULTRA-EFFICIENT HIGH-OUTPUT GAS INSERTS



Cast Pillar face with filigree grills and cast surround



Cast Pillar face with traditional grills


COUNTRY[®] STOVES
A LIFETIME OF WARMTH

COUNTRY

Country's Elegant Designer Series Gas Inserts

CONVENIENCE AND EFFICIENCY ALL IN ONE BEAUTIFUL INSERT



"Country Stoves has always been a company passionate about creating quality, warmth, and comfort. For 25 years, this passion has been handcrafted into each stove. That's why thousands of families have trusted us with providing the warmth and comfort they were looking for. By owning a Country Stove, you too can experience the passion, performance, and warmth that is Country."

Wishing you a lifetime of warmth,

R.B. Schlegel

OUR COMMITMENT

For the last 25 years, we have prided ourselves on creating the finest, hand-crafted stoves available. We've grown and changed over the years, but we haven't lost what made us successful to begin with – a commitment to providing you and your family a lifetime of warmth.

Limited Lifetime Warranty

We are proud to stand behind our stoves. We prove it by offering a Limited Lifetime Warranty on every product we sell. See your Country Stove professional for more details.



Gold Bay face with gold surround trim



Black arch face with nickel doors, nickel trim and nickel surround trim

COUNTRY STOVES
A LIFETIME OF WARMTH

Country's Pledge – Superior Quality



Arch nickel face with nickel doors and nickel surround trim.



Hand finished Foundry face with hammered nickel trim.



Traditional black face with gold trim and gold surround trim.



Louver face with black doors, gold knobs, and gold surround trim.



Cast Pillar face with filigree grills and cast surround.



Black Bay face with gold louvers and gold surround trim.

COUNTRY DESIGNER SERIES –

Crafted by skilled builders using only the finest materials, Country's Designer Series is the perfect combination of refined style, the latest in gas heating technology, and undeniable convenience. Approved to fit most zero clearance factory built and masonry fireplaces, the Designer turns a standard fireplace into a cost effective heat source.

Customize your design: The many face and trim options of the Designer Series allow you to create just the right look for your home. Have an idea for a combination not shown here? Ask your dealer for information about the face options as well as mixing and matching our black, gold, nickel and black nickel trim options.

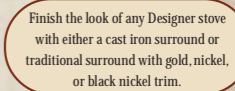
With the Designer's large unobstructed viewing area, variety of face options, and all the quality that you have come to expect from Country, we're confident the Designer will be the perfect addition to your home.

ADDITIONAL FEATURES:

- ◆ Insert surrounds available in a range of sizes and styles
- ◆ Optional wireless remote control thermostat
- ◆ Maximum efficiency heat exchanger
- ◆ Heavy 14-gauge aluminized steel firebox construction (Compare to other manufacturer's sheet metal const.)
- ◆ Realistic fireplace depth
- ◆ Insert operates without power
- ◆ 155 cubic feet per minute blower
- ◆ Zero clearance (metal) and masonry fireplace approved
- ◆ 82% – 86% Steady state efficiency. (Efficiency varies slightly with various pipe configurations)
- ◆ Optional 4" extended draft hood available for ease of installation



Heavy 14-gauge aluminized steel firebox construction.



Finish the look of any Designer stove with either a cast iron surround or traditional surround with gold, nickel, or black nickel trim.

Heavy finned heat exchanger provides maximum efficiencies with or without a blower.



Mix and match black, gold, nickel or black nickel door, louver and surround trim for a variety of looks.

Realistic logs and brick refractory for the look of a real wood burning fireplace.

Louver face with nickel doors, nickel louver accents and nickel surround trim.

Enjoy the FireWatcher Low Burn setting while using less gas per hour.

Features and Specifications for Designer Series Gas Inserts

THESE SPECIFICATIONS ARE FOR REFERENCE ONLY. DO NOT USE FOR INSTALLATION.

SPECIFICATIONS & CLEARANCES

UNIT DIMENSIONS

MEASUREMENTS:

Rear width
A = 20-1/8"

Front width
B = 28"

Overall unit height to top heat exchanger
C = 21-3/4"

Unit depth
D = 15-3/8"

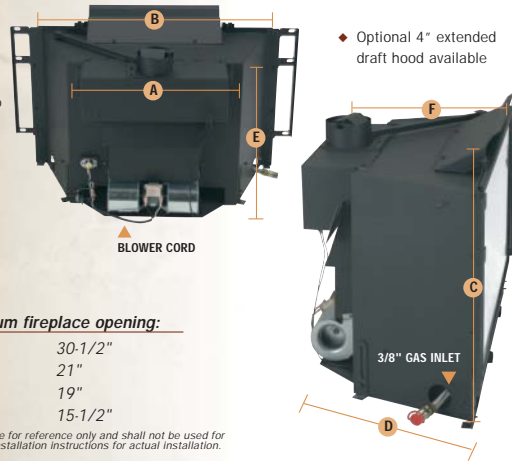
Rear height to top of flue collar
E = 20-1/8"

Back of flange to centerline of 4" flue starter collar
F = 12"

Required minimum fireplace opening:

Front Width: 30-1/2"
Height: 21"
Rear Width: 19"
Depth: 15-1/2"

* These specifications are for reference only and shall not be used for actual installation. Use installation instructions for actual installation.



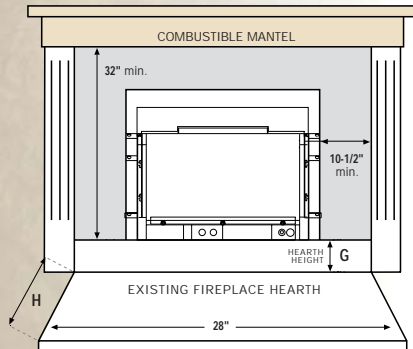
◆ Optional 4" extended draft hood available

SPECIFICATIONS	
NATURAL GAS	LP GAS (PROPANE)
HEATING CAPACITY	
500 TO 1,500 SQ. FT.*	
MAXIMUM RATED BTU INPUT	
30,000 BTU's/hr	28,500 BTU's/hr
STEADY STATE EFFICIENCY**	
82% / 86%	82% / 86%
MAXIMUM OUTPUT BTU'S/HR	
24,600 BTU's/hr	23,370 BTU's/hr
INSERT BLOWER	
155 CFM (Included)	
VENT PIPE	
4" gas rated B-vent or listed singlewall gas vent chimney liner	
POWER OUTAGE OPERATION	
Yes - no electricity needed	
ZERO CLEARANCE (Metal) and MASONRY FIREPLACE APPROVED	
See fireplace cavity requirements	

* Heating capacity varies due to home insulation, floor plan and climate.

** Efficiency varies slightly with various pipe configurations.

MINIMUM CLEARANCE TO COMBUSTIBLES:



These minimum clearances are for reference only and should not be used for final installation.

Masonry fireplace installation and zero clearance (metal) installation. Approval to remove side and rear refractory bricks for zero clearance installations only.

HEARTH PROTECTION:

Hearth Height	G = 0"	2"	4"
Hearth Extension	H = 13"	10"	0"

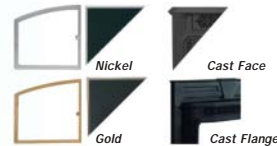
Note: Hearth protection to be min. 3/8" thick non-combustible.

*Local codes may require greater hearth protection.

ADDITIONAL FEATURES

TRIM & SURROUND OPTIONS

Choose from the many different trim and surround options available or mix and match to create a style that fits perfectly in your home.



Available sizing for Insert surrounds:

(Includes gold, nickel or black nickel trim)

Sizes: Traditional Surround:	29" H x 41" W (std)
	29" H x 48" W
	33" H x 41" W
	33" H x 48" W
Cast Surround:	30" H x 45-1/2" W

OPTIONAL WIRELESS REMOTE CONTROL THERMOSTAT

Adjust the comfort level of your room or home with a convenient hand-held remote option. Wall mounted thermostat control also available. Ask your dealer for details.



HEAT EXCHANGER

Heavy finned heat exchanger provides maximum efficiencies with or without a blower.

SAFETY STATEMENT: This appliance must be installed in accordance with local building codes. In the absence of local codes, comply with the current national fuel gas code, ANSI Z223.1. This appliance has been tested in accordance with ANSI Z21.886.2001, for gas fired vented room heater by OMNI Environmental.

YOUR AUTHORIZED COUNTRY STOVES DEALER

COUNTRY'S SIGNATURE STOVES - Your personal Assurance of Quality and Craftsmanship

A Country Stove is not an assembly line produced stove but a premium handcrafted heater. At Country, a skilled craftsman builds each stove almost entirely, giving the builder additional pride and responsibility in workmanship, assuring you of the best built stove available. Our stove builders are renowned as the "best in the business" and use only premium grade materials.



COUNTRY STOVES, INC.
P.O. Box 959, Auburn, WA 98071-0959
www.countrystoves.com

© 2003 Country Stoves, Inc.

S/W Design #105647 1/2003