

COUNTRY TETON GAS STOVE

FREESTANDING DIRECT VENT GAS STOVE



COUNTRY'S TETON GAS STOVE: THE BEST IN SIMPLICITY...

Classic proportions, hand-crafted quality, and ease of use sum up the Country Teton. One of our smaller direct vent gas stoves, the Teton provides exceptional craftsmanship, flickering flames, and cozy warmth for your home. The Teton's versatility allows it to fit into any style of home from minimal and modern to more classic and traditional.

Behind the Teton's refined exterior is the latest in gas heating technology. Our exclusive comfort flow vertical convection chamber ensures efficient heating, while our high-glow log set provides the look of a realistic wood-burning fire. Vent from the top or back for many installation options.

Hand-crafted from only the finest materials and backed by Country's Limited Lifetime Warranty, the Teton will provide you and your family a lifetime of warmth.

**COUNTRY STOVES**
A LIFETIME OF WARMTH

FEATURES:

- Durable high efficiency 660 sq. inch heat exchanger
- High temperature NeoCeram® glass for safety and heat transfer
- Heavy duty 14 gauge aluminized steel firebox construction - no sheetmetal
- Lustrous 24K gold plated or nickel door trim, and legs
- High glow ceramic fiber log set
- Multi-port long life burner
- Exclusive comfort flow vertical convection chamber
- No hearth pad required if installed on a non-combustible floor or carpet with less than 1-1/2" pile
- Optional remote thermostat available
- Vent from the top or back for many installation options

Options and Specifications for the Teton Direct Vent Gas Stove

THESE SPECIFICATIONS ARE FOR REFERENCE ONLY. DO NOT USE FOR INSTALLATION.

COUNTRY'S COMMITMENT:

For the last 25 years, we have prided ourselves on creating the finest, hand-crafted stoves available. We've grown and changed over the years, but we haven't lost what made us successful to begin with – a commitment to providing you and your family a lifetime of warmth.

LIMITED LIFETIME WARRANTY:

We are proud to stand behind our stoves and we prove it by offering a Limited Lifetime Warranty on all of our products. See your Country Stove professional for more details.

SPECIFICATIONS

TETON GAS STOVE

HEATING CAPACITY*

900 – 1,200 sq. ft.

MAX. HEAT OUTPUT

22,140 BTU's/hr NG & LP

MAX. INPUT BTU'S/HR

27,000 BTU's/hr NG & LP

MAX. OUTPUT LOW BURN INPUT BTU'S/HR

17,500 BTU's/hr NG

19,710 BTU's/hr LP

DIRECT VENT 6-5/8" PIPE

DuraVent GS or Security Secure Vent

BLOWER (OPTIONAL)

150 CFM Variable Speed

STEADY STATE EFFICIENCY**

82% Natural Gas & Propane

COUNTRY SIGNATURE STOVES

These are not assembly line produced heaters, but premium hand-crafted appliances. Each stove is constructed almost entirely by a single craftsman, giving the builder a special pride and responsibility in workmanship – assuring you a lifetime of warmth.



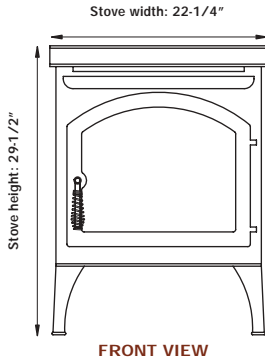
* These specifications are for reference only and shall not be used for actual installation. Use installation instructions for actual installation.

* Heating capacity varies due to home insulation, floor plan and climate.

** Efficiency varies slightly with various pipe configurations.

This appliance must be installed in accordance with local building codes.

TETON FREESTANDING GAS STOVE SPECIFICATIONS:



FIREWATCHER LOW BURN:

The Teton Direct Vent Gas Stove comes standard with Country's trademark FireWatcher Low Burn so you can enjoy a beautiful fire while using less gas per hour.

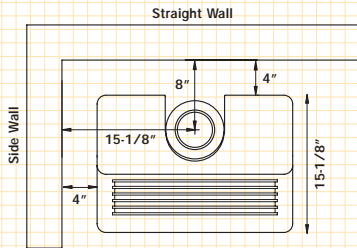


Optional Remote Thermostat Control

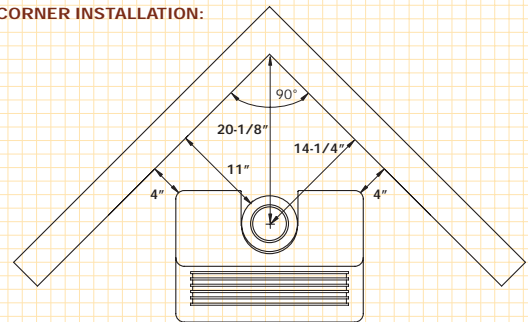


INSTALLATION DIMENSIONS:

STRAIGHT WALL:



CORNER INSTALLATION:



NOTICE: These specifications are used for reference only and shall not be used for actual installation. Use installation instructions for actual installation.

LEG OPTIONS:

DESIGN OPTIONS:

Country Stoves provides many design options for their gas stove line. The Teton Gas Stove has available 24K gold and nickel plated trim kits and leg options.

Nickel Trim and Leg options



24K Gold Plated Trim and Leg options



Safety Notes:

- ▲ No hearth pad is required if installing on non-combustible floor, wood, high-pressure laminate wood flooring or carpet with pile less than 1-1/2" inches.
- ▲ This appliance is installed in accordance with local building codes. In absence of local codes, with the current national fuel code, ANSI Z223.1. This Gas Vented Room Heater tested in accordance with ANSI Z21.88 1998, & UL 307-B by OMNI Environmental.