

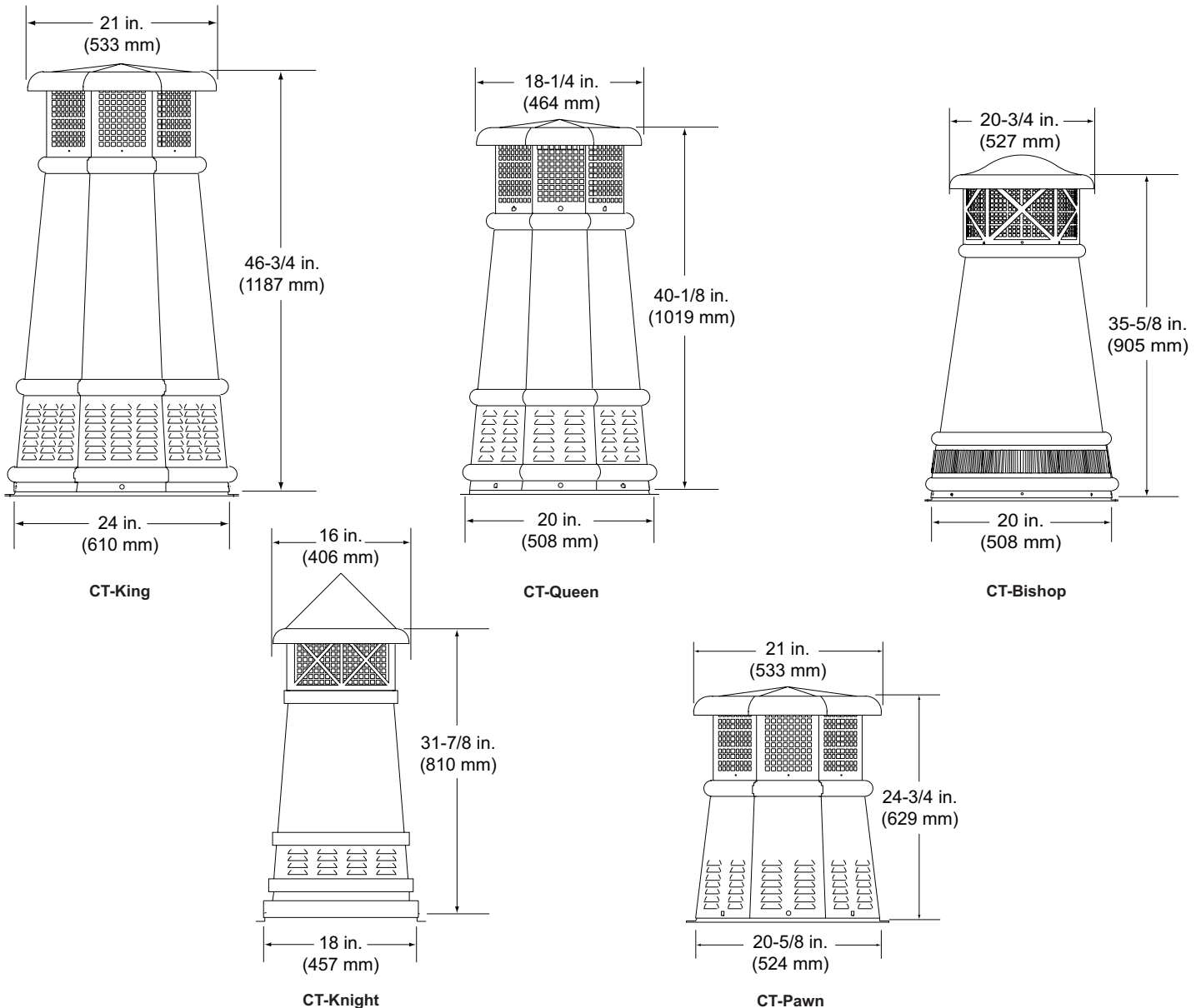
European Copper Decorative Cap Cover

Models: CT-King, CT-Queen, CT-Knight, CT-Bishop,
CT-Pawn

For Direct Vent Vertical Termination Caps




These decorative cap covers have been tested for use with Hearth & Home Technologies Inc. (HHT) direct vent gas appliances, venting and vertical termination caps. Check with your local building code agency before you begin installation to ensure compliance with local codes, including the need for permits and follow-up inspections. If you encounter any problems regarding code approvals, or if you need clarification of any of the instructions contained here, contact your local dealer or the Technical Services Dept., Hearth & Home Technologies Inc., 1-800-927-6841 or 1-888-427-3973.



Note: An arrow (➡) found in the text signifies change in content.


Termination Cap Assembly and Installation




CAUTION

Sharp Edges

- Wear protective gloves and safety glasses during installation.

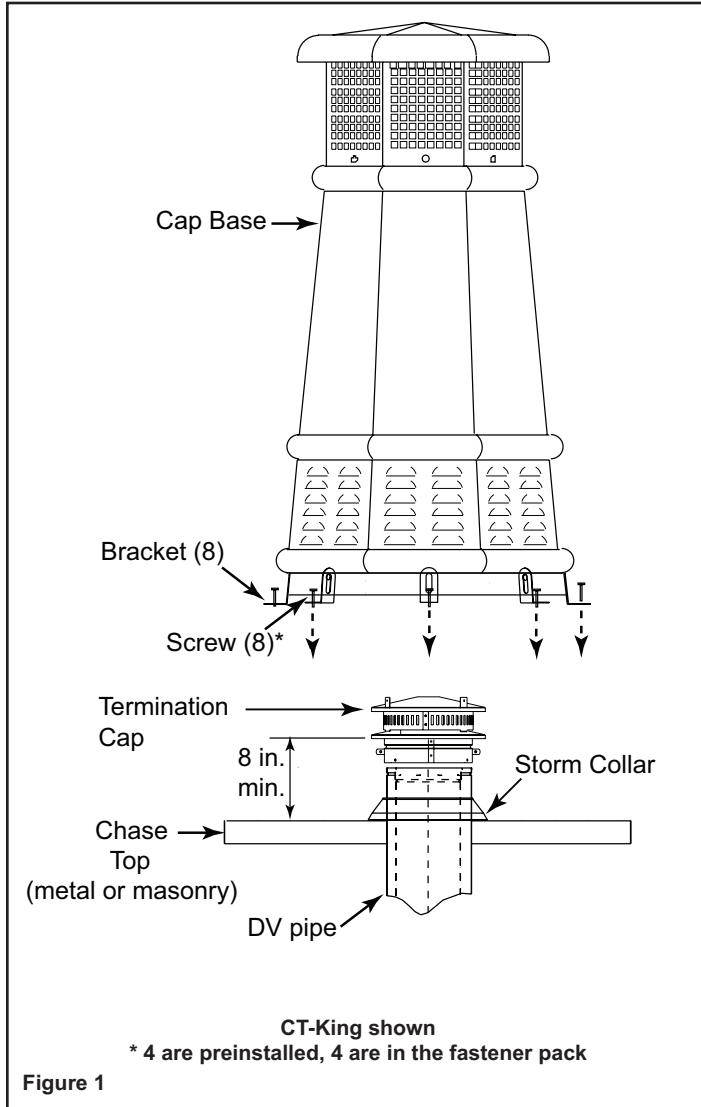





WARNING

Fire Risk

- Intended for use with a metal (or masonry) chase top.
- Use of combustible materials will cause a fire hazard.





WARNING

Fire Risk

Inner flue of cap must be centered inside inner flue of SL series pipe.

Note: The direct vent termination cap must be installed a minimum of 8 in. above the chase top. See Figure 1

- Attach four brackets from fastener pack to cap base with carriage bolts, lock washers and nuts. Do not over tighten to allow for leveling at chase top. Insert bolts from inside (nuts and washers will be on the outside).
- Set cap base onto metal (or masonry) chase top and center over termination cap.

Note: The chase top must have structural support under it to provide anchor points for the cap cover.

Note: Brackets slide up inside cap through slots along bottom edge of cap.

- Set, plumb and level cap using the brackets attached to the cap base.
- Tighten nuts to secure brackets in place.
- Mark location of holes on chase top using the holes in brackets as a template.
- Remove cap and drill holes through marks on chase top.
- Use proper anchors to mount cap to chase top (masonry or sheet metal over wood base).
- Set cap on chase top and secure in place with screws provided.
- Caulk all screws (or nails) on the chase top. Periodic re-caulking may be needed to prevent leaks from developing.
- Attach cap top to cap base using the brass screws provided. Align pilot holes in cap top with corresponding holes in cap base. See Figure 1 for proper alignment.

Contents	Qty
Termination Cap - Top	1
Termination Cap - Base	1
Fastener Pack	1
Brass Screws (1 extra included)	5
Brass Screws (King only) (1 extra included)	10
Brackets (1 extra included)	5
Carriage Bolts (1 extra included)	5
Lock Washers (1 extra included)	5
Nuts (1 extra included)	5
Screws (1 extra included)	9