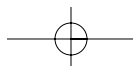


*Gas Fireplace Inserts*

*Rediscover  
the old  
world charm  
and romance  
a hearth  
brings to  
your home.*



**HEAT-N-GLO®**  
No one builds a better fire



*Our gas fireplace inserts will restore the warmth and romance you desire from your existing fireplace.*

You probably grew up enjoying the warmth and comfort of a wood burning fireplace; snuggling in front of the fire to read a novel or play games with your family.

Bringing back that feeling is easy with a Heat-N-Glo gas insert. These gas inserts offer the ambience and nostalgia you'll recall from your wood burning fireplace, but without the hassle of chopping and burning wood. Heat-N-Glo inserts are airtight, which means they won't leave you with a drafty room or alter your indoor air quality. They also boast some of the highest efficiency ratings in the industry, which means they're the economical solution to your heating needs.

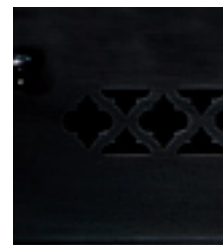
Perhaps the most important feature of our gas inserts is the beauty and drama they add to your room. We think you'll love our gas inserts so much the only question you'll have is: why did you wait so long to convert?



*We hardly ever used our family room because it was so cold and drafty from our masonry fireplace. Thanks to our gas insert, it's become our favorite room.*

**Finishes**

These rich, high-quality finishes are the ultimate in style and durability. They're guaranteed to add depth and beauty to your fireplace and to your room. (Available for both XT and FB insert fronts)



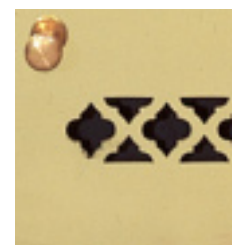
Black



Pewter



Brushed Nickel



Polished Brass



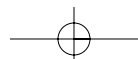
Gr  
an



G  
S



G  
S





Grand-XT shown with optional CHA-GXT-PT front in pewter and GXT-4229-BK surround.

**Grand-XT (Left)** The Grand-XT works great with larger firebox openings and maximizes the view of the fire. Its generous BTU's and sealed combustion chamber provides excellent efficiency and warmth for your home.

**Supreme-XT (Below right)** Our most common insert, the Supreme-XT is sized perfectly to fit into most fireplace openings. Even more, the generous flames provide beauty and warmth for your home setting. Choose from facings with several styles and finishes to create a stunning center-piece in your home.



Supreme-XT shown with optional PRISM-SXT-PB front and SXT-4232-BK surround.

*Customize your XT insert with fronts that express your style.*



**GRAND-XT: DF-GXT (Shown with surround)**  
**SUPREME-XT: DF-SXT**



**IMAGE SERIES (Shown with surround)**  
**SUPREME-XT: SXT-BFF4027**



**PRISM SERIES (Shown with surround)**  
**GRAND-XT: PRISM-GXT (BK, PB, BN, PT)**  
**SUPREME-XT: PRISM-SXT (BK, PB, BN, PT)**



**CHATEAU SERIES (Shown with surround)**  
**GRAND-XT: CHA-GXT (BK, PB, BN, PT)**  
**SUPREME-XT: CHA-SXT (BK, PB, BN, PT)**



**CHATEAU DELUXE SERIES (Shown with surround)**  
**GRAND-XT: CHAD-GXT-PT**  
**SUPREME-XT: CHAD-SXT-PT**



**VISION SERIES**  
**GRAND-XT: GXTR-4232/4832 (BK) (PB)**  
**SUPREME-XT: SXTR-4027/4232**  
**(BK for Black Trim) (PB for Pol Brass)**

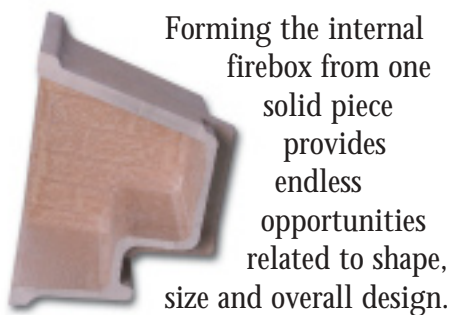
*Our latest innovation. Your favorite room. The result is a stunningly beautiful setting you'll love to come home to.*

Firebrick®, Heat-N-Glo's most recent innovation, is a patented technology that allows us to mold the insert firebox from a ceramic fiber material. The result is the world's only seamless firebox with an embedded brick pattern to precisely replicate a masonry fireplace.

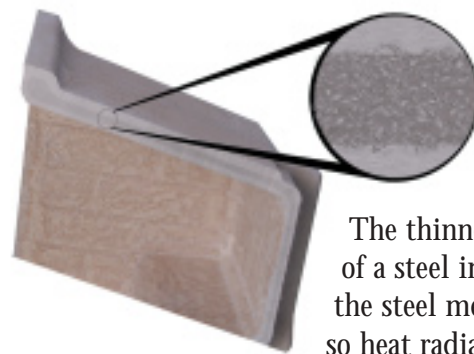
Firebrick inserts have a viewing area in excess of 20% larger than comparable sheet metal inserts. Why sacrifice the viewing area of your existing fireplace when you can install a Firebrick insert and maintain that generous viewing area?

In addition, energy efficient Firebrick inserts generate so much radiant heat that they don't require a fan. This means no noisy blowers, no exposed power cords, and no electricity needed! Should you desire a blower to move heat further into your room, there is a built-in natural convection chamber that allows for the installation of a 160 CFM fan.

To top it off, we offer a wide array of fronts to customize your insert to match the décor in your room. Our latest innovation is sure to put the family back in your family room.



Forming the internal firebox from one solid piece provides endless opportunities related to shape, size and overall design.



The thinnest part of a steel insert is the steel metal box, so heat radiates off

the back and the side of the firebox, resulting in lower efficiency ratings. On Firebrick inserts, tiny air pockets help prevent heat from radiating through the box, allowing it to radiate into your home. Through compression and heat, the outer layers of Firebrick are solidified to create a durable airtight box. The thinnest area of the Firebrick box is now the glass, so heat radiates into the home, resulting in efficiencies of 80-85%.

Additionally, Firebrick fireboxes are painted to emulate the multi-tonal look of a true masonry fireplace.





FB-GRAND shown with optional FBGR-4832-PB Vision door.

**FB-Grand (Left)** Wouldn't it be nice to have an insert that offered the largest viewing area and highest efficiency in the industry, needed no electricity to operate, was whisper quiet, would never rust or tarnish, and had gorgeous flames with a variety of finishing options? Look no further!

**FB-IN (Below)** In the event that the FB-Grand is too large, the FB-IN provides you with all the same great Firebrick features in a size that fits most any need.



FB-IN shown with optional CHAD-FBIN-PT front and trimmed and custom stained Cutting Edge Surround

*Customize your Firebrick insert with fronts that express your style.*



FB-GRAND: DF-FBG (Shown with surround)  
FB-IN: DF-FBIN



PRISM SERIES (Shown with surround)  
FB-GRAND: PRISM-FBG (BK, PB, BN, PT)  
FB-IN: PRISM-FBIN (BK, PB, BN, PT)



CHATEAU SERIES (Shown with surround)  
FB-GRAND: CHA-FBG (BK, PB, BN, PT)  
FB-IN: CHA-FBIN (BK, PB, BN, PT)



CHATEAU DELUXE SERIES  
(Shown with Cutting Edge surround)  
FB-GRAND: CHAD-FBG-PT  
FB-IN: CHAD-FBIN-PT



VISION SERIES  
FB-GRAND: FBGR-4232 (BK, PB)  
FB-GRAND: FBGR-4832 (BK, PB)  
FB-IN: FBINR-4027 (BK, PB)  
FB-IN: FBINR-4232 (BK, PB)

*For more information on Firebrick inserts reference the Firebrick Insert Q&A brochure, or visit our web site: [www.heatnglo.com](http://www.heatnglo.com)*

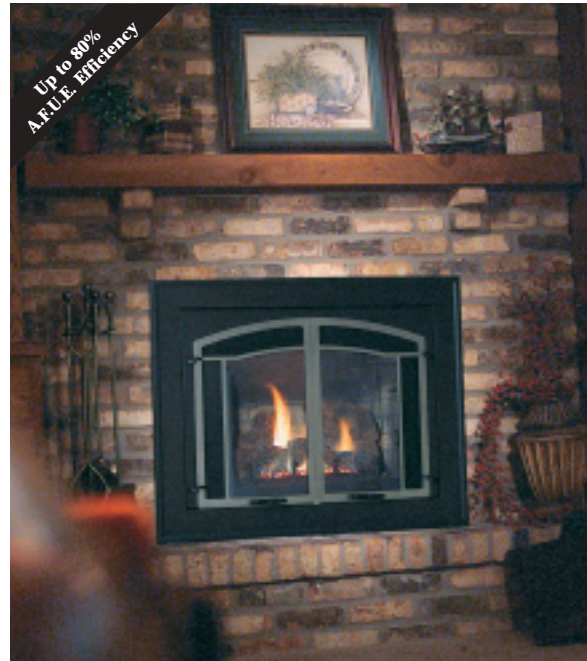
## FB-ZC

The Rekindler (FB-ZC) is specifically designed to fit into the most common 36" zero clearance fireplaces and smaller masonry fireplaces. Its compact, molded design allows for easy installation without cutting away the internal box.

The Rekindler has over 330 square inches of viewing area and the expansive height of the glass area gives it a proportion very similar to your existing fireplace.

The finishing options of the Rekindler further enhance its sizable appearance. The "Infit" surround option for the Rekindler (shown bottom right) fits beautifully into almost every 36" opening and creates a natural transition between the insert and your existing fireplace without covering up existing grilles or beautiful finishing material. Finally, the burn of the Rekindler is representative of what discerning eyes would expect from the industry leader.

Simply put, the Rekindler offers you the convenience, cleanliness, and efficiency of a Heat-N-Glo gas insert without compromising the beauty of your existing fireplace.



FB-ZC shown with optional FBZC-4032-BK-4 surround and PRISM-FBZC-PT mesh door front



FB-ZC shown with optional FBZC-INFIT surround and GDA-FBZC-BK glass doors

## Gas Insert Features

FEATURES	FB-GRAND	FB-IN	FB-ZC	GRAND-XT	SUPREME-XT
Max BTU Input/hr. (NG)	38,000	38,000	29,600	35,500	32,000
Max BTU Input/hr. (LP)	36,000 (LP)	36,000 (LP)	27,000 (LP)	31,000 (LP)	31,000 (LP)
A.F.U.E. Rating	75%	77%	80%	77%	75%
160 CFM Blower	Optional	Optional	Optional	Standard	Standard
Seamless Firebrick Firebox	Standard	Standard	Standard	N/A	N/A
Refractory Kit	N/A	N/A	N/A	Optional	Optional
Installed Junction Box	Standard	Standard	Standard	Standard	Standard
Ceramic Fiber Logs	Standard	Standard	Standard	Standard	Standard
Variable Flame Adjustor	Standard	Standard	Standard	Standard	Standard
Ceramic Glass	Standard	Standard	Standard	Standard	Standard
Standing Pilot	Standard	Standard	Standard	Standard	Standard
Remote Control	Optional	Optional	Optional	Optional	Optional
Cutting Edge Surround	Optional	Optional	N/A	N/A	N/A

# Cutting Edge™ Surround

## For Firebrick® Inserts

Heat-N-Glo's Cutting Edge Surround is the beautiful, affordable alternative for fireplace inserts.

Made from Heat-N-Glo's patented Firebrick® material, the Cutting Edge Surround provides a natural transition between the insert and your existing fireplace. The surround can be trimmed to accommodate your exact dimensions, stained or painted to match the brick or stone in your home, and complemented with a variety of decorative fronts in various styles and finishes.

Perhaps the most impressive feature of the Cutting Edge Surround is its ability to be field trimmed for most custom surround applications. It can be easily cut with everyday tools (Skill saw, Jig saw or hand saw) to allow for a custom inside-fit installation. While previous installations involved a custom black metal shroud that covered your natural stone, the Cutting Edge provides the perfect solution to work with the décor you've so carefully chosen in your home, all the while dramatically reducing the cost of a custom installation.

The Cutting Edge surround is one more reason why Heat-N-Glo's Firebrick inserts should be the choice for your home.



FB-IN, shown with optional FBIN-CHAD-PT front and untrimmed Cutting Edge Surround



FB-IN, shown with optional PRISM-FBIN-BK front and trimmed and stained Cutting Edge Surround

**FBG-4832-EDGE** - 48"W x 32" H  
surround for FB-Grand. New minimum firebox size of 37" W x 27 1/2" H. To maintain its stability the surround should not be trimmed less than 37" W x 28" H.

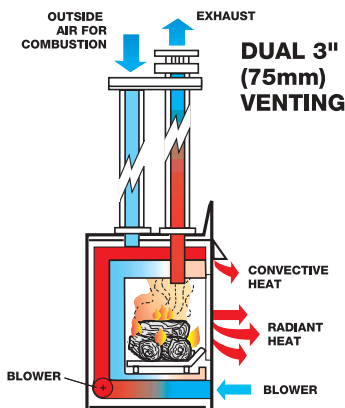
**FBIN-4432-EDGE** - 44"W x 32" H  
surround for FB-IN. New minimum firebox size of 32 1/4" W x 24 1/2" H. To maintain its stability the surround should not be trimmed less than 32 1/2" W x 24 1/2" H.

**Required Tools:** Safety glasses, gloves, face mask, supplied template, pencil, tape, jig saw, skill saw or hand saw, file and/or sanding block, stain or high temp primer and paint. Please refer to the installation instructions provided with the surround for more instructions.

## Eternal Flame Warranty



The strongest in the industry, Heat-N-Glo's Eternal Flame Warranty offers full protection for all gas units, and includes a lifetime warranty on the most important aspects of the fireplace: fiber logs, stainless steel burner, firebox and heat exchanger.



## Heat-N-Glo Direct Vent (Sealed Combustion) Fireplace Inserts

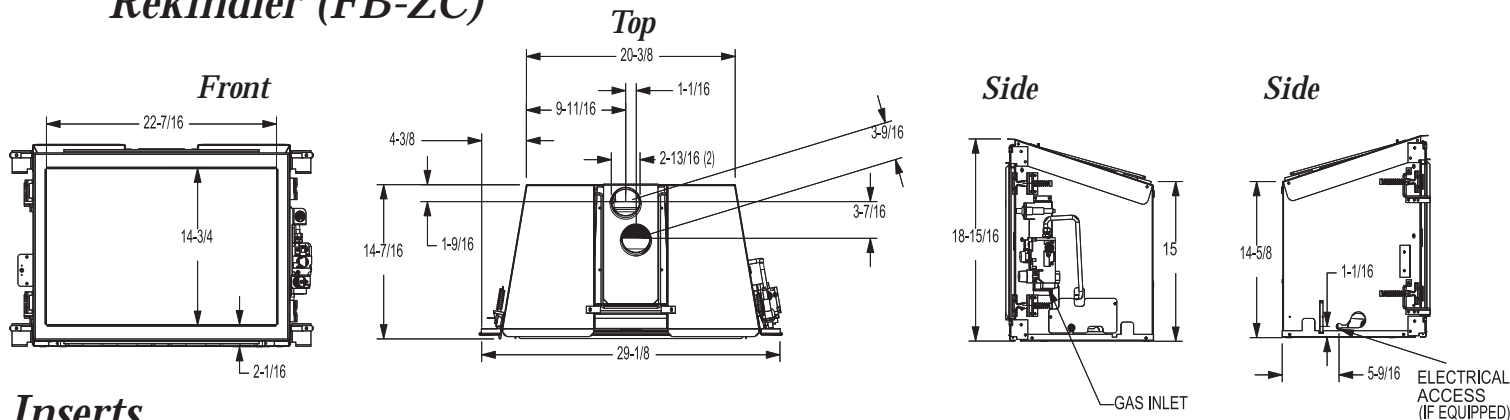
*Offer Heat and Efficiency While Maintaining Indoor Air Quality*

*All Heat-N-Glo fireplace inserts feature our patented Direct Vent Technology. Direct vent products have a sealed combustion firebox that draws air for combustion from the outside, never stealing the warm air from inside your home; nor do they create a cold draft situation. This effective design allows no spillage of combustion gases into the home, thereby maintaining your clean air quality. Heat-N-Glo's patented sealed combustion (direct vent) system gives you energy efficiency and maintains clean indoor air.*

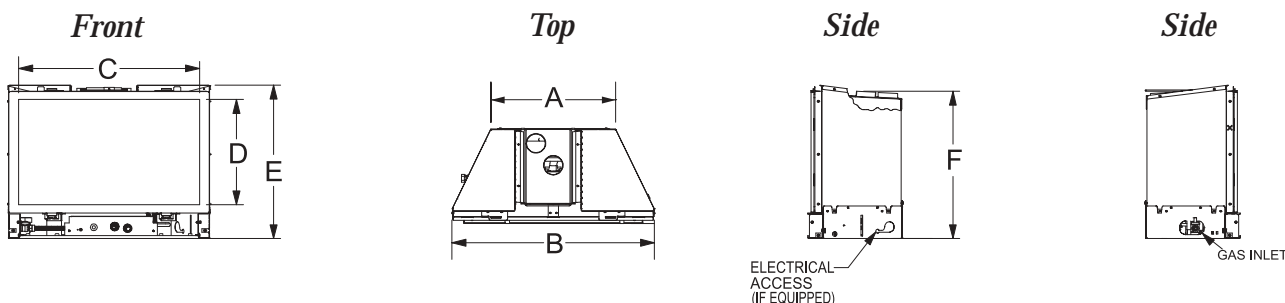
# Gas Insert Line Drawings

See chart below.  
Refer to installation manual for detailed specifications on installing these products.  
Note: Bracketed numbers in blue are millimeters.

## Rekindler (FB-ZC)



## Inserts



# Gas Insert Series Specifications

### INSERT SIZING GUIDE

Minimum dimensions of existing firebox recommended for ease of insert installation

Model	Front Width	Back Width	Height	Depth
FB-Grand	35	22 5/8	25 3/4	14 1/8
FB-IN	30 1/4	19	22 1/2	14 1/8
FB-ZC	30 7/8	20 7/8	19 1/2	15
Grand-XT	33 1/4	24 1/4	22 3/4	13 5/8
Supreme-XT	29 1/4	20 1/4	20 1/4	13 5/8

### MODEL DIMENSIONS

Location	FB-GRAND	FB-IN	GRAND-XT	SUPREME-XT
A	22 1/2	18	33 1/32	20 5/32
B	33 11/16	29 3/16	36 7/8	32 5/16
C	30 9/16	26 1/16	31 15/16	27 25/32
D	18 7/16	15 3/16	14 5/8	12 7/16
E	25 3/8	22 1/8	26 7/8	22 13/32
F	24 1/2	21 3/4	23 5/8	21 5/32

### BTU's Needed, By Square Footage & By Type of Insulation

Square Feet	Up To 200	Up To 400	Up To 600	Up To 800	Up To 1,000
Well Insulated	3,000 BTU	6,000 BTU	9,000 BTU	12,000 BTU	15,000 BTU
Average	6,000 BTU	12,000 BTU	18,000 BTU	24,000 BTU	30,000 BTU
No Insulation	9,000 BTU	18,000 BTU	27,000 BTU	36,000 BTU	45,000 BTU

Chart based upon an area with a ceiling less than 10 feet.  
Above chart is rough estimate only, actual BTU's needed may vary depending on climate, number of windows, insulation, etc.  
The flame and ember appearance may vary based on the type of fuel burned and the venting configuration used.

For complete details on Heat-N-Glo's Gas Insert Series, please contact us:



Heat-N-Glo  
a brand of Hearth & Home Technologies Inc.  
(888) 427-3973 or (952) 985-6000 Fax (952) 985-6001  
Email us at: info@heatnglo.com



Visit our web site at: [heatnglo.com](http://heatnglo.com) or [fireplaces.com](http://fireplaces.com)