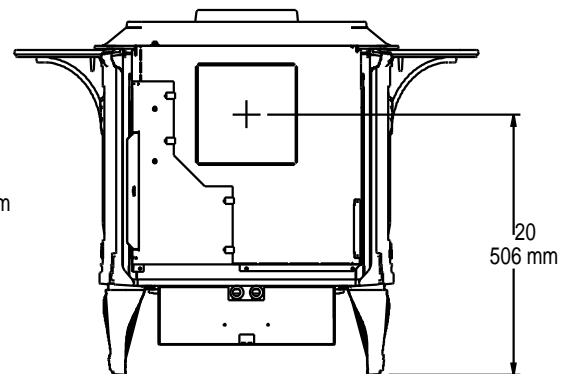
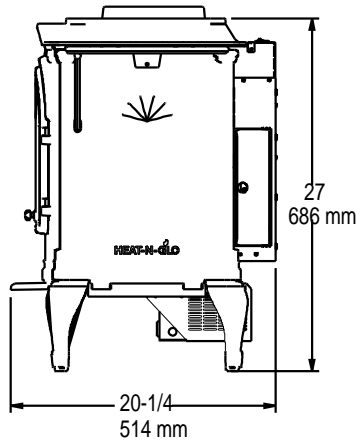
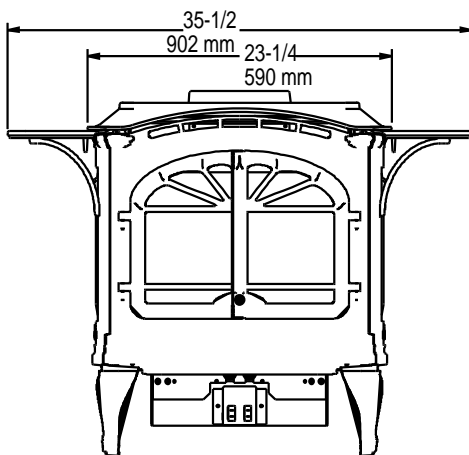
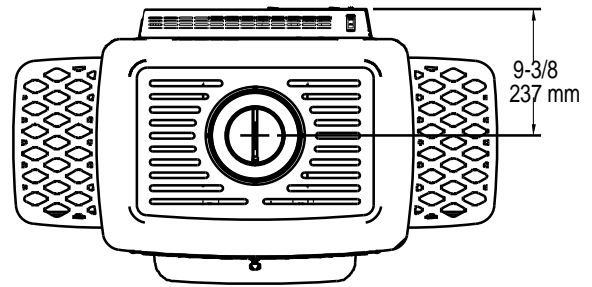
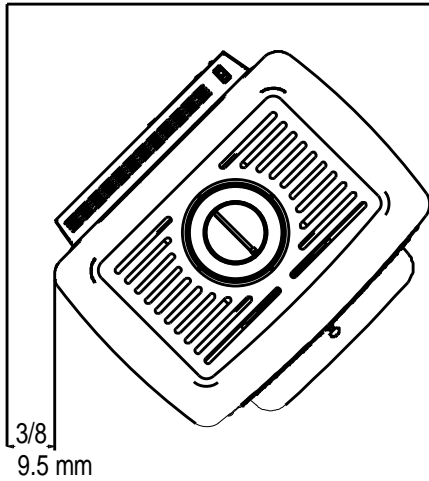


# TIARA I

## DIRECT VENT CAST IRON STOVE



### SPECIFICATIONS

Model	Height	Front Width	Back Width	Depth	Glass Size	BTU Input
TIARA I						
Inches	27	35 1/2	35 1/2	20 1/4	14 x 13 1/4	20,000-28,000 NG 15,500-25,000 LP

Reference dimensions only.

We recommend measuring individual units at installation.