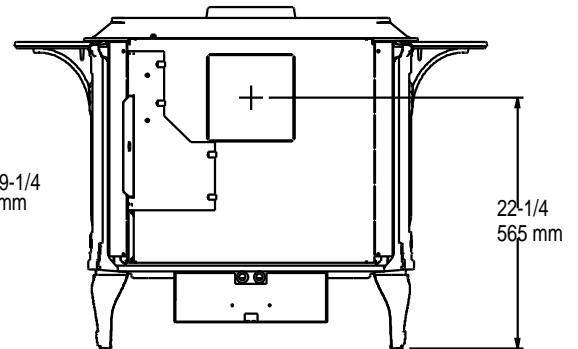
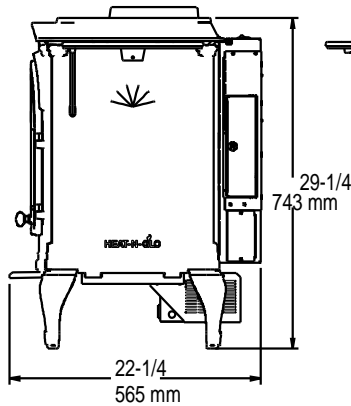
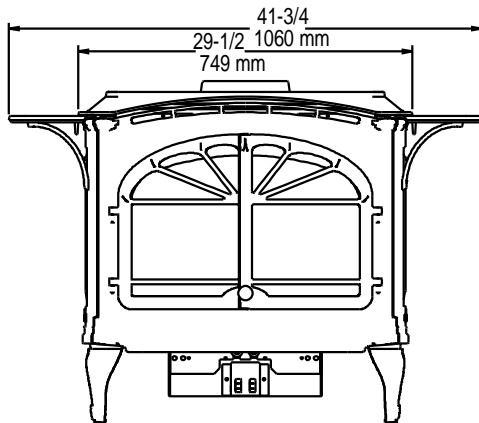
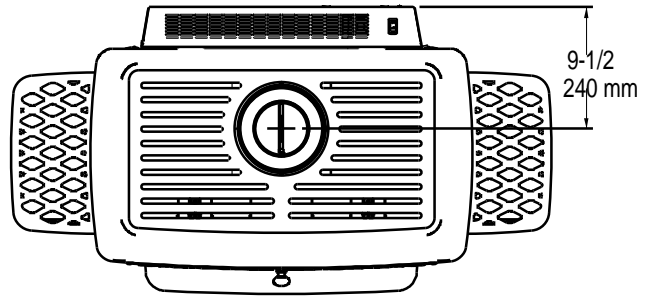
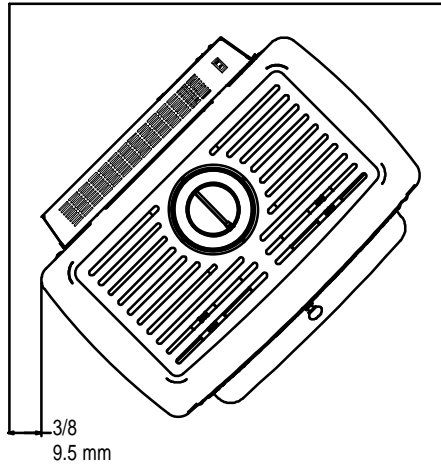


TIARA II

DIRECT VENT CAST IRON STOVE



Important Note: TIARA II must be placed on non-combustable flooring material

SPECIFICATIONS						
Model	Height	Front Width	Back Width	Depth	Glass Size	BTU Input
TIARA II						
Inches	29 1/4	41 3/4	41 3/4	22 1/4	22 1/2 x 14 1/4	27,500-40,000 NG 21,500-37,000 LP

Reference dimensions only.

We recommend measuring individual units at installation.