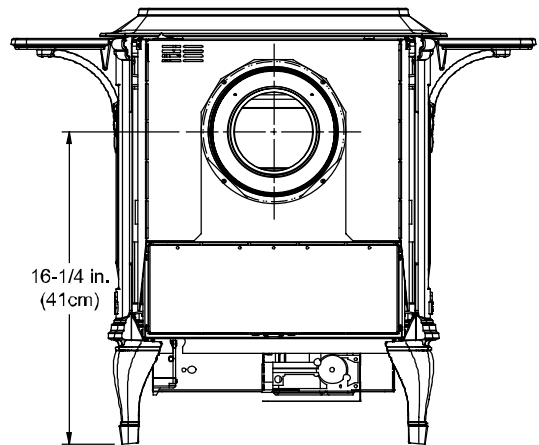
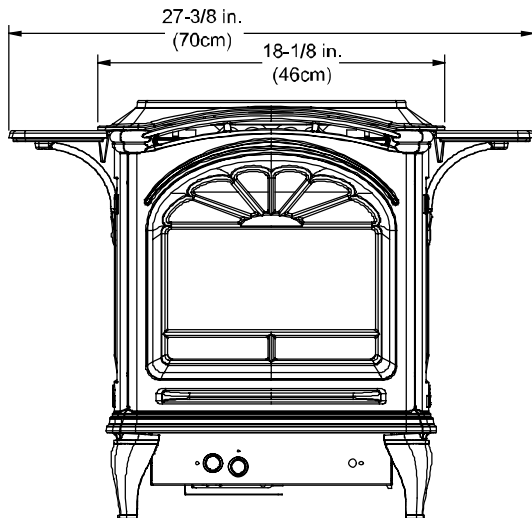


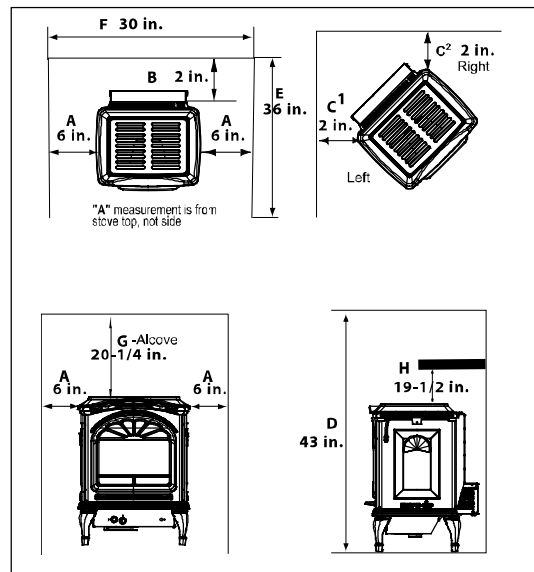
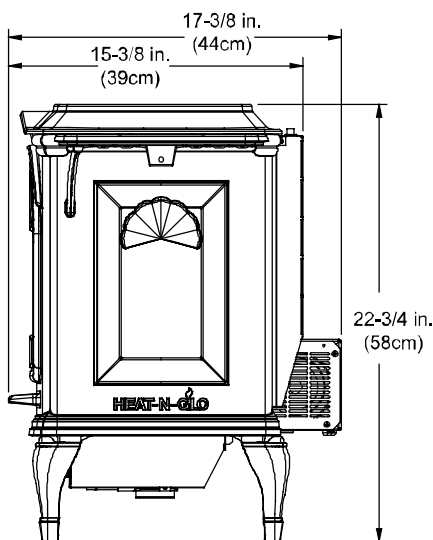
TIARA PETITE

DIRECT VENT CAST IRON STOVE



MINIMUM CLEARANCES TO COMBUSTIBLES

Minimum clearances required from combustible construction for all appliance surfaces.



- A - Side of stove top to side wall..... 6 in. (15cm)
- B - Rear of stove to back wall..... 2 in. (5cm)
- C1 - Corner of stove top to side wall-Left 2 in. (5cm)
- C2 - Corner of stove top to side wall-Right..... 2 in. (5cm)
- D - Minimum alcove height..... 43 in. (109cm)
- E - Maximum alcove depth..... 36 in. (91cm)
- F - Minimum alcove width..... 30 in. (76cm)
- G - Top of stove to alcove ceiling..... 20-1/4 in. (51cm)
- H - Mantle Clearance..... 19-1/2 in. (50cm)

[Note: Diagrams show gas stove equipped with optional blower, Part #GFK-75]

SPECIFICATIONS						
Model	Height with Legs	Front Width	Back Width	Depth	Glass Size	BTU Input
Tiara Petite						
Inches	22 3/4	18 1/8	18 1/8	16 3/16	10.35 H x 12.73 W	11,000 - 17,000 NG

Reference dimensions only. We recommend measuring individual units at installation.