




Gas Fireplaces  
and Gas Inserts





Welcome to the world of Jøtul.  
Or rather to “The spirit of Jøtul”.

“The spirit of Jøtul” is all about a passion for warmth, which has burned brightly since the company began in 1853.

This passion inspires our philosophy “Warmth in every detail” which you can read about on the following pages.

To us heating is much more than physical warmth and coziness, and we apply this philosophy to every stove and fireplace we create. That is why our products provide more than just warmth and coziness. They do of course fulfill both of these functions extremely well, but all the products in this catalogue have so much more to offer.

I and everyone else at Jøtul hope that you will appreciate our broad range of stoves and fireplaces.

“The spirit of Jøtul” was first ignited in 1853 in Norway; it now burns brightly throughout the world. We hope that it will kindle and inspire you too.



Erik Moe, President & CEO

# the spirit of Jøtul

## Contents

Jøtul Warmth Philosophy	4
Jøtul GZ 550 DV II Acadia	6
Jøtul GI 425 DV Camden Classic	8
Jøtul GI 450 DV Katahdin	10
Jøtul Quickface System™	12
Features and Benefits	13
Technical Specifications	14

# Jøtul's warmth philosophy

Where most people consider warmth to mean heating and coziness, experience has taught us there is much more to it than that. In fact, there are six types of warmth: physical warmth and atmospheric warmth, in addition to visual, convenient, durable and sustainable warmth.

We combine our warmth philosophy, Warmth in every detail, with a rich tradition for fine craftsmanship. In doing so we design cast iron stoves and fireplaces that create the ultimate warmth experience.

## Physical warmth

To us, heating is not about creating the highest temperature, it is about creating the most comfortable temperature. Due to an optimum combination of convected and radiated heat our products can provide the most comfortable heat in the most efficient manner. Furthermore, our clean burn technology ensures that up to 90% of the particles and gasses in the smoke are burned, minimizing smoke emission and reducing the chance of smoke entering the room.



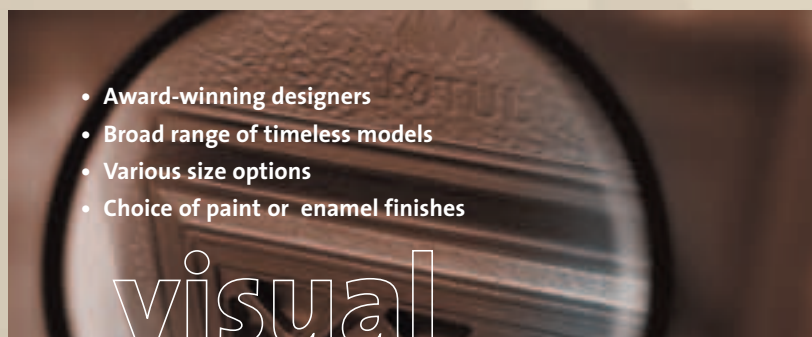
## Atmospheric warmth


Nothing creates an intimate atmosphere quite like a gently crackling fire. And nothing calms you quite like the image of a flame dancing hypnotically on a glowing log. We have always believed in the seductive powers of the visible flame. For this reason, we have developed pioneering flame technology to achieve the perfect flame at all times. Furthermore, we design our hearth products with optimal fire viewing areas, so that our customers can enjoy the full effect.



## Visual warmth

The atmosphere produced by a stove or fireplace is largely dependent on the aesthetic message it sends out. We aim to create a lasting impression in the home and follow our own "design for generations" ideal to give our stoves and fireplaces a timeless appeal. We collaborate with acclaimed design houses in order to design award-winning stoves and fireplaces that outlive trends and retain their timeless beauty for decades.




- 
- Easy to operate
  - Problem-free maintenance
  - Wipe-clean glass and enamel surfaces
  - Simple installation and part replacement

# convenient

#### Convenient warmth


We put an enormous amount of effort into our hearth products so our customers don't have to. The hearth is the centre-piece of the home – it is an essential part of everyday life – and for this reason it should represent total functionality. Everything about a Jøtul product is geared towards our customers' convenience: it is easy to install, easy to use, easy to clean and easy to maintain. Life is already complicated enough, so we make its pleasures a little easier to enjoy.

- 
- Dependable cast iron durability
  - 5-year manufacturing guarantee
  - Minimum 10-year part availability
  - Cast iron heritage since 1853

# durable

#### Durable warmth

Owning a Jøtul stove or fireplace is a lasting experience. Since 1853 we have employed the finest handcrafting techniques in order to provide our customers with long-lasting, durable warmth. Warmth they can trust. Because where fire is involved, safety and security are vital. Cast iron delivers the highest standard of strength and durability. As one of the world's oldest cast iron stove and fireplace manufacturers, no company delivers a longer lasting promise of quality.

- 
- Minimal smoke emissions
  - Recycled materials
  - Hydroelectric-powered production facilities

# sustainable

#### Sustainable warmth

Our understanding of warmth enables us to create the ultimate experience of warmth. Without compromise. All the cast iron we use is recycled. And by relying mostly on hydroelectric power to smelt recycled iron, we keep polluting emissions to an absolute minimum. Furthermore, our clean burn technology ensures that our products boast the most efficient use of energy which also reduces the volumes of particles emitted into the atmosphere. This means our customers can light their hearth products with minimal effect on the environment.

# Jøtul GZ 550 DV II Acadia



JøtulBurner™

## Direct Vent Gas Fireplace

We looked at almost every other zero clearance fireplace around and we couldn't find many fireplaces made of cast iron – all we saw was black tin. So we designed a cast iron fireplace that's not gussied up like a Victorian lady, nor poor plain Jane. We combined the sculptural qualities of cast iron and Jøtul's new revolutionary cast iron and stainless steel burner, the JøtulBurner™, to create a fireplace that's sleek and elegant, restrained enough to enhance any décor. The Jøtul GZ 550 DV II Acadia comes with many options – screens, arched and rectangular faces, antique brick panels (molded from real brick), double doors, remote control, blower fan and more.

## Options

Antique brick panel kit  
(molded from real brick)

Variable speed heat activated blower  
(125 cfm/60 cfm)

Screen for open door fire viewing

Multiple venting installations

Wall thermostat

Remote control

Jøtul Quickface System™  
(See page 12)

Available in three colors



Classic Matte Black Paint



Jøtul Iron™ Paint



Blue/Black Porcelain Enamel



## Features

Revolutionary new JøtulBurner™ delivers unsurpassed gas burner technology and flame picture realism (patent pending)

50% heat control turndown

Elegant cast iron surround panels with Cascading Lattice™

Three position On/Off/T-stat switch

Gas conversion kit included with every stove for use with propane

No electricity required to operate

Handcrafted ceramic fiber logset burns with the warm glow of a wood fire

Standard enameled cast iron fettle and andirons

5 year limited warranty



Jøtul GZ 550 DV II Acadia

*Jøtul GZ 550 DV II Acadia shown here installed in a Premier Mantels corner mantel cabinet with optional Jøtul Quickface System™ accessories and antique brick panel kit*

# Jøtul GI 425 DV Camden Classic

## Direct Vent Gas Insert

With its classic style cast iron surround panel and optional gothic arched double door design, the new Jøtul GI 425 DV Camden Classic gas insert is the perfect fit for small-to-medium sized living spaces. Simple to install and easy to service, the Camden Classic incorporates our patented Jøtul Quickface System™ of optional firebox facings. Named after the village of Camden, a seaside community on the coast of Maine, the Jøtul GI 425 DV Camden Classic gas insert provides furnace-rated heat and 50% heat control turn down. You can tailor the look of your Jøtul GI 425 DV Camden Classic to fit any décor by using these options – arched and rectangular faces with fire screens, antique brick panels (molded from real brick), double doors, remote control, wide cast iron surround panel and a choice of three colors.

### Options

Jøtul Quickface System™ of optional firebox facings including cast iron double door option and rectangular and arched faces with fire screens (see page 12)

Antique brick panel kit (molded from real brick)

Wall thermostat

Remote control

Wide cast iron surround panel (shown on page 10) (48"W x 34"H – must be used with standard surround)

Available in three colors



*Classic Matte Black Paint*



*Jøtul Iron™ Paint*



*Blue/Black Porcelain Enamel*



### Features

Jøtul Quickface System™ of optional firebox facings adds to any room décor

Standard enameled cast iron fettle and andirons

Standard classic surround panel adds decorative flair (40"W X 30"H)

50% heat control turndown

Easy to install in virtually any fireplace

Standard blower fan

Furnace-rated heater

No electricity required to operate

Conversion kit included with unit for use with propane gas

Vents using 3" x 3" co-linear system

5 year limited warranty



*Jøtul GI 425 DV Camden Classic*

*Jøtul GI 425 DV Camden Classic Gas Insert  
shown here in Matte Black Paint with  
optional arched double doors and antique  
brick panel kit*

# Jøtul GI 450 DV Katahdin

## Direct Vent Gas Insert

The Jøtul GI 450 DV Katahdin gas insert offers your home tremendous heat without losing any room space. Our classic cast iron design with A.F.U.E. rated direct vent heating performance...simple to install and easy to service. Named after Mt. Katahdin, Maine's highest peak, the Jøtul GI 450 DV Katahdin will surely bring some Maine charm to your home. Jøtul includes a standard surround (40" wide by 30" high) and offers an optional wide surround (48" wide x 34" high). Also available are a wall thermostat, fire screen, antique brick panels (molded from real brick), and remote control for added comfort in operation.

### Options

Wall thermostat

Remote control

Wide surround (shown at right)  
(must be used w/standard surround)

Fire screen

Antique brick panel kit  
(molded from real brick)

Available in three colors

### Surrounds

Standard with plinth - 40"W x 30"H

Standard without plinth - 40"W x 28"H

Wide (optional) - 48"W x 34"H  
(must be used with standard surround)



*Classic Matte Black Paint*



*Jøtul Iron™ Paint*



*Blue/Black Porcelain Enamel*



### Features

Crafted cast iron with unique interior detailing and intricate enameled decorative side panels

Sculpted cast iron surrounds add classic decorative flair

Dramatic flame picture – realistic ceramic fiber logs burn with the warm glow of a real wood fire

Enameled cast iron fettle and andirons

Easy to install in virtually any fireplace

Standard blower fan

No electricity required to operate

Conversion kit included with every unit for use with propane

Vents using a 3" x 3" co-linear system

Maximum venting is 35 feet

2" riser plinth included w/ every unit

Glass panel 29 1/4"W x 13 1/4"H – one of the industry's largest!

5 year limited warranty



Jøtul GI 450 DV Katahdin

*Jøtul GI 450 DV Katahdin Gas Insert shown here  
in Blue/Black Porcelain Enamel, optional fire  
screen and antique brick panel kit*

# Jøtul Quickface System™

(For Jøtul GZ 550 DV II Acadia & Jøtul GI 425 DV Camden Classic only)



**Arched Face**  
Classic Matte Black,  
with removable screen  
(Also available in Brushed Stainless)



**Rectangular Face**  
Brushed Stainless,  
with removable screen  
(Also available in Classic Matte Black)

It's easy to change the look of your Jøtul GZ 550 DV II Acadia or Jøtul GI 425 DV Camden Classic. By choosing one of two face shapes, offered in two colors (Classic Matte Black or Brushed Stainless), you can customize your Jøtul GZ 550 DV II Acadia or Jøtul GI 425 DV Camden Classic to your particular décor or mood. Or you can enhance your fire viewing experience with the cast iron arched double doors option. Quickly installed, the fully functional doors also allow use of an optional fire screen (Acadia only). Add our antique brick panel kit, shown below, to provide a final, unique accent of authenticity not available in any other zero clearance gas fireplace or gas insert.



**Arched Double Doors (Acadia Only)**  
(Available in Classic Matte Black,  
Jøtul Iron™ Paint or Blue/Black  
Porcelain Enamel)



**Arched Double Doors (Camden Classic Only)**  
(Available in Classic Matte Black or  
Jøtul Iron™ Paint or Blue/Black  
Porcelain Enamel)



**Fire Screen (Acadia Only)**



**Antique Brick Panel Kit**



*Here the brushed stainless Arched Face on the Jøtul GZ 550 DV II Acadia enlivens this contemporary interior.*

# Jøtul Fireplace & Insert Features and Benefits

## **Trim-cooling Manifold System™ (Acadia Only)**

This means you have the ability to frame or sheetrock right up to the unit—a TRUE zero clearance and cost effective installation!

## **Available in Three Colors**

You can color coordinate more easily with more than one color option. We offer three, Classic Matte Black Paint, Jøtul Iron™ Paint or Blue/Black Porcelain Enamel.

## **Ceramic Glass & Advanced Heat Exchange**

All Jøtul gas fireplaces & inserts are furnace rated. That means heat! In laymen's terms: great heating capacity with minimal heat loss.

## **Cast Iron Double Door Options (Acadia and Camden Classic Only)**

Our signature – no one does it as well as Jøtul!

## **Handcrafted Ceramic Fiber Log Set**

Really, they are ceramic! Enhanced realism including glowing ember beds will fool the eyes. There are no visible burner parts. We have worked hard to produce the warm glow of a wood fire.

## **Proven & Classic Design**

You get the intricate lines, gentle curves and decorative lattice work that is only possible when your fireplace or insert is crafted by award winning designers.

## **Optimal Fire Viewing Area**

Jøtul has always placed a premium on large fire viewing areas. Our fireplaces and inserts continue to set the standard for the industry.

## **Jøtul Quickface System™ of Optional Firebox Facings (Acadia and Camden Classic Only)**

This system of modular facings lets you change the look of your fireplace or insert to best fit with existing décor. The tool-free installation of these options makes the conversion easy for anyone.

## **Standard Enameled Cast Iron Fettle & Andiron**

More details which enhance the realism of the wood fireplace look. Plus: enamel means no rusting!

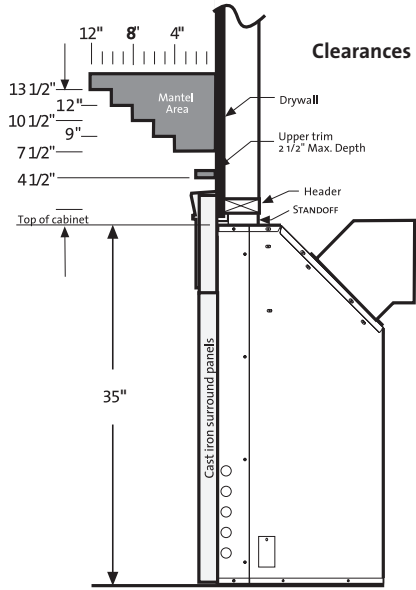
## **Antique Brick Panel Kit Options**

An industry first! Molded from real brick, it is proof that we will stop at nothing to create the most attractive and authentic looking fireplace or insert you can buy!

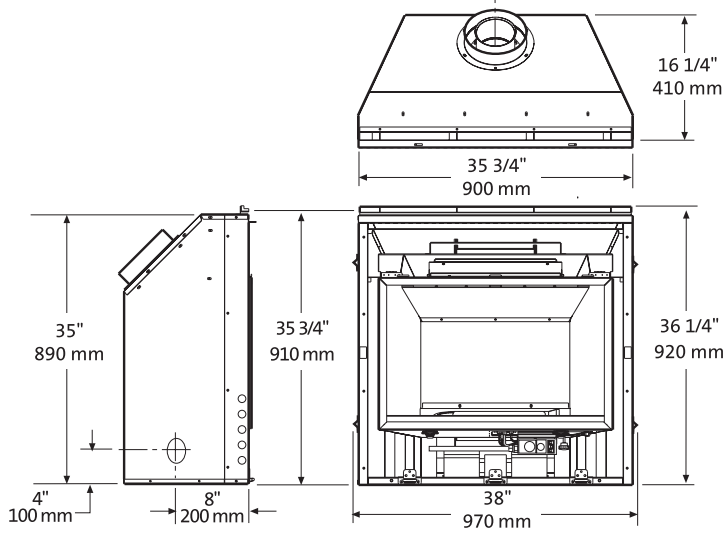


*Jøtul Quickface System™*

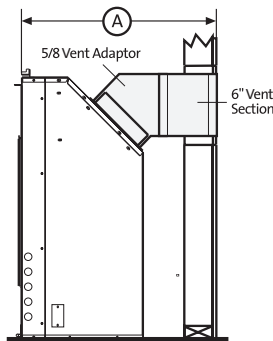
# Jøtul GZ 550 DV II Acadia



## Dimensional Views

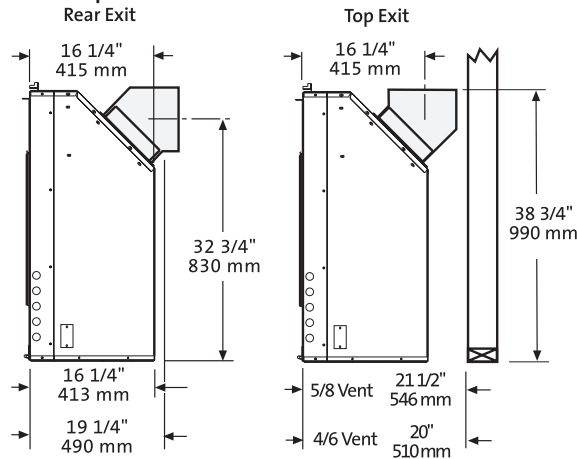


## Minimum Horizontal Vent Length

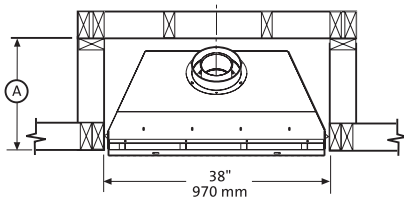


**Security Vent:**  
A = 25 1/4" (645 mm)  
*Security Termination has no slip adjustability.*  
**Simpson DuraVent and Amerivent:**  
A = 25 3/4" (660 mm)

## Vent Adapter Center Lines



## Parallel Framing Plan



**Horizontal Vent:** Minimum depth accommodates the length of Vent Adaptor and one 6' vent section through wall construction.

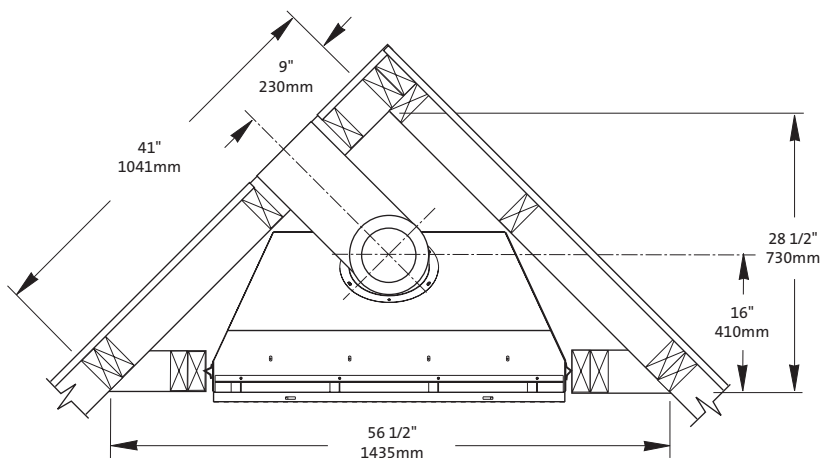
Vent Adaptor: 5/8  
A = 21 3/4"

**Vertical Vent:** Minimum depth includes 1 inch clearance between Vent Adaptor and combustible wall construction.

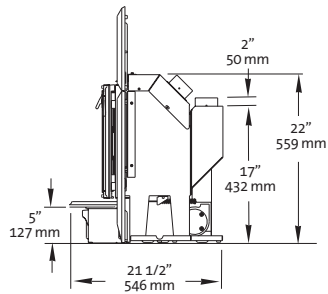
Vent Adaptor: 5/8 4/6  
A = 21 1/2" 20"

Horizontal Framing Height = 36 1/2"

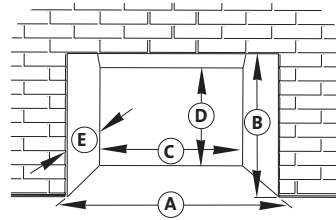
## Corner Dimensions



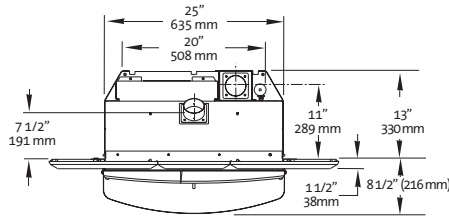
# Jøtul GI 425 DV Camden Classic



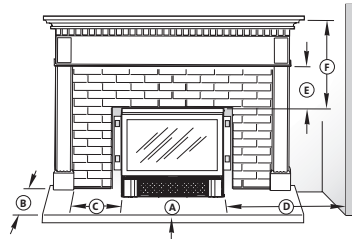
## Minimum Fireplace Dimensions



- A: Opening Width = 28" (711 mm)
- B: Opening Height = 22" (559 mm)
- C: Back Wall Width = 20" (508 mm)
- D: Back Wall Height = 20" (508 mm)
- E: Depth = 13" (330 mm)

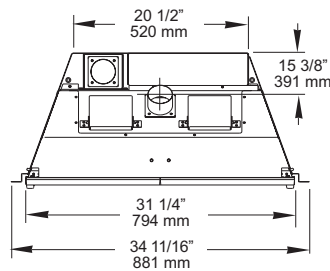
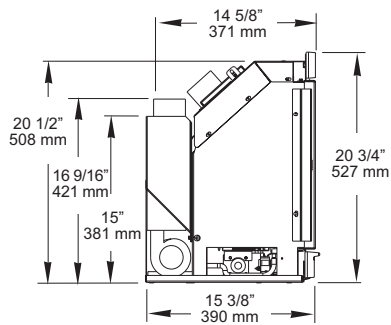


## Wall and Mantel / Trim Clearances

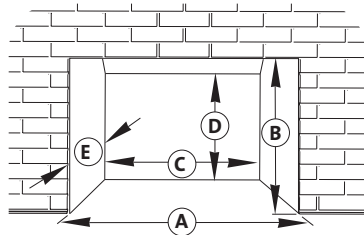


- A: Hearth Protection Width - None required
- B: Hearth Protection Depth - None required
- C: Side Trim clearance 1" thick (25 mm) = 9.5 in. (241 mm)
- D: Side Room Wall Clearance = 27.5 in. (698 mm)
- E: Top Trim Clearance = 17 1/2 in. (444 mm)
- F: Mantel Clearance at 9 in. max. depth = 27.5 in. (698 mm)  
Mantel Clearance at 3.5 in max. depth = 19.5 in. (495 mm)

# Jøtul GI 450 DV Katahdin

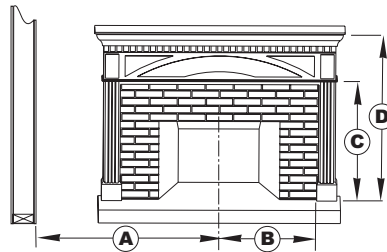


## Minimum Fireplace Dimensions



- A: Opening Width = 32 1/2" (825 mm)
- B: Opening Height = 20" (508 mm)
- C: Back Wall Width = 21" (533 mm)
- D: Back Wall Height = 17" (431 mm)
- E: Depth = 15" (381 mm)

## Wall and Mantel / Trim Clearances



- Measure clearance from the center and finished floor of the fireplace opening
- A: 40" (1016 mm) to a side wall
  - B: 22" (559 mm) to side trim, 1 1/2" or less
  - C: 36" (867 mm) to top trim, 1 1/2" or less
  - D: 38" (915 mm) to a mantel, max. depth 14 1/2"



Model	Jøtul GZ 550 DV II Acadia		Jøtul GI 425 DV Camden Classic		Jøtul GI 450 DV Katahdin	
Venting	Direct Vent		Direct Vent		Direct Vent	
Heating Capacity <sup>1</sup>	Up to 1,400 sq. ft.		Up to 1,200 sq. ft.		Up to 1,500 sq. ft.	
Min/Max Heat Input (BTU/hr)	14,000-28,000 (NG) 14,000-28,000 (LP)		13,000-26,000 (NG) 13,000-26,000 (LP)		26,000-33,000 (NG) 26,000-33,000 (LP)	
Efficiency <sup>2</sup>	up to 88% (A.F.U.E. 76%)		up to 86% (A.F.U.E. 73%)		up to 87% (A.F.U.E. 73%)	
Safety Features	Sealed System		Sealed System		Sealed System	
Optional Blower	Yes		Standard		Standard	
Optional Wall Thermostat	Yes		Yes		Yes	
Optional Remote control	Yes		Yes		Yes	
<b>Dimensions</b>						
Height	36 1/4" front		22"		20"	
Width	38" front 23 1/2" back		28"		32 1/4"	
Depth <sup>2</sup>	17 1/4"		21 1/2" (13" min. fireplace depth)		15 1/3"	
Weight	275 lbs.		155 lbs.		155 lbs.	
Venting	Simpson GS/ AmeriVent/ Security/ Selkirk		Simpson S/ AmeriVent/ Security/ Selkirk		Simpson GS/ AmeriVent/ Security/ Selkirk	
Surround Dimensions	41" W x 37" H		40" W x 30" H		40" W x 30" H	
<b>Clearances</b>						
Rear	<b>US</b>	<b>CAN</b>	<b>US</b>	<b>CAN</b>	<b>US</b>	<b>CAN</b>
1" Side Trim	0" (zero clearance)		n/a		n/a	
Side Room Wall	4 1/2"	114 mm	9 1/2"	241mm	9 1/4"	235mm
Corner	10"	254mm	27 1/2"	698mm	17"	432mm
3 1/2" deep mantel	0"		n/a		n/a	
Minimum Fireplace Dimensions	7 1/2"	191mm	19"	482mm	18"	457mm
	n/a		28"W x 13"D x 22"H		32 1/2"W x 15"D x 20"H	

<sup>1</sup> Heating Capacity will vary depending on the design of the home, climate, operation and venting configuration.

<sup>2</sup> Depth dimension includes ashlip for Camden gas insert.

<sup>3</sup> Maximum venting configuration



### **Warranty**

Our 5 year warranty: a cast iron promise of quality. Jøtul guarantees the quality of its cast iron components against any defects in materials or workmanship for five years, subject to the exclusions and limitations noted on our warranty. For complete details, ask your Authorized Jøtul Dealer.

### **Installation**

Specifications and dimensions published in this brochure are intended to be used as guidelines for comparison only. Always consult the owner's manual in planning any installation. Specifications and dimensions are subject to change without notice. Contact local building or fire officials regarding restrictions and installation inspection requirements in your area.

### **Photographs**

Some settings for the photographs are for aesthetic purposes only and may not comply with installation requirements. Materials, specifications, accessories, colors, and models are subject to change without notice.

Some models are shown with optional accessories.

BTU ratings are to be used as a guideline only, and do not imply a guarantee of the heating capacity of the unit.

Ask your authorized Jøtul Dealer about our full line of cast iron wood and gas stoves, inserts and fireplaces.



Jøtul North America  
55 Hutcherson Drive  
Gorham, Maine 04038

[www.jotulflame.com](http://www.jotulflame.com)



**Gas Fireplaces  
and Gas Inserts**

Printed in U.S.A.  
July 2005

