



Gas Stoves



Welcome to the world of Jøtul.  
Or rather to “The spirit of Jøtul”.

“The spirit of Jøtul” is all about a passion for warmth, which has burned brightly since the company began in 1853.

This passion inspires our philosophy “Warmth in every detail” which you can read about on the following pages.

To us heating is much more than physical warmth and cosiness, and we apply this philosophy to every stove and fireplace we create. That is why our products provide more than just warmth and cosiness. They do of course fulfill both of these functions extremely well, but all the products in this catalogue have so much more to offer.

I and everyone else at Jøtul hope that you will appreciate our broad range of stoves and fireplaces.

“The spirit of Jøtul” was first ignited in 1853 in Norway; it now burns brightly throughout the world. We hope that it will kindle and inspire you too.

A handwritten signature in black ink, appearing to read 'Erik Moe', written over a thin vertical line.

Erik Moe, President & CEO

# the spirit of Jøtul

## Contents

Jøtul Warmth Philosophy	4
Jøtul GF 100 DV II Nordic QT	6
Jøtul GF 200 DV II Lillehammer	8
Jøtul GF 300 DV/BV Allagash	10
Jøtul GF 400 DV/BV Sebago	12
Jøtul GF 600 DV II Firelight	14
JøtulBurner™/Jøtul Heat Fin™	16
Technical Information	18

# Jøtul's warmth philosophy

Where most people consider warmth to mean heating and cosiness, experience has taught us there is much more to it than that. In fact, there are six types of warmth: physical warmth and atmospheric warmth, in addition to visual, convenient, durable and sustainable warmth.

We combine our warmth philosophy, Warmth in every detail, with a rich tradition for fine craftsmanship. In doing so we design cast iron stoves and fireplaces that create the ultimate warmth experience.

## Physical warmth

To us, heating is not about creating the highest temperature, it is about creating the most comfortable temperature. Due to an optimum combination of convected and radiated heat our products can provide the most comfortable heat, in the most efficient manner. Furthermore, our clean burn technology ensures that up to 90% of the particles and gasses in the smoke are burned, minimizing smoke emission and reducing the chance of smoke entering the room.



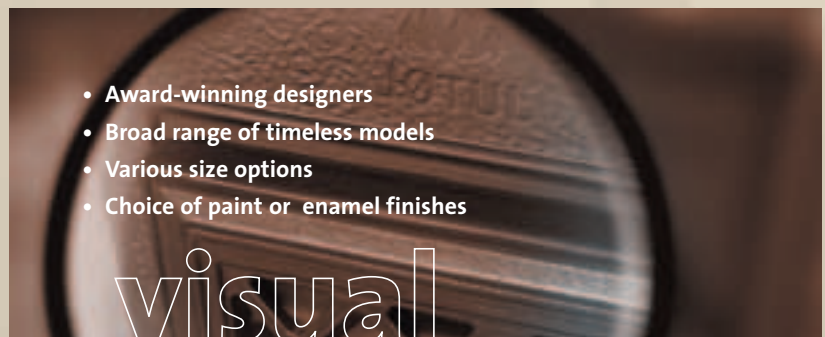
## Atmospheric warmth

Nothing creates an intimate atmosphere quite like a gently crackling fire. And nothing calms you quite like the image of a flame dancing hypnotically on a glowing log. We have always believed in the seductive powers of the visible flame. For this reason, we have developed pioneering flame technology to achieve the perfect flame at all times. Furthermore, we design our hearth products with optimal fire viewing areas, so that our customers can enjoy the full effect.



## Visual warmth

The atmosphere produced by a stove or fireplace is largely dependent on the aesthetic message it sends out. We aim to create a lasting impression in the home and follow our own "design for generations" ideal to give our stoves and fireplaces a timeless appeal. We collaborate with acclaimed design houses in order to design award-winning stoves and fireplaces that outlive trends and retain their timeless beauty for decades.



- Easy to operate
- Problem-free maintenance
- Wipe-clean glass and enamel surfaces
- Simple installation and part replacement

# convenient

- Dependable cast iron durability
- 5-year manufacturing guarantee
- Minimum 10-year part availability
- Cast iron heritage since 1853

# durable

- Minimal smoke emissions
- Recycled materials
- Hydroelectric-powered production facilities

# sustainable

#### Convenient warmth

We put an enormous amount of effort into our hearth products so our customers don't have to. The hearth is the centre-piece of the home – it is an essential part of everyday life – and for this reason it should represent total functionality. Everything about a Jøtul product is geared towards our customers' convenience: it is easy to install, easy to use, easy to clean and easy to maintain. Life is already complicated enough, so we make its pleasures a little easier to enjoy.

#### Durable warmth

Owning a Jøtul stove or fireplace is a lasting experience. Since 1853 we have employed the finest handcrafting techniques in order to provide our customers with long-lasting, durable warmth. Warmth they can trust. Because where fire is involved, safety and security are vital. Cast iron delivers the highest standard of strength and durability. As one of the world's oldest cast iron stove and fireplace manufacturers, no company delivers a longer lasting promise of quality.

#### Sustainable warmth

Our understanding of warmth enables us to create the ultimate experience of warmth. Without compromise. All the cast iron we use is recycled. And by relying mostly on hydroelectric power to smelt recycled iron, we keep polluting emissions to an absolute minimum. Furthermore, our clean burn technology ensures that our products boast the most efficient use of energy which also reduces the volumes of particles emitted into the atmosphere. This means our customers can light their hearth products with minimal effect on the environment.

# Jøtul GF 100 DV II Nordic QT



JøtulBurner™

## Direct Vent Gas Stove

Using a Norwegian sweater pattern design, Jøtul's most compact freestanding gas stove – the Jøtul GF 100 DV II Nordic QT – offers zero clearance for easy, low cost installations. Perfect for your bedroom or bathroom, the GF 100 DV II Nordic QT optimizes Jøtul's revolutionary cast iron and stainless steel burner, the JøtulBurner™, to deliver exceptional flame picture realism with minimal heat loss. Options like a wall thermostat, mobile home approved floor bracket kit, variable speed blower fan kit, antique brick panel kit, remote control, a choice of enamel colors and our Jøtul Iron™ or Classic Matte Black Paint enhance an already user-friendly heating system.

## Options

Antique brick panel kit (molded from real brick)

Wall thermostat

Remote control

Variable speed blower fan kit

Floor bracket kit (for mobile home installations)

Choice of porcelain enamel colors

Jøtul Iron™ or Classic Matte Black Paint



## Features

Revolutionary new JøtulBurner™ delivers unsurpassed gas burner technology and flame picture realism (patent pending)

50% heat control turn down

Handcrafted ceramic fiber log set burns with the glowing warmth of a real wood fire

Durable, furniture quality cast iron construction

No electricity required to operate

Zero clearance rear vent capability

Ability to corner vent without snorkel or tall cap

Large fire viewing area

ON/OFF/Thermostat switch

Natural convection for increased air circulation

Vent restrictors included for vertical terminations

Conversion kit included with stove for use with propane gas

Mobile home approved

5 year limited warranty

Classic Matte Black Paint



Jøtul Iron™ Paint



Jøtul Iron™ Enamel



Blue/Black Porcelain Enamel



Ivory Porcelain Enamel





Jøtul GF 100 DV II Nordic QT

*Jøtul GF 100 DV II Nordic QT shown here  
in Ivory Porcelain Enamel and optional  
antique brick panel kit*

# Jøtul GF 200 DV II Lillehammer



*JøtulBurner™*

## Direct Vent Gas Stove

Jøtul's often imitated open door fire viewing feature has been designed into the Jøtul GF 200 DV II Lillehammer. Incorporating Jøtul's new revolutionary cast iron and stainless steel burner, the JøtulBurner™, the Jøtul GF 200 DV II Lillehammer is the perfect stove for your bedroom...or any other room in your home. Options available for the Jøtul GF 200 DV II Lillehammer include: variable speed blower fan kit, antique brick panel kit (molded from real brick), screen for open door fire viewing, floor bracket kit (for mobile home installations), wall thermostat, remote control, a choice of three enamel colors or Classic Matte Black or Jøtul Iron™ Paint.

## Options

Antique brick panel kit (molded from real brick)

Wall thermostat

Variable speed blower fan kit

Screen for open door fire viewing

Remote control

Floor bracket kit (for mobile home installations)

Choice of plinth or long legs (8")

Choice of porcelain enamel colors

Jøtul Iron™ or Classic Matte Black Paint



## Features

Revolutionary new JøtulBurner™ delivers unsurpassed gas burner technology and flame picture realism (patent pending)

50% heat control turn down

Durable, furniture quality cast iron construction

ON/OFF/T-stat switch

Handcrafted ceramic fiber log set burns with the glowing warmth of a real wood fire

Ability to corner vent without snorkel or tall cap

Conversion kit included with stove for use with propane gas

No electricity required; easy-to-operate ignition system

Zero clearance rear vent capability

Natural convection for increased air circulation

Vent restrictors included for vertical terminations

Mobile home approved

5 year limited warranty

*Classic Matte Black Paint*



*Jøtul Iron™ Paint*



*Jøtul Iron™ Enamel*



*Blue/Black Porcelain Enamel*



*Ivory Porcelain Enamel*





Jøtul GF 200 DV II Lillehammer

*Jøtul GF 200 DV II Lillehammer shown here  
in Jøtul Iron™ Paint, optional antique  
brick panel kit, and fire screen*

# Jøtul GF 300 DV/BV Allagash



JøtulBurner™



Jøtul Heat Fin™

## Direct Vent or B-vent Gas Stove

As rugged as the wilderness waterway that bears its name, the Jøtul GF 300 DV/BV Allagash presents the perfect union of efficiency and beauty. Its classic lines and Gothic arch styling frame a hand-crafted logset, flame and glowing embers with a realism unrivaled in the hearth industry. Fueled by the quiet durability of our revolutionary new cast iron and stainless steel burner - the JøtulBurner™, this stove is created to endure. Incorporating Jøtul Heat Fin™ technology, no other stove this size heats with such efficiency. With its 50% heat control turn down capability, the Jøtul GF 300 DV/BV Allagash fulfills the heat requirements of a variety of living spaces. Options include an antique brick panel kit, wall thermostat, remote control, mobile home approved floor bracket kit, variable speed blower kit, fire screen for open door viewing, a short leg kit for fireplace installations, a choice of three enamel colors and Jøtul Iron™ or Classic Matte Black Paint.

## Options

Antique brick panel kit (molded from real brick)

Wall thermostat

Remote control

Floor bracket kit (for mobile home installations)

Top plate filler (for B-vent rear exit installations only)

Variable speed blower fan kit

Screen for open door fire viewing

Short leg kit for fireplace installations

(reduces height by 2 1/4")

Choice of three enamel colors

Jøtul Iron™ or Classic Matte Black Paint



## Features

Revolutionary new JøtulBurner™ delivers unsurpassed gas burner technology and flame picture realism (patent pending)

Handcrafted ceramic fiber log set burns with the glowing warmth of a real wood fire

Standard reversible flue collar for top or rear exit capability

Large fire viewing area with open door capability – an industry pioneer!

Durable, furniture quality cast iron construction

ON/OFF/Thermostat switch

Natural convection for increased air circulation

Vent restrictors included for vertical terminations (Direct Vent only)

Jøtul Heat Fin™ technology means great heating capacity with a minimum of heat loss

Pre-wired for blower fan kit

No electricity required to operate stove

Conversion kit included with stove for use with propane gas

5 year limited warranty

Classic Matte Black Paint



Jøtul Iron™ Paint



Jøtul Iron™ Enamel



Blue/Black Porcelain Enamel



Ivory Porcelain Enamel





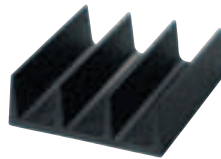
Jøtul GF 300 DV/BV Allagash

*Jøtul GF 300 DV Allagash  
shown here in Blue/Black  
Porcelain Enamel with,  
optional antique brick  
panel kit and fire screen*

# Jøtul GF 400 DV/BV Sebago



JøtulBurner™



Jøtul Heat Fin™

## Direct Vent or B-Vent Gas Stove

Beauty and efficient operation come alive within the Jøtul GF 400 DV/BV Sebago. Handsomely detailed in cast iron, this stove's nautical styling recalls the coves and shores of Lake Sebago, locked between the ocean and the mountains of Maine. A new edition to the Jøtul Family, this stove incorporates our innovative new cast iron and stainless steel JøtulBurner™ - a revolution in gas flame technology. Our Jøtul Heat Fin™ technology delivers maximum efficiency and minimal heat loss, plus a 50% heat control turndown provides a wide range of heating capacity. With a hand-crafted logset and with options such as an antique brick panel kit, a variable speed blower fan kit, short leg kit for fireplace installations, screen for open door fire-viewing, a choice of three enamel colors and Jøtul Iron™ or Classic Matte Black Paint, this stove presents the perfect focal point for any living space.

## Options

Antique brick panel kit (molded from real brick)

Wall thermostat

Remote control

Floor bracket kit (for mobile home installations)

Variable speed blower fan kit

Screen for open door fire viewing

Short leg kit for fireplace installations

(reduces height by 2 1/4")

Choice of three enamel colors

Jøtul Iron™ or Classic Matte Black Paint



## Features

Revolutionary new JøtulBurner™ delivers unsurpassed gas burner technology and flame picture realism (patent pending)

Handcrafted ceramic fiber log set burns with the glowing warmth of a real wood fire

Standard reversible flue collar for top or rear exit capability

Large fire viewing area with open door capability – an industry pioneer!

Durable, furniture quality cast iron construction

ON/OFF/Thermostat switch

Vent restrictors included for vertical terminations

Jøtul Heat Fin™ technology means great heating capacity with a minimum of heat loss

Pre-wired for blower fan kit

No electricity required to operate stove

Conversion kit included with stove for use with propane gas

5 year limited warranty

Classic Matte Black Paint



Jøtul Iron™ Paint



Jøtul Iron™ Enamel



Blue/Black Porcelain Enamel



Ivory Porcelain Enamel





Jøtul GF 400 DV/BV Sebago

*Jøtul GF 400 DV Sebago shown here in Jøtul Iron™ Paint with, optional antique brick panel kit and fire screen*

# Jøtul GF 600 DV II Firelight



*JøtulBurner™*

## Direct Vent Gas Stove

A warm, wonderful centerpiece for your hearth and home. Fueled by Jøtul's revolutionary cast iron and stainless steel burner, the JøtulBurner™, and featuring the largest fire viewing area of any gas stove in the industry, the Jøtul GF 600 DV II Firelight is created to endure. With its 50% heat control turn down capability, the Jøtul GF 600 DV II Firelight fulfills the heat requirements of a variety of living spaces. Options available to complete your ideal stove package: firescreen for open door viewing, antique brick panel kit, wall thermostat, remote control, mobile home approved floor bracket kit, a variable speed blower kit, and a choice of three enamel colors, Jøtul Iron™ or Classic Matte Black Paint.

## Options

- Screen for open door fire viewing
- Antique brick panel kit (molded from real brick)
- Wall thermostat
- Remote control
- Floor bracket kit (for mobile home installations)
- Variable speed blower fan kit
- Choice of three enamel colors
- Jøtul Iron™ or Matte Black Paint



*Classic Matte Black Paint*



*Jøtul Iron™ Paint*



*Jøtul Iron™ Enamel*



*Blue/Black Porcelain Enamel*



*Ivory Porcelain Enamel*



## Features

Revolutionary new JøtulBurner™ delivers unsurpassed gas burner technology and flame picture realism

50% heat control turn down

Largest fire viewing area available in a freestanding gas stove with open door fire viewing - an industry pioneer!

Hand-crafted ceramic fiber log set burns with the glowing warmth of a real wood fire

Conversion kit included with stove for use with propane gas

No electricity required; easy-to-operate ignition system

ON/OFF/Thermostat switch

Standard reversible flue for top or rear exit capability

Vent restrictors included for vertical terminations

Mobile home approved

5 year limited warranty



*Jøtul GF 600 DV II Firelight*

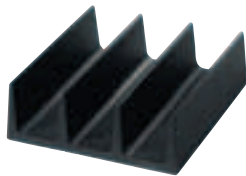
*Jøtul GF 600 DV II Firelight  
shown here in Jøtul Iron™  
Enamel with optional antique  
brick panel kit and fire screen*

# JøtulBurner™/Heat Fin™ Technology

This cutaway view of the Jøtul GF 300 DV Allagash illustrates the air flow through a direct vent system and also how the fire's heat is transferred into your home. Fresh air enters through the outer vent pipe and is directed to the bottom of the firebox to mix with gas inside and above the patent-pending JøtulBurner™.

Gas enters the burner through a control valve, mixes with combustion air and passes through the burner porting where it ignites, creating a realistic "wood-burning" flame. Exhaust gas exits out of the system through the inner vent pipe.

All Jøtul gas stoves deliver heat to your home in two ways; radiant and convection air. Radiant heat is given off through the large front glass panel and off of the cast iron plates of the stove itself. Convection heat is produced by air that is heated as it flows around the firebox and over the cast iron Jøtul Heat Fins™ at the top of the firebox, before passing through the expansive latticework of the top plate. An optional blower can be added to aid the convection process.



*Jøtul Heat Fin™*

## Jøtul Heat Fin™

Jøtul's patented Heat Fin™ technology allows for exceptional heat transference. Made of quality Jøtul cast iron, the fins create natural heat channels that extract heat from the appliance and into your home



*JøtulBurner™*

## JøtulBurner™ (patent-pending)

The JøtulBurner™ is constructed of a quality cast iron base mated to a heavy-grade stainless steel porting plate. Our custom machine process "crimps" these parts together allowing the top to "float" on the base, thereby alleviating stress and providing great durability.

- INCOMING AIR
- GAS
- EXHAUST
- CONVECTION AIR (HEAT)



# Gas Vent Guidelines

## Direct Vent Systems

A direct vent gas appliance is a closed combustion system that takes its combustion air from outside the home. Using either a co-axial pipe (a pipe within a pipe) or a co-linear system to both take air in for combustion and exhaust products of combustions

## Coaxial Vent

A co-axial vent consists of a smaller pipe within a larger pipe, most commonly a 4-inch pipe inside a 6 5/8 inch pipe. This type of venting pipe is used when the venting goes horizontally and passing through an outside wall or goes vertically and will penetrate the roof. A specific termination cap is used that separates exhaust gases from the incoming combustion air.



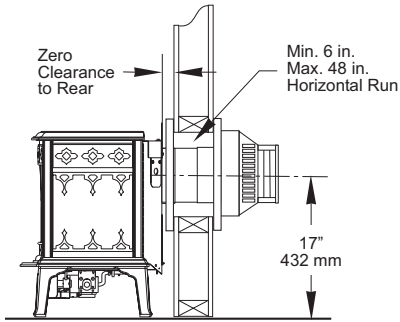
## Co-linear Vent

A co-linear venting system is used for direct vent gas fireplace inserts and freestanding gas stoves when installed in front of existing masonry fireplaces. This venting system consists of two 3-inch flexible liners that are run up a masonry chimney. One liner used for the air intake and the other for exhaust. When using co-linear venting with a direct vent gas fireplace the liners are attached to adapters on the unit, run up the chimney and then attached to a co-linear adapter on the top of the chimney, to which the direct vent cap will be secured. When used with a freestanding stove a co-linear adapter is also attached to the stove which converts the co-axial pipe to the co-linear venting system.

## B-Vent Systems

A B-vent or natural draft system is often vented into masonry or class A chimney system. Stoves using this type of venting use room air for combustion and exhaust the products of combustion into a chimney. When using a masonry chimney, a 4-inch aluminum gas liner must be installed.

**Jøtul GF 100 DV II Nordic QT**



**Venting Options & Specifications**

Venting  
 Heating Capacity<sup>1</sup>  
 Min/Max Heat Input  
 (BTU/hr)  
 Efficiency<sup>3</sup>

Safety Features  
 Optional Blower  
 Optional Wall Thermostat  
 Optional Remote control

**Dimensions**

Height  
 Height w/ opt. short legs  
 Width  
 Depth<sup>2</sup>  
 Weight  
 Venting

**Clearances**

Rear  
 Side  
 Corner  
 9 1/2" deep mantel

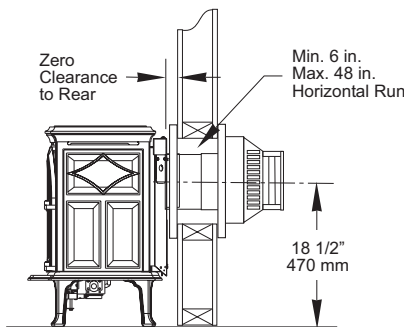
Direct Vent  
 Up to 600 sq. ft.  
 9,900 - 17,000 (NG)  
 8,700 -16,000 (LP)  
 up to 87% Steady State  
 (A.F.U.E. 73%)

Sealed System  
 Yes  
 Yes  
 Yes

22 3/4"  
 n/a  
 21"  
 16 3/4"  
 150 lbs.  
 Simpson DuraVent GS/  
 AmeriVent/Security/Selkirk

0" (zero clearance)  
 3"  
 2"  
 24 1/4"

**Jøtul GF 200 DV II Lillehammer**



**Venting Options & Specifications**

Venting  
 Heating Capacity<sup>1</sup>  
 Min/Max Heat Input  
 (BTU/hr)  
 Efficiency<sup>3</sup>

Safety Features  
 Optional Blower  
 Optional Wall Thermostat  
 Optional Remote control

**Fireplace Dimensions**

Height  
 Height w/ opt. short legs  
 Width  
 Depth<sup>2</sup>  
 Weight  
 Venting

**Clearances**

Rear  
 Side  
 Corner  
 9 1/2" deep mantel

Direct Vent  
 up to 800 sq. ft.  
 11,400-20,000 (NG)  
 8,440-18,000 (LP)  
 up to 87% Steady State  
 (A.F.U.E. 73%)

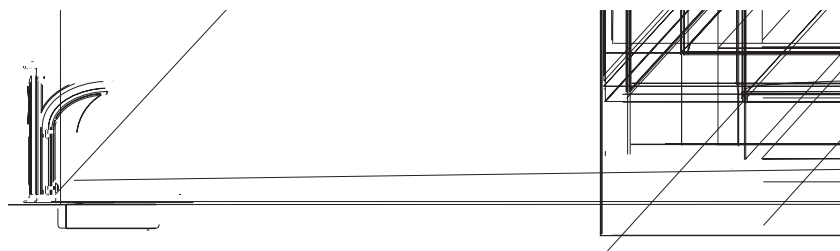
Sealed System  
 Yes  
 Yes  
 Yes

24 3/4"  
 n/a  
 22 3/4"  
 18 1/2"  
 190 lbs.  
 Simpson DuraVent GS/  
 AmeriVent/Security/Selkirk

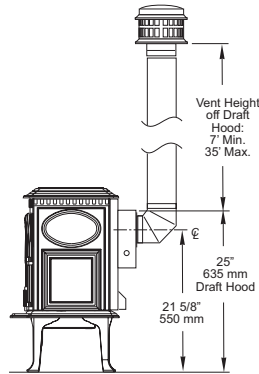
0" (zero clearance)  
 3"  
 2"  
 26 1/4"

**Leg Styles & Sizes**

- <sup>1</sup> Heating Capacity will vary depending on the design of the home, climate, operation and venting configuration.
- <sup>2</sup> Depth dimension includes ashlip and flue collar.
- <sup>3</sup> With maximum vent configuration



### Jøtul GF 300 BV Allagash



### Venting Options & Specifications

Venting  
 Heating Capacity<sup>1</sup>  
 Min/Max Heat Input  
 (BTU/hr)  
 Efficiency<sup>3</sup>

Safety Features  
 Optional Blower  
 Optional Wall Thermostat  
 Optional Remote control

### Dimensions

Height  
 Height w/ opt. short legs  
 Width  
 Depth<sup>2</sup>  
 Weight  
 Venting

### Clearances

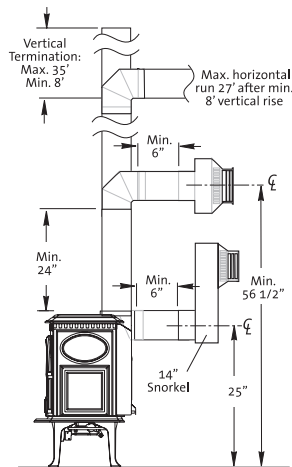
Rear  
 Side  
 Corner  
 10" deep mantel

B-Vent  
 up to 1,300 sq. ft.  
 15,000-26,000 (NG)  
 13,500-26,000 (LP)  
 up to 86% Steady State  
 (A.F.U.E. 73%)  
 Safety switch  
 Yes  
 Yes  
 Yes

28"  
 25 3/4"  
 22 3/4"  
 17 1/2"  
 185 lbs.  
 4" B-Vent

2"  
 3"  
 3"  
 28"

### Jøtul GF 300 DV Allagash



### Venting Options & Specifications

Venting  
 Heating Capacity<sup>1</sup>  
 Min/Max Heat Input  
 (BTU/hr)  
 Efficiency<sup>3</sup>

Safety Features  
 Optional Blower  
 Optional Wall Thermostat  
 Optional Remote control

### Dimensions

Height  
 Height w/ opt. short legs  
 Width  
 Depth<sup>2</sup>  
 Weight  
 Venting

### Clearances

Rear  
 Side  
 Corner  
 10" deep mantel

Direct Vent  
 Up to 1,300 sq. ft.  
 14,000-26,000 (NG)  
 14,000-26,000 (LP)  
 up to 88% Steady State  
 (A.F.U.E. 72.7%)  
 Sealed System  
 Yes  
 Yes  
 Yes

28"  
 25 3/4"  
 22 1/2"  
 17 1/2"  
 185 lbs.  
 Simpson DuraVent GS/  
 AmeriVent/Security/  
 Selkirk

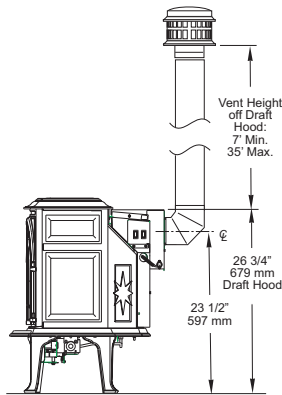
2"  
 3"  
 2"  
 29"

<sup>1</sup> Heating Capacity will vary depending on the design of the home, climate, operation and venting configuration.

<sup>2</sup> Depth dimension includes ashlip and flue collar.

<sup>3</sup> With maximum vent configuration

### Jøtul GF 400 BV Sebago



### Venting Options & Specifications

Venting	B- Vent
Heating Capacity <sup>1</sup>	Up to 2,000 sq. ft.
Min/Max Heat Input (BTU/hr)	20,000-40,000 (NG) 20,000-40,000 (LP)
Efficiency <sup>3</sup>	up to 88% Steady State (A.F.U.E. 73.5%)
Safety Features	Sealed System
Optional Blower	Yes
Optional Wall Thermostat	Yes
Optional Remote control	Yes

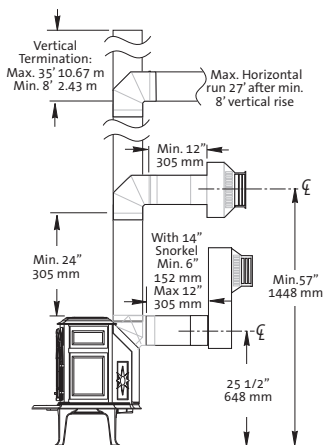
### Dimensions

Height	28"
Height w/ opt. short legs	n/a
Width	26 1/2"
Depth <sup>2</sup>	24"
Weight	260 lbs.
Venting	Simpson DuraVent GS/ AmeriVent/Security/ Selkirk

### Clearances

Rear	3"
Side	3"
Corner	3"
10" deep mantel	25"

### Jøtul GF 400 DV Sebago



### Venting Options & Specifications

Venting	Direct Vent
Heating Capacity <sup>1</sup>	up to 1,500 sq. ft.
Min/Max Heat Input (BTU/hr)	18,000-32,000 (NG) 16,000-32,000 (LP)
Efficiency <sup>3</sup>	up to 88% Steady State (A.F.U.E. 73%)
Safety Features	Sealed System
Optional Blower	Yes
Optional Wall Thermostat	Yes
Optional Remote control	Yes

### Dimensions

Height	28 1/4"
Height w/ opt. short legs	26"
Width	26 1/2"
Depth <sup>2</sup>	24"
Weight	190 lbs.
Venting	Simpson DuraVent GS/ AmeriVent/Security/ Selkirk

### Clearances

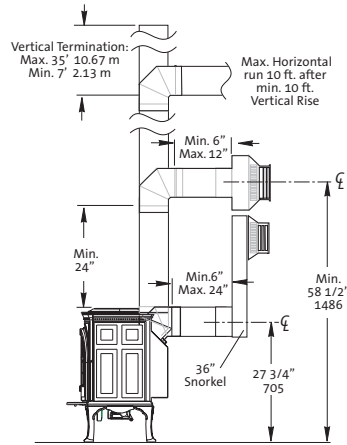
Rear	2"
Side	3"
Corner	2"
10" deep mantel	16 7/8"

<sup>1</sup> Heating Capacity will vary depending on the design of the home, climate, operation and venting configuration.

<sup>2</sup> Depth dimension includes ashlip and flue collar.

<sup>3</sup> With maximum vent configuration

## Jøtul GF 600 DV II Firelight



## Venting Options & Specifications

Venting	Direct Vent
Heating Capacity <sup>1</sup>	Up to 2,000 sq. ft.
Min/Max Heat Input	23,000-40,000 (NG)
(BTU/hr)	23,000-40,000 (LP)
Efficiency <sup>3</sup>	up to 87% Steady State (A.F.U.E. 73.5%)
Safety Features	Sealed System
Optional Blower	Yes
Optional Wall Thermostat	Yes
Optional Remote control	Yes

## Dimensions

Height	31"
Height w/ opt. short legs	n/a
Width	29"
Depth <sup>2</sup>	24"
Weight	260 lbs.
Venting	Simpson DuraVent GS/ AmeriVent/Security/ Selkirk

## Clearances

Rear	3"
Side	3"
Corner	3"
10" deep mantel	9 1/2"

## Hearth Requirements

Jøtul gas stoves cannot be installed directly on carpeting, vinyl, linoleum or Pergo.™  
If this appliance will be installed on any combustible material other than wood, a floor pad must be installed that is either metal or wood, or a listed hearth pad. This floor protection must extend the full width and depth of the appliance. It is not necessary to remove carpeting, vinyl or linoleum from underneath the floor protection.

<sup>1</sup> Heating Capacity will vary depending on the design of the home, climate, operation and venting configuration.

<sup>2</sup> Depth dimension includes ashlip and flue collar.

<sup>3</sup> With maximum vent configuration



### **Warranty**

Our 5 year warranty: a cast iron promise of quality. Jøtul guarantees the quality of its cast iron components against any defects in materials or workmanship for five years, subject to the exclusions and limitations noted on our warranty. For complete details, ask your Authorized Jøtul Dealer.

### **Installation**

Specifications and dimensions published in this brochure are intended to be used as guidelines for comparison only. Always consult the owner's manual in planning any installation. Specifications and dimensions are subject to change without notice. Contact local building or fire officials regarding restrictions and installation inspection requirements in your area.

### **Photographs**

Some settings for the photographs are for aesthetic purposes only and may not comply with installation requirements. Materials, specifications, accessories, colors, and models are subject to change without notice. Some models are shown with optional accessories. BTU ratings are to be used as a guideline only, and do not imply a guarantee of the heating capacity of the unit.



Ask your authorized Jøtul Dealer about our full line of cast iron wood and gas stoves, inserts and fireplaces.



Jøtul North America  
55 Hutcherson Drive  
Gorham, Maine 04038

[www.jotulflame.com](http://www.jotulflame.com)

Printed in U.S.A.  
July 2005

**Gas Stoves**

