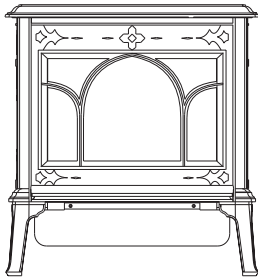
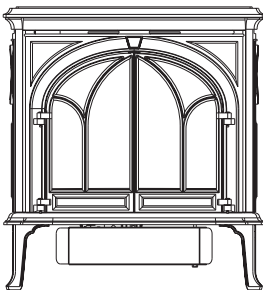


# Installation and Operation Instructions



Jøtul GF 100 DV II  
Nordic QT



Jøtul GF 200 DV II  
Lillehammer



**WARNING:**  
IF THE INFORMATION IN THESE INSTRUCTIONS ARE NOT FOLLOWED EXACTLY, A FIRE OR EXPLOSION MAY RESULT CAUSING PROPERTY DAMAGE, PERSONAL INJURY OR LOSS OF LIFE.

**FOR YOUR SAFETY:**  
DO NOT STORE OR USE GASOLINE OR OTHER FLAMMABLE VAPORS AND LIQUIDS IN THE VICINITY OF THIS OR ANY OTHER APPLIANCE.

**INSTALLATION:**  
INSTALLATION AND SERVICE MUST BE PERFORMED BY A QUALIFIED INSTALLER, SERVICE AGENCY OR LICENSED GAS SUPPLIER.

**THIS PRODUCT MUST BE INSTALLED BY A LICENSED PLUMBER OR GAS-FITTER WHEN INSTALLED IN THE COMMONWEALTH OF MASSACHUSETTS.**

**A CARBON MONOXIDE (CO) DETECTOR SHALL BE INSTALLED IN THE SAME ROOM AS THE APPLIANCE.**

**WHAT TO DO IF YOU SMELL GAS:**

- DO NOT TRY TO LIGHT ANY APPLIANCE.
- DO NOT TOUCH ANY ELECTRICAL SWITCHES.
- DO NOT USE THE PHONE IN YOUR BUILDING. IMMEDIATELY CALL YOUR GAS SUPPLIER FROM A NEIGHBOR'S PHONE.
- FOLLOW YOUR GAS SUPPLIER'S INSTRUCTIONS.
- IF YOU CANNOT REACH YOUR GAS SUPPLIER, CALL THE FIRE DEPARTMENT.

**AVERTISSEMENT:**  
ASSUREZ-VOUS DE BIEN SUIVRE LES INSTRUCTIONS DANS CETTE NOTICE POUR REDUIRE AU MINIMUM LE RISQUE D'INCENDIE OU POUR EVITER TOUT DOMMAGE MATERIEL, TOUTE BLESSURE OU MORTALIT'E.

**NE PAS ENTREPOSER NI UTILISER D'ESSENCE NI OU LIQUIDES INFLAMMABLES DANS LE VOISINAGE DE CET APPAREIL OU DE TOUT AUTRE APPAREIL.**

**L'INSTALLATION LE SERVICE DOIVENT ETRE EXECUTES PAR UN INSTALLATEUR QUALIFIE, AGENCE DE SERVICE OU LE FOURNISSEUR DE GAZ.**

**QUE FAIRE SI VOUS SENTEZ UNE ODEUR DE GAZ.**

- NE PAS TENTER D'ALLUMER L'APPAREIL
- NE TOUCHEZ A AUCUN INTERRUPTEUR.
- NE PAS VOUS SERVIR DES TELEPHONES SE TROUVANT DANS LE BATIMENT OU VOUS VOUS TROUVEZ.
- APPELEZ IMMEDIATEMENT VOTRE FOURNISSEUR DE GAZ CHEZ UN VOISIN. SUIVEZ LES INSTRUCTIONS DU FOURNISSEUR.
- SI VOUS NE POUVEZ REJOINDRE LE FOURNISSEUR DE GAZ, APPELEZ LE SERVICE DES INCENDIES.

## *Welcome to Jøtul...*

*Congratulations on the purchase of your new Jøtul gas heater.*

*We at Jøtul are glad you've made the decision to warm your hearth with a Jøtul product. Your new stove exemplifies over 150 years experience as the world's largest manufacturer of solid fuel burning appliances. We've been making fine quality cast iron wood and coal stoves and fireplaces continuously since 1853.*

*Great things come in small packages: both the Nordic QT and Lillehammer stoves combine advanced gas technology with the warm, traditional elements of cast iron. With proper use and care, your Jøtul stove will provide you with many years of safe, dependable and satisfying service.*

*Both of these stoves are direct vented gas heaters designed and approved for installation into a variety of configurations where close clearance to combustible material is required. Please take a few minutes to familiarize yourself with this manual and the features of your new Jøtul stove.*



# Table of Contents

Specifications, GF 100 DV II ..... 4  
 Specifications, GF 200 DV II ..... 5  
 General Information ..... 6  
 Service Tools ..... 6  
 Safety Information ..... 7  
 Installation Requirements  
   Location ..... 7  
   Hearth Protection ..... 7  
   Clearances ..... 8  
   Mantel & Trim ..... 8  
   Alcove ..... 8  
 Vent Requirements  
   Adding Restriction ..... 9  
   Vertical Termination ..... 10  
   Horizontal Termination ..... 12  
   Vent Terminal Clearances ..... 14  
 Mobile Home Installation ..... 15  
 Fuel Conversion ..... 15  
 Gas Connection ..... 17  
 Gas Pressure ..... 18  
 High Altitude Adjustment ..... 18  
 Air Shutter Adjustment ..... 19  
 Wall Thermostat ..... 20  
 Remote Control ..... 20  
 Log Set Installation ..... 20  
 System Check ..... 21  
 Operation ..... 22  
 Maintenance ..... 22  
   Glass Replacement ..... 22  
 Optional Blower ..... 24  
 Illustrated Parts Breakdown ..... 26, 27  
 Replacement Parts List ..... 28, 29  
 Addendum - Brick Panel Kit ..... 30  
 Lighting Instructions ..... Back Cover

## Jøtul GF 100 DV II Nordic QT and Jøtul GF 200 DV II Lillehammer Direct Vent Gas Heaters

Manufactured and Distributed by:  
 Jøtul A.S.A.  
 Fredrikstad, Norway  
 Jøtul North America  
 Gorham, Maine

MEA No. 369-04-E

### Test Standards

This appliance complies with National Safety standards and is tested and listed by Intertek Testing Services of Middleton, Wisconsin to ANSI Z21.88-2002 • CSA 2.33-M02 and CSA P.4.-01.2 for Canada.

DO NOT ATTEMPT TO ALTER OR MODIFY THE CONSTRUCTION OF THE APPLIANCE OR ITS COMPONENTS. ANY MODIFICATION OR ALTERATION WILL VOID THE WARRANTY, CERTIFICATION AND LISTING OF THIS APPLIANCE.



**THIS PRODUCT MUST BE  
 INSTALLED BY A LICENSED  
 PLUMBER OR GAS-FITTER WHEN  
 INSTALLED IN THE COMMON-  
 WEALTH OF MASSACHUSETTS.**

**NATIONAL  
 FIREPLACE  
 INSTITUTE**



**CERTIFIED**  
[www.nficertified.org](http://www.nficertified.org)

We recommend that our gas products be installed and serviced by professionals who are certified in the U.S. by the National Fireplace Institute® (NFI) as NFI Gas Specialists.

# Jøtul GF 100 DV II Nordic QT Specifications

## Input Rates

### Natural Gas

17,000 BTU/hr. maximum input  
9,900 BTU/hr. minimum input

### Propane

16,000 BTU/hr. maximum input  
8,700 BTU/hr. minimum input

<b>Inlet Pressure:</b>	<b>MIN</b>	<b>MAX</b>
Natural Gas:	5.0 WC (1.24 kPa)	7.0 WC (1.74 kPa)
Propane:	12.0 WC (2.98 kPa)	14.6 WC (3.63 kPa)

<b>Manifold Pressure:</b>	<b>MIN</b>	<b>MAX</b>
Natural Gas:	1.2 WC (0.29 kPa)	3.8 WC (0.94 kPa)
Propane:	2.9 WC (0.72 kPa)	11.0 WC (2.74 kPa)

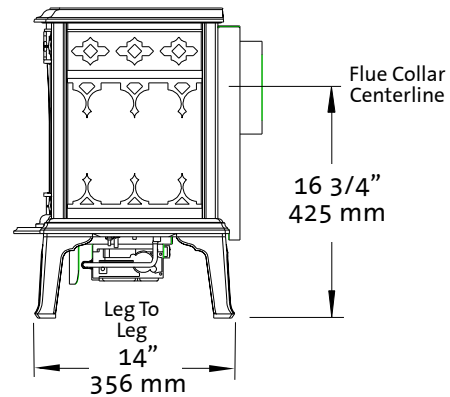
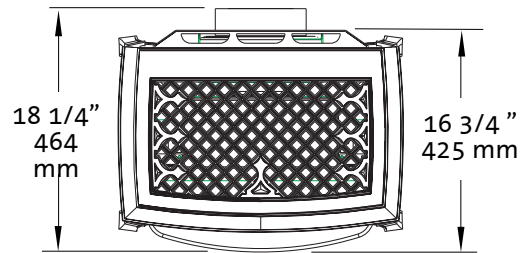
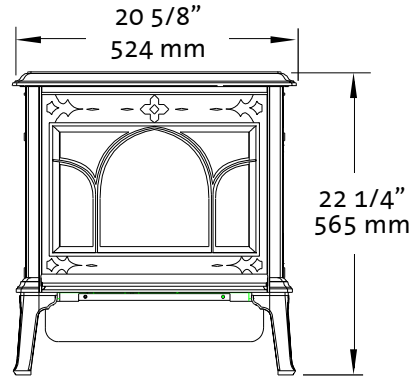
Piezo Ignitor / Standing Pilot

Weight: 150 lbs.

The Jøtul GF 100 DV II Nordic QT is a Direct Vent gas heater designed as a sealed combustion, air circulating gas appliance for residential applications. This appliance is approved for installation using 6 5/8" X 4" vent pipe from the following manufacturers:

- Simpson Dura-Vent GS
- Security Vent, Ltd.
- Amerivent Inc.
- Selkirk Metalbestos

The Jøtul GF 100 DV II Nordic QT gas stove is designed to burn NATURAL GAS or PROPANE only. **It is shipped from the factory equipped to burn Natural Gas. If use with Propane is desired, the stove must first be converted for use with that gas. Use the LP Fuel Conversion Kit 155628 included with this stove See page 14 for instructions.**



## GF 100 DV II Miscellaneous Kit Contents

- Fuel Conversion Kit - LP ..... 155628
- Rear Air Intake Restrictor Plate, Black -22111092  
or Jøtul Iron - 22111085
- Side Air Intake Restrictor Plates, (2) .... 22099192  
or Jøtul Iron - 22099185
- \* Decorative Wall Shield, Black ..... 22092692  
or Jøtul Iron..... 22092692

## GF 100 DV II Accessories

- Blower Kit..... 155631
- Antique Brick Kit ..... 155815
- Fuel Conversion Kit - NG..... 155629
- Wall Thermostat ..... 750003
- Remote Control ..... 129706
- Mobile Home Floor Bracket Kit ..... 154342

# Jøtul GF 200 DV II Lillehammer Specifications

## Input Rates

### Natural Gas

20,000 BTU/hr. maximum input  
11,400 BTU/hr. minimum input

### Propane

18,000 BTU/hr. maximum input  
8,450 BTU/hr. minimum input

### Inlet Pressure: MIN MAX

Natural Gas: 5.0 WC (1.24 kPa) 7.0 WC (1.74 kPa)  
Propane: 12.0 WC (2.98 kPa) 14.6 WC (3.63 kPa)

### Manifold Pressure: MIN MAX

Natural Gas: 1.2 WC (0.29 kPa) 3.8 WC (0.94 kPa)  
Propane: 2.9 WC (0.72 kPa) 11.0 WC (2.74 kPa)

Piezo Ignitor / Standing Pilot

Weight: 180 lbs.

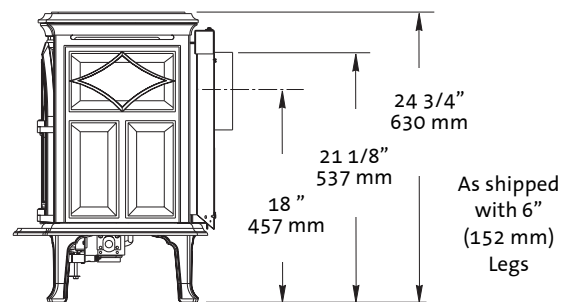
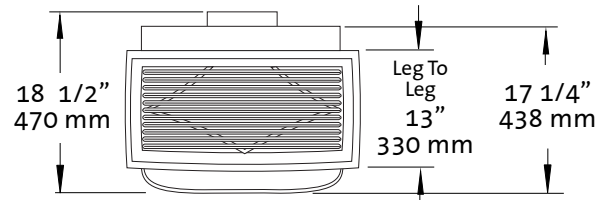
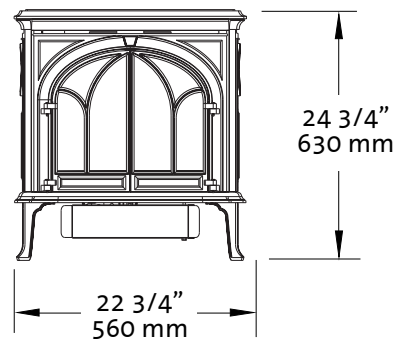
The Jøtul GF 200 DV II Lillehammer is a Direct Vent gas heater designed as a sealed combustion, air circulating gas appliance for residential applications. This appliance is approved for installation using 6 5/8" X 4" vent pipe from the following manufacturers:

- Simpson Dura-Vent GS
- Security Vent, Ltd.
- Amerivent Inc.
- Selkirk Metalbestos

The Jøtul GF 200 DV II Lillehammer gas stove is designed to burn NATURAL GAS or PROPANE only. **It is shipped from the factory equipped to burn Natural Gas. If use with Propane is desired, the stove must first be converted for use with that gas. Use the LP Fuel Conversion Kit 155626 included with this stove See page 14 for instructions.**

## GF 200 DV II Miscellaneous Kit Contents

- Fuel Conversion Kit - LP ..... 155626
- Rear Air Intake Restrictor Plate, Black -22111092 or Jøtul Iron - 22111085
- Side Air Intake Restrictor Plates, (2) .... 22099192 or Jøtul Iron - 22099185
- \* Decorative Wall Shield, Black ..... 22092692 or Jøtul Iron ..... 22092692



### Height Dimensions with Optional Legs

Plinth Kit - subtract 1" (25 mm)  
Long Legs - add 2 1/4" (57 mm)

## GF 200 DV II Accessories

- Fuel Conversion Kit - NG ..... 155627
- High Altitude Adjustment Kit - NG ..... 155808
- High Altitude Adjustment Kit - LP ..... 155809
- Blower Kit ..... 155631
- Antique Brick Kit ..... 155815
- Wall Thermostat ..... 750003
- Remote Control ..... 129706
- Mobile Home Floor Bracket Kit .... GF 200 DV II (6") / 154923  
..... for Long Legs (8") / 750304  
..... for Plinth Kit / 154342
- Long Leg Kits ..... Matte Black / 154929  
..... Blue Black / 154930  
..... Forest Green / 154931  
..... Ivory / 154932  
..... Jøtul Iron / 155366
- Plinth Kits ..... Matte Black / 350081  
..... Blue Black / 350082  
..... Ivory / 350083  
..... Forest Green / 350084  
..... Jøtul Iron / 350085

## General Information

### ■ THIS HEATER MUST BE INSTALLED AND MAINTAINED BY A QUALIFIED SERVICE AGENCY.

■ The installation and repair of this appliance must be done by a qualified service person. Failure to properly install and maintain this heater could result in an unsafe or hazardous installation, which may result in a fire, explosion, property damage, personal injury or loss of life.

■ This appliance should be inspected before use and at least annually. More frequent cleaning may be required due to excessive lint from carpeting, bedding material, etc. It is imperative that control compartments, burners, and circulating air passageways of the appliance be kept clean.

### ■ THIS APPLIANCE MUST NOT BE CONNECTED TO A CHIMNEY OR FLUE SERVING ANY OTHER APPLIANCE.

■ The installation must conform to local codes. Your local Jøtul dealer can assist you in determining what is required in your area for a safe and legal installation. Some areas require a permit to install a gas burning appliance. Always consult your local building inspector, or authority having jurisdiction, to determine what regulations apply in your area.

■ **NOTE: Your local officials have final authority in determining if a proposed installation is acceptable.** Any requirement that is requested by the local authority having jurisdiction, that is not specifically addressed in THIS manual, defaults to local code. In the absence of local codes, the installation requirements must comply with the current National codes. In the U.S., these requirements are established in the National Fuel Code, ANSI Z223.1.(NFPA 54). In Canada, the codes have been established in CAN/CGA B149 Fuel Installation Code.

■ Installer l'appareil selon les codes ou reglements locaux, ou, en l'absence de tels reglements, selon les Codes d'installation CAN/CGA-B149.

■ **DO NOT OPERATE THIS STOVE IF ANY PART HAS BEEN UNDER WATER.** Call a qualified service technician to inspect the heater and to replace any part of the control system and any gas control which may have been under water.

■ Ne pas se servir de cet appareil s'il a été plongé dans l'eau, complètement ou en partie. Appeler un technicien qualifié pour inspecter l'appareil et remplacer toute partie du système de contrôle et toute commande qui ont été plongés dans l'eau.

## Stove Setup

Inspect the stove for damage and contact your dealer immediately if any is found. Check contents of the Miscellaneous Kit against the lists on p. 4-5. Complete the installation steps in the following order:

- 1. Remove the Top Plate.**  
Simply lift it from the stove body.
- 2. GF 100 DV II ONLY : Remove the Front Plate.**  
Slide it straight up to disengage it from the Side Plates.
- 3. GF 200 DV II ONLY: Open the Front Doors.**  
Cut the two cable ties that secure the doors closed.
- 4. Remove the Glass Panel.**  
Open the two trunk latches at the top of the firebox to disengage the Glass Panel Frame. Lift the frame up and out of its channel. Set it aside, out of the way, on a soft surface.
- 5. Install Optional Blower** if appropriate.
- 6. Install Vent System / Air Restriction** as appropriate.
- 7. Install Fuel Conversion / High Altitude Adjustment** if necessary.
- 8. Plumb gas line** to the stove. Leak Test.
- 9. Install optional Brick Panels.**
- 10. Install Log Set and Ember Stones.**
- 11. Replace Glass Panel. Test Burner** and adjust air shutter if necessary.
- 12. Replace Front Panel and Top Plate.**
- 13. Install optional Remote Control or Thermostat.**

### Suggested Tools for Installation and Service

- External regulator (for Propane only)
- Piping which complies with local code
- Manual shut-off valve (**T-Handle in Massachusetts**)
- Sediment trap - if required by code
- Tee joint
- Pipe wrench
- Pipe sealant
- 10 mm open end wrench
- 1/2", 7/16" open end wrench or deep socket
- Phillips head screwdriver
- Flat head screwdriver
- 1/4" nut driver
- 4 mm allen wrench
- Gloves
- Safety glasses
- Torx T20 screwdriver
- Leak test solution
- Reciprocating Saw
- Power Drill

## Safety Information

Your stove will reach high surface temperatures during normal operation. Please note the following cautionary information.

- Due to the high operating temperatures, this appliance should be located out of traffic areas and away from furniture and draperies.
- Children and adults should be alerted to the hazards of high surface temperatures and should stay away to avoid burns and/or clothing ignition.
- Young children should be supervised while they are in the same room as the gas stove.
- Clothing or other flammable materials should not be placed ON or NEAR the stove. Surveiller les enfants. Garder les vêtements, les meubles, l'essence ou autres liquides à vapeur inflammables loin de l'appareil.
- NEVER store or use gasoline or any other flammable vapors or liquids in the vicinity of the stove.
- Never burn any other materials in your gas stove, it is strictly designed for use with natural gas or propane fuel ONLY.
- Any safety screen, glass or guard removed for servicing the appliance must be replaced prior to operating the appliance.

## Glass Front

Do not operate the this appliance if the glass panel has been removed, cracked, or broken. Replacement of the glass should be done by a licensed or qualified service person. Only remove glass for routine service. Always handle glass carefully.

## Location

In selecting a location for the stove, consider the following points:

- 1) Heat distribution
- 2) Vent termination requirements
- 3) Gas supply line routing
- 4) Traffic areas, furniture, draperies, etc.

The stove may be located on or near conventional construction materials, however, proper clearance to combustibles must be maintained in order to provide adequate air circulation around the appliance. Also, it is important to provide adequate access around the stove for servicing and proper operation.

The clearance and hearth specifications listed in this manual are the minimum requirements for combustible material. A combustible material is anything that can burn (i.e. sheet rock, wall paper, wood, fabrics etc.). These surfaces are not limited to those that are visible and also include materials that may be located behind non-combustibles.

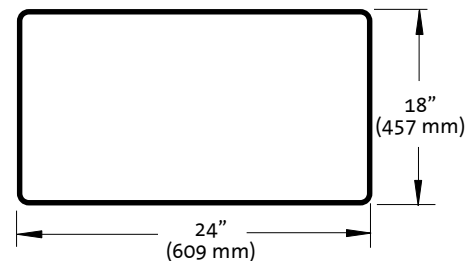
If you are not sure of the combustible nature of a material, consult your local fire officials. Remember, "Fire Resistant" materials are considered combustible: they are difficult to ignite, but will burn. Also, "fire-rated" sheet rock is considered combustible.

## Hearth Requirements

The GF 100 DV II and GF 200 DV II should not be installed directly on carpeting, vinyl, linoleum or Pergo®.

If the appliance will be installed on any combustible material OTHER THAN WOOD, a floor pad must be installed that is either metal or wood, or a listed hearth pad. This floor protection must extend the full width and depth of the appliance. It is not necessary to remove carpeting, vinyl or linoleum from underneath the floor protection. See fig. 1.

*Figure 1. Suggested hearth dimensions shown are slightly larger than the minimum requirement.*



# Stove and Vent Clearance Requirements

**Minimum Clearances from the Stove to Combustibles:**  
Measured from the stove top plate. See figs. 2-4.

**For Both Stoves**

- Rear:** 0" (0 mm)
- Ceiling:** 42" (1066 mm)
- Corner:** 2" (50 mm)
- Sides:** 3" (76 mm)

**Minimum Clearances between Vent Pipe and Combustible Materials:**

**Horizontal Run:**

- Off the top of the pipe 2" (50 mm)
- Off the sides and bottom 1" (25 mm)

**Vertical Run:**

- All sides 1" (25 mm)

## Alcove Installation

- Maximum Alcove Depth: 24" (610 mm)
- Minimum Alcove Width: 34" (864 mm)
- Minimum Ceiling Height from stove top: 42" (1066 mm)

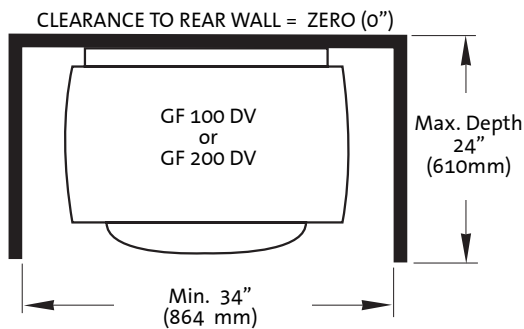
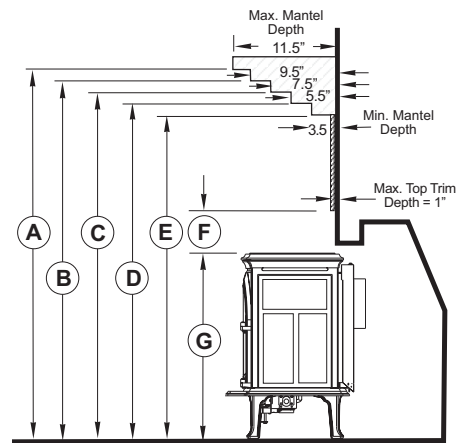
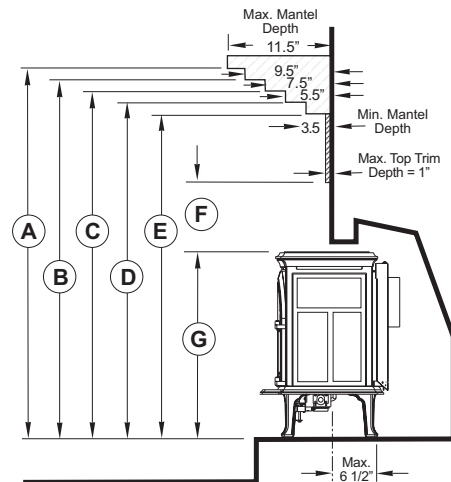


Figure 2. Alcove Installation Clearances.



	GF 100 DV II Nordic QT	GF 200 DV II Lillehammer
<b>A</b>	50 in. (1270 mm)	52 1/2 in. (1333 mm)
<b>B</b>	48 1/2 in. (1232 mm)	51 in. (1295 mm)
<b>C</b>	47 in. (1194 mm)	49 1/2 in. (1257 mm)
<b>D</b>	45 1/2 in. (1156 mm)	48 in. (1219 mm)
<b>E</b>	44 in. (1118 mm)	46 1/2 in. (1181 mm)
<b>F</b>	4 1/4 in. (108 mm)	4 1/4 in. (108 mm)
<b>G</b>	22 1/4 in. (565 mm)	24 3/4 in. (629 mm) Plinth Kit: 23 3/4 in. (603 mm) Long Legs: 27 in. (686 mm)

Figure 3. Mantel Clearances - stove flush with fireplace face.



	GF 100 DV II Nordic QT	GF 200 DV II Lillehammer
<b>A</b>	49 in. (1245 mm)	51 1/2 in. (1308 mm)
<b>B</b>	47 1/2 in. (1206 mm)	50 in. (1270 mm)
<b>C</b>	46 in. (1168 mm)	48 1/2 in. (1232 mm)
<b>D</b>	44 1/2 in. (1130 mm)	47 in. (1194 mm)
<b>E</b>	43 in. (1092 mm)	45 1/2 in. (1156 mm)
<b>F</b>	17 3/4 in. (451 mm)	17 3/4 in. (451 mm)
<b>G</b>	22 1/4 in. (565 mm)	24 3/4 in. (629 mm) Plinth Kit: 23 3/4 in. (603 mm) Long Legs: 27 in. (686 mm)

Figure 4. Mantel Clearances - stove set back into fireplace, 6 1/2" maximum.

## Venting Requirements

Both stoves may be installed with a vertical or horizontal termination and must conform to the configuration requirements described in this section. Vent components from the manufacturers listed below are approved for use:

- **Simpson Dura-Vent GS**
- **Selkirk Metalbestos**
- **Security Vent Ltd.**
- **Amerivent Corporation**

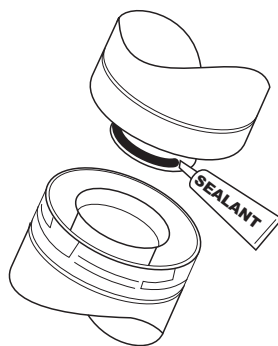
Use parts of one manufacturer only - DO NOT MIX VENT COMPONENTS FROM DIFFERENT MANUFACTURERS IN THE SAME SYSTEM.

Installation of any components not manufactured or approved by Jøtul or failure to meet all clearance requirements will void all warranties and could result in property damage, bodily injury, or serious fire.

The approved vent configurations described in this manual are derived from extensive testing under controlled laboratory conditions. Gas appliance performance can be negatively affected by variables present in the installation environment, i.e: atmospheric pressure, strong prevailing winds, adjacent structures and trees, snow accumulation, etc. These conditions should be taken into consideration by the installer and stove owner when planning the vent system design.

### **IMPORTANT**

- **JOINT SEALING REQUIREMENT:** APPLY A 1/8" BEAD OF HIGH-TEMPERATURE SEALANT (SUCH AS MIL-PAC®) TO THE MALE SECTION OF THE INNER VENT PIPE. THE CEMENT SHOULD FORM A SEAL BETWEEN THE INNER AND OUTER PIPES.
- NEVER MODIFY ANY VENTING COMPONENT, OR USE ANY DAMAGED VENTING PRODUCT.
- THE GAS APPLIANCE AND VENT SYSTEM MUST BE VENTED DIRECTLY TO THE OUTSIDE OF THE BUILDING AND NEVER ATTACHED TO A CHIMNEY SERVING A SOLID FUEL OR GAS BURNING APPLIANCE. EACH DIRECT VENT GAS APPLIANCE MUST HAVE ITS OWN SEPARATE VENT SYSTEM. COMMON VENT SYSTEMS ARE PROHIBITED.
- IF VENTING SYSTEM IS DISASSEMBLED FOR ANY REASON, REINSTALL PER THE INSTRUCTIONS PROVIDED FOR THE INITIAL INSTALLATION.



## Intake Air Restriction

You may need to restrict air intake to the burner, depending on the stove vent configuration. Two Side Restrictor Plates and one Rear Restrictor Plate are included in the Miscellaneous Kit for this purpose. Use the following guidelines to determine the proper restriction, if any, for your installation.

### Horizontal Termination

No air restriction should be necessary. Do not install the restrictor plates.

### Vertical Termination

#### 1. For Any Vertically Terminated Stove - Fig. 5.

Remove the Recirculator Plate from the back of the Burner Skirt. It is secured by a single sheet metal screw.

#### 2. Optional Restriction - Fig. 6.

##### A) Termination less than 8 ft. high:

Install Rear Restrictor Plate. Engage the plate with the two pins on the back of the Burner Skirt.

##### B) Termination 8 - 15 ft. high:

Install the Side Restrictor Plates, *in addition to the Rear Restrictor Plate*. The plates are interchangeable. Engage each plate with the pin on either side of the Burner Skirt.

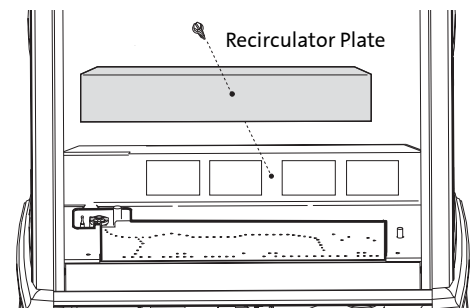


Figure 5. Remove Recirculator Plate.

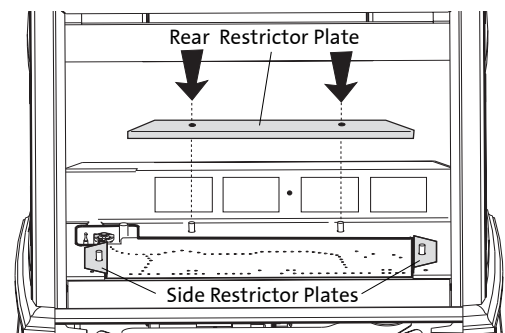


Figure 6. Installing the Air Intake Restrictor Plates.

## Vertical Vent Termination

The Jøtul GF 100 DV II and Jøtul GF 200 DV II are approved for vertical venting through a ceiling or to a roof termination following these guidelines:

- The termination should fall within the shaded area of the grid depicted in fig.7 below. Maximum Vertical must not exceed 15 ft. (4.57 m) measured from the top of the stove.
- In no case shall any discharge opening on the termination cap be less than 18" (457 mm) horizontally from the roof surface. See fig. 8.
- *In addition the 90° elbow attached to the stove, a vertical vent run may utilize one 90° or two 45° elbows. Whenever possible use 45° elbows instead of a 90° elbow as they are less restrictive to exhaust gas and intake air flow.*
- Steep roofs, nearby trees, and predominantly windy conditions can contribute to poor draft and/or promote down-draft occurrences. Increasing the height of the vent may alleviate these conditions.
- Use approved vent manufacturer's Wall Straps to support an offset pipe run at three feet intervals to avoid excessive stress on the offsets.
- A firestop is required at every floor. Firestops are available from all vent manufacturers. The opening should be framed to 10" X 10" inside dimension.
- Always maintain a minimum 1" clearance from all sides of the vertical vent system.
- Remove the Recirculator Plate from the back of the Burner Skirt as shown in fig. 5. Determine which Air Intake Restrictor plates should be used by following the guidelines on page 9.

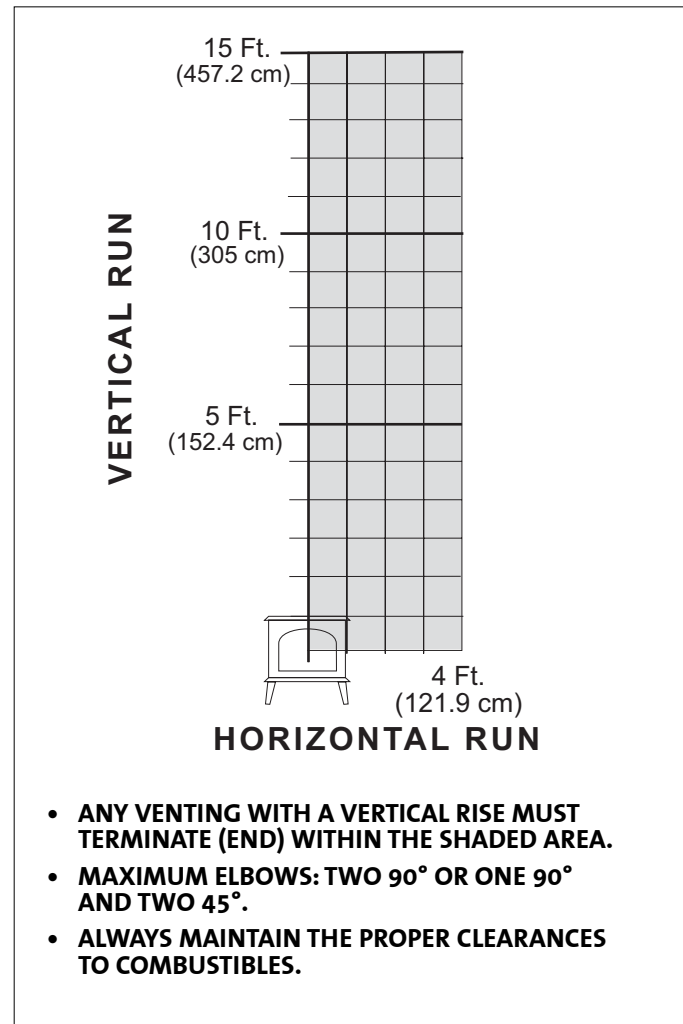


Figure 7. Vent Termination Diagram - any termination must fall within the shaded area dimensions.

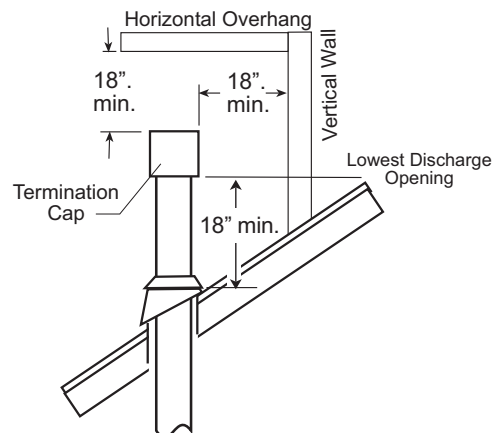


Figure 8. Minimum vertical termination height and roof clearance.

## Venting Through a Fireplace

### Co-linear Vent Installation

This appliance may be vented through a masonry or Class A prefabricated chimney using a Co-linear Flexible Vent system approved for use with a solid-fuel burning fireplace. When installed in the manner described below, this system can improve the performance of the appliance in cold climate situations, as well as simplify the vent installation. See fig. 9.

**These installation requirements must be followed:**

1. Prior to the installation the chimney flue must be thoroughly cleaned and inspected by a qualified chimney service person.
2. In a masonry chimney, a fireclay liner must be present the entire length of the chimney.
3. Prefabricated chimneys must be UL 103 or ULC S-629 listed and have a minimum INSIDE diameter of 6 inches, (150 mm).
4. No appliance can be installed into a chimney flue serving any other appliance of any kind.
5. **THE AIR INTAKE FLEX PIPE MUST EXTEND BEYOND THE DAMPER AREA OF THE FIREPLACE.** If the intake flex duct does not extend the full length of the chimney and connect to both the unit and the termination cap, A METAL BLOCK OFF PLATE MUST BE CONSTRUCTED AND INSTALLED ABOVE THE UNIT PRIOR TO THE END OF THE INTAKE FLEX AND MUST COMPLETELY SEAL THE CHIMNEY FLUE FROM THE ROOM.

Consult with the local code authority having jurisdiction before proceeding with this type of installation.

Refer to the vent manufacturer's instructions for specific installation requirements.

**WARNING: FAILURE TO POSITION THE PARTS AND STOVE IN ACCORDANCE WITH THESE DIAGRAMS OR FAILURE TO USE ONLY PARTS SPECIFICALLY APPROVED FOR USE WITH THIS APPLIANCE, MAY RESULT IN PROPERTY DAMAGE OR PERSONAL INJURY. BE SURE TO MAINTAIN THE PROPER CLEARANCES TO COMBUSTIBLES AS DEFINED IN THIS MANUAL AND IN THE INSTRUCTIONS PROVIDED WITH EACH VENT COMPONENT.**

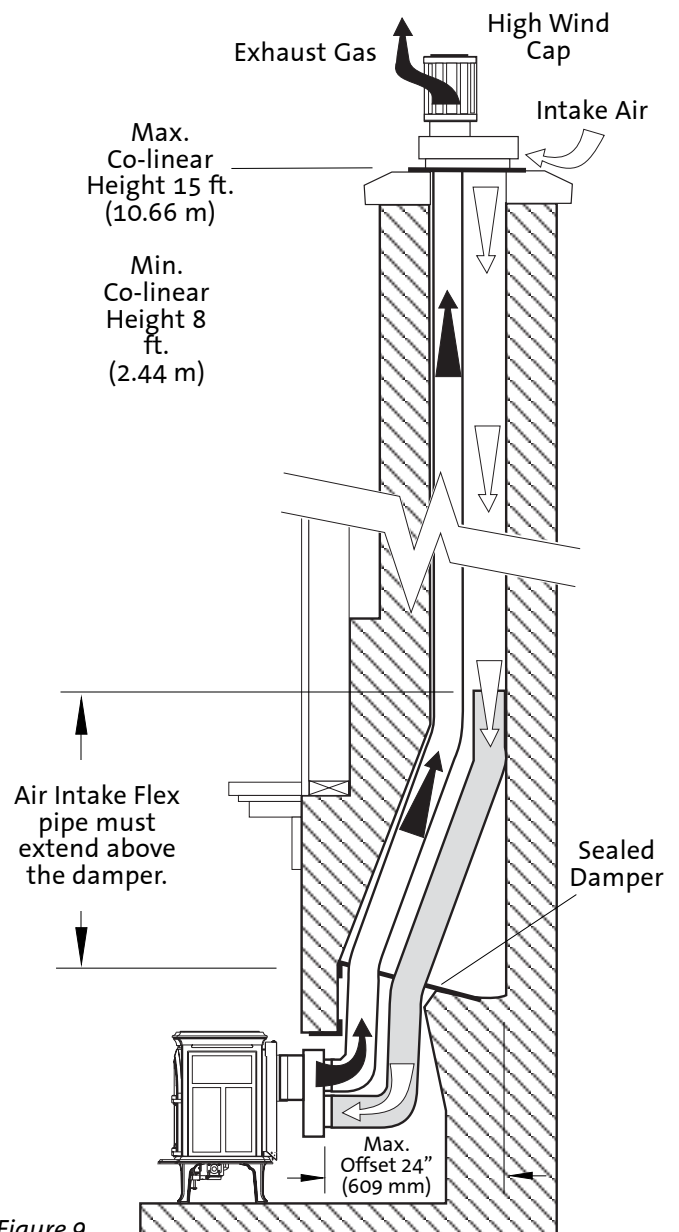


Figure 9.  
Co-linear Adaptor installed through a masonry chimney.

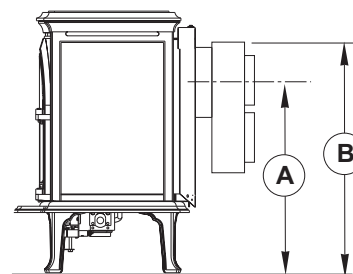


Figure 10. Simpson Dura-Vent #923GCL Co-linear Adaptor.  
GF 100 DV II: A: 16 3/4" B: 20 3/4"  
GF 200 DV II: A: 18" B: 22"  
Add 2 1/4" with Long Legs.  
Subtract 1" with Plinth

## Horizontal Vent Termination

- **Wall Cut-out Opening:** A minimum 10" X 10" (250 mm x 250 mm) square hole is required for proper pipe clearances through a combustable wall. Use one of the approved vent manufacturers' WALL THIMBLE for the wall penetration.

**DO NOT FILL AIR SPACE WITH ANY TYPE OF INSULATION.**

- The minimum horizontal run made directly off the rear of the stove into a standard horizontal cap shall be no less than a 6" (152 mm) vent section. See fig. 11.
- The maximum horizontal run made directly off the rear of the stove into a standard horizontal termination must not exceed 4 ft. (1219 mm) See fig. 11.
- **Corner Installation:** Max. Horizontal Run is 2 ft. (610 mm). See Fig. 12.
- A horizontal termination must fall within the shaded area illustrated in fig. 7, Vent Termination Diagram.
- The horizontal termination cap must maintain a 3" clearance to any overhead combustable projections 2 1/2" or less. It must also maintain 12" clearance from projections exceeding 2 1/2". See fig. 14.
- Any horizontal run of vent must be level or have a 1/4" rise for every foot of run toward the termination cap. NEVER ALLOW THE VENTING TO RUN DOWNWARD FROM STOVE TO TERMINATION; DOWNWARD VENT RUNS TRAP HEAT AND CAUSE HIGH TEMPERATURES TO DEVELOP WITHIN THE VENT THAT COULD START A FIRE.
- Install a Vinyl Siding Standoff between the vent termination and an exterior wall covered by vinyl siding material to prevent potential heat damage to the siding.
- Do not recess the termination cap into a wall or siding.

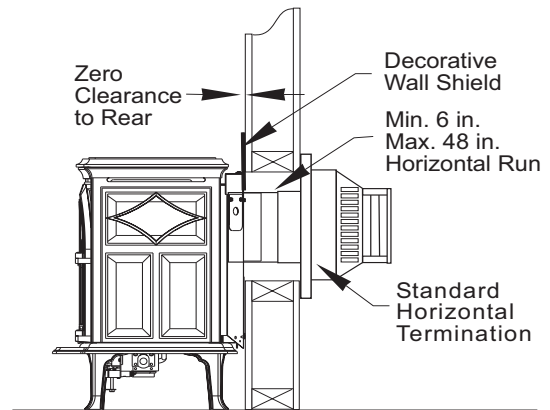


Figure 11. Min. / Max. Horizontal Run

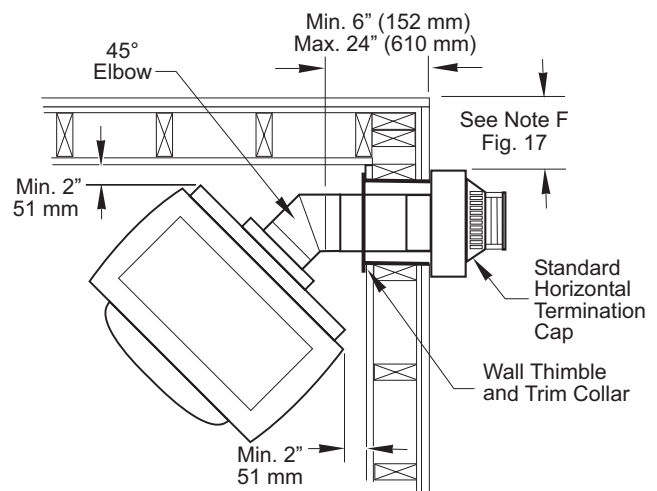


Figure 12. Corner Installation, Horizontal Termination directly off rear. **Maximum Horizontal run is 2 ft. (610 mm).**

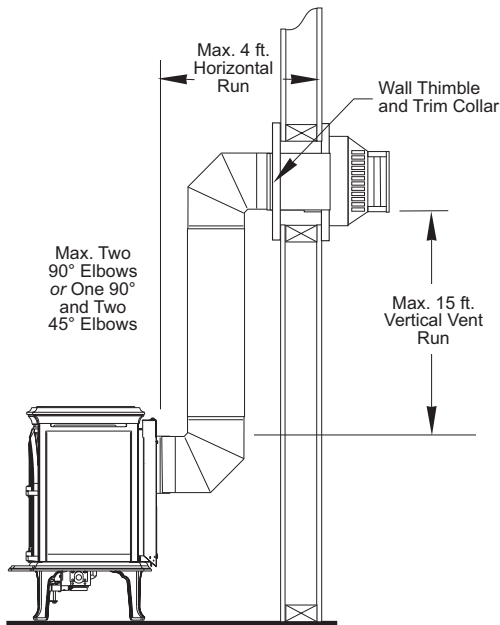


Figure 13. Horizontal Termination with Vertical Rise.

## Wall Shield Installation

The decorative Wall Shield, included in the Miscellaneous Hardware bag, is used to obscure the vent hole in the wall in installations vented directly off the rear of the stove. Follow this procedure:

1. Remove the top two 1/4" hex head screws from the rear shroud of the stove.
2. Align the holes in the wall shield with the holes in the rear shroud.
3. Secure the wall shield to the stove with the two 1/4" hex head screws. See fig. 16.

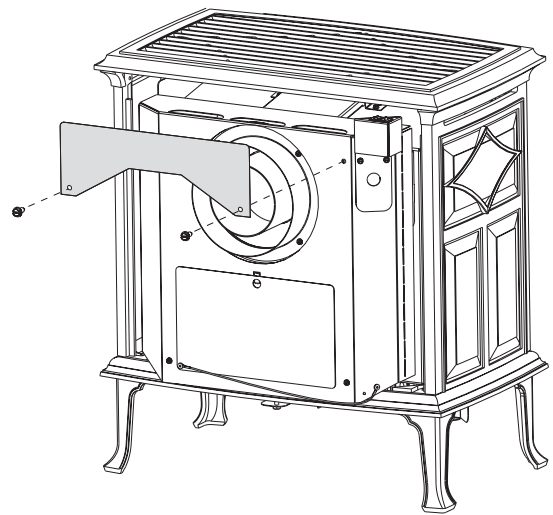


Figure 15.  
Wall Shield installation.

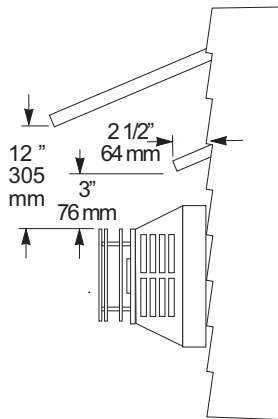


Figure 15. Termination Clearance to overhangs

## Horizontal Termination Clearance

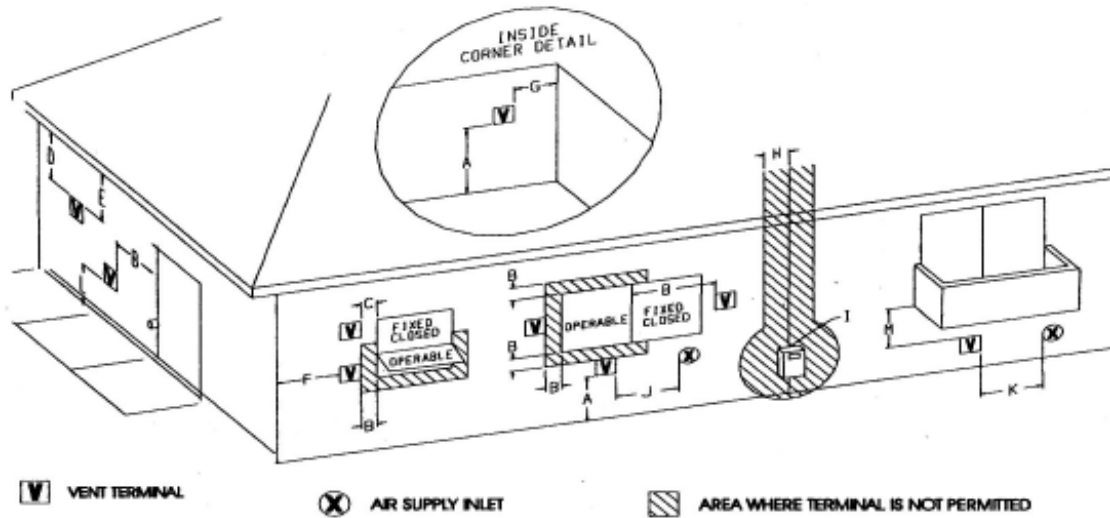


Figure 17. Vent Terminal Clearances - National Fuel Gas Code.

- A** = Clearance above grade, veranda, porch, deck, or balcony: **12 inches (30 cm) minimum.**
- B** = Clearance to window or door that may be opened:  
**\*\*Min. 9 inches, U.S. / \*12 inches (30 cm) CAN.**  
We recommend 12in. minimum to prevent condensation on the window.
- C** = Clearance to permanently closed window:  
**\*\*Min. 9 inches, U.S. / \*12 inches (30 cm) CAN**  
We recommend 12 in. minimum to prevent condensation on the window.
- D** = Vertical clearance to ventilated soffit located above the terminal within a horizontal distance of 2 feet (60 cm) from the centerline of the terminal: **18 inches (46 cm) minimum.**
- E** = Clearance to unventilated soffit: **12 inches (46 cm) minimum.**
- F** = Clearance to outside corner: **\*\*Min. 9 inches, U.S. / \*12 inches (30 cm) CAN.** We strongly recommend 12 inches, particularly where windy conditions prevail.
- G** = Clearance to inside corner: **\*\* Min. 6 inches, U.S. / \*12 inches (30 cm) CAN.** We strongly recommend 12 inches, particularly where windy conditions prevail.
- H** = \*Not to be installed **within 15 feet (4.5 m) above** a meter/regulator assembly **within 3 feet (90 cm)** horizontally from the center-line of the regulator.

- I** = Clearance to service regulator vent outlet:  
**3 feet (91 cm) minimum.**
- J** = Clearance to nonmechanical air supply inlet to building or the combustion air inlet to any other appliance:  
**12 inches (30 cm) minimum.**
- K** = Clearance to a mechanical air supply inlet:  
**\*\*Min. 3 feet (91 cm) above if within 10 feet horizontally, U.S. / \*6 feet (1.83 m) minimum / CAN**
- L** = <sup>1</sup> Clearance above paved sidewalk or a paved driveway located on public property: **7 feet (2.1 m) min.**
- M** = Clearance under veranda, porch, deck, or balcony:  
**12 inches (30 cm) minimum.<sup>2</sup>**

\* In accordance with CSA B149.1 Installation Codes.

\*\* In accordance with the current ANSI Z223.1/NFPA 54, National Fuel Gas Code. Note: Local Codes and Regulations may require different clearances.

<sup>1</sup> A vent shall not terminate directly above a sidewalk or driveway which is located between two single family dwellings and serves both dwellings.

<sup>2</sup> Only permitted if veranda, porch, deck, or balcony, is fully open on a minimum of two sides beneath the floor.\*

## Mobile Home Installation

These appliances can be installed for use in a mobile home in the U.S. and Canada provided:

1. The stove is secured to the floor of the mobile home. Use the Jøtul Floor Bracket Kit appropriate for your stove's leg; see the Accessories listing on p. 29.
2. Provision must be made to secure an electrical ground between the stove and the mobile home chassis.
3. The stove is installed in accordance with Title 24 CFR, Part 3280- Manufactured Home Construction and Safety Standard, in the U.S. In Canada, comply with CSA Z240.4, Gas Equipped Recreational Vehicles and Mobile Housing.
4. Always contact your local officials about installation restrictions and requirements in your area.

**THIS APPLIANCE MAY BE INSTALLED AS AN OEM INSTALLATION IN A MANUFACTURED (MOBILE) HOME AND MUST BE INSTALLED IN ACCORDANCE WITH THE MANUFACTURER'S INSTRUCTIONS AND THE MANUFACTURED HOME CONSTRUCTION AND SAFETY STANDARD, TITLE 24 CFR, PART 3280. THIS APPLIANCE IS ONLY FOR USE WITH THE TYPE OF GAS THAT IS INDICATED ON THE STOVE'S RATING PLATE. A GAS CONVERSION KIT IS PROVIDED WITH THE NORDIC QT DIRECT VENT GAS STOVE.**

**THIS APPLIANCE MAY BE INSTALLED IN AN AFTERMARKET PERMANENTLY LOCATED, MANUFACTURED (MOBILE) HOME, WHERE NOT PROHIBITED BY LOCAL CODES.**

**CET APPAREIL PEUT ETRE INSTALLE DANS UN MAISON PREFABRIQUEE (MOBILE) DEJA INSTALLEE A DEMEURE SI LES REGLEMENTS LOCAUX LE PERMETTENT. CET APPAREIL DOIT ETRE UTILISE UNIQUEMENT AVEC LES TYPES DE GAS INDIQUES SUR LA PLAQUE SIGNALETIQUE. NE PAS L'UTILISER AVEC D'AUTRES GAS SAUF SI UN KIT DE CONVERSION CERTIFIE EST INSTALLE.**

## Fuel Conversion

Your gas stove is shipped from the factory equipped to burn NATURAL GAS only. If PROPANE gas is to be used as fuel, the appliance must first be converted for use with propane.

**GF100 DV II Nordic QT:** Use Propane Conversion Kit 155628, supplied with the appliance.

**GF200 DV II Lillehammer:** Use Propane Conversion Kit 155626, supplied with the appliance.

### **WARNING:**

**THE CONVERSION KIT IS TO BE INSTALLED BY AN AUTHORIZED JØTUL SERVICE TECHNICIAN IN ACCORDANCE WITH THE MANUFACTURER'S INSTRUCTION AND ALL CODES AND REQUIREMENTS OF THE AUTHORITY HAVING JURISDICTION. FAILURE TO FOLLOW THESE INSTRUCTIONS COULD RESULT IN SERIOUS INJURY OR PROPERTY DAMAGE. THE QUALIFIED AGENCY PERFORMING THIS WORK ASSUMES RESPONSIBILITY FOR THIS CONVERSION.**

### **IN CANADA:**

**THE CONVERSION SHALL BE CARRIED OUT IN ACCORDANCE WITH THE REQUIREMENTS OF THE PROVINCIAL AUTHORITIES HAVING JURISDICTION AND IN ACCORDANCE WITH THE REQUIREMENTS OF THE CAN1-B149.1 AND .2 INSTALLATION CODE.**

### Tools required:

- 1/2" open ended wrench or deep-well socket, Torx T20 or slotted screwdriver, 4 mm allen wrench.

### Conversion Kit Contents:

- 1, regulator tower labeled for propane
- 3, regulator tower screws
- 1, burner orifice (GF 100: #48 for NG, #56 for LP)  
(GF 200: #46 for NG, 1.20 mm for LP)
- 1, pilot orifice (#51 for NG, #30 for LP)
- Label A - to be completed and applied to the back of the stove
- Label B - apply to the stove's Rating Plate
- Small valve label - apply to valve body

Conversion instructions are also shipped in the stove with the conversion kit.

## Gas Conversion Procedure

1. Turn off gas supply to stove.
2. Remove the stove Top Plate (3).
3. **GF 100 DV II Only:** Remove the front plate from the stove. Pull the casting straight up and out away from the side panels. Pull the panel upward with one hand while the other pushes against the top of the firebox.
4. Release the trunk latches at the top of the firebox. Carefully lift the glass frame up and out.
5. **Remove the Log Set** using care not to scratch or damage logs.
6. **Remove the burner skirt.** Using one hand, lift from under the rear lip and let the skirt rotate vertically. Then rotate counterclockwise to clear the firebox opening as shown in fig. 18.
7. **Change the Main Burner Orifice.** Fig. 19. Using a 1/2" open ended wrench or deep-well socket remove the burner orifice and replace with the appropriate orifice supplied in the kit.

GF 100 DV II - #48 for NG      #56 for LP

GF 200 DV II - #46 for NG      1.20 mm for LP

- 8 **CHANGE THE PILOT ORIFICE:** From within the firebox, remove the Pilot Head by pulling it straight up from the pilot base. See fig. 20.

Using the 4 mm allen wrench that is included with the conversion kit, unscrew the pilot orifice (counterclockwise). Replace with the appropriate orifice:

#51 for natural gas

#30 for propane gas

9. Tighten orifice into the base of the pilot assembly. To prevent bypass leaks, be sure the orifice is secured tightly and flush with the base. Replace pilot head by pushing it down onto the pilot base. See fig. 20.
10. **Replace the Variable Regulator.** Using a Torx T-20 screwdriver, remove the three specialty screws from the front of the valve regulator. See fig. 21.
11. **Remove the Regulator Tower, Gasket, white plastic disk, and Spring.** Discard these parts.
12. **Install the new variable regulator tower** being sure that the gasket is properly positioned and tighten screws securely.
13. **Install the identification labels** to the stove so that they can be seen by any person that may be servicing the stove.  
Label A: apply to back of stove.  
Label B: apply to stove's rating plate.  
Small valve Label: apply to valve.
14. **Reassemble the stove. CAUTION: Correct Burner position is critical to proper function.** Be certain that the burner plate is properly engaged with the pins on the firebox walls. The pins fit into the adjacent notches on the sides of the burner plate. See figure 22.

15. **Apply gas to the system and check for leaks** using a soapy water solution or electronic gas detector.

**NEVER USE AN OPEN FLAME TO CHECK FOR GAS LEAKS.**

Correct gas pressure is essential for efficient and safe operation of this appliance. Correct gas pressure must be established at the time of installation.

**NOTE: Minimum LP Inlet pressure is 12.0 w.c.**

For more details, see the Gas Pressure section of this manual (page 17).

**ALWAYS REFER TO THE LIGHTING INSTRUCTIONS ON THE INSIDE BACK COVER OF THIS MANUAL WHEN LIGHTING THE STOVE.**

16. **Adjust the Air Shutter:** Locate and loosen the wingnut that secures the Air Shutter. See fig. 26. It is under the stove, in the center toward the rear. Push the shutter stem back to restrict air and forward to increase air to the burner. You will need to experiment to find the best setting for your particular installation. The shutter is set at the halfway position at the factory.

**Be sure to tighten the wingnut on the Air Shutter stem snugly after any adjustment.** This ensures that the burner remains locked in place.

Figure 18.  
Remove the Burner Skirt from the stove.

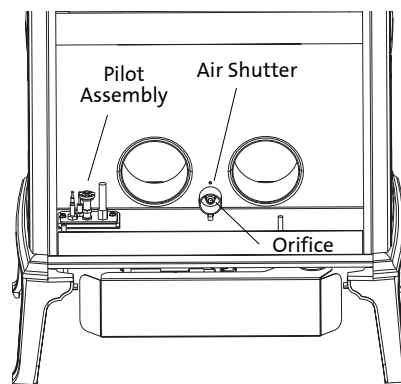
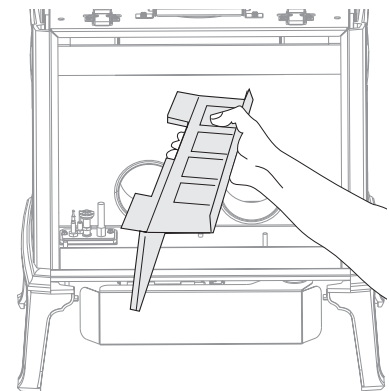


Figure 19.  
Burner orifice and pilot assembly locations.

## Gas Supply Connection

**NOTE: If the optional Blower will be installed, use a 90° Elbow off the valve to create adequate clearance for the main gas line.**

The gas supply line connection is made to the valve just inside the left rear leg. The gas supply line should be 3/8" npt with a 1/2" diameter supply, or the appropriate size to provide sufficient gas pressure to the valve regardless of the input setting.

The use of a Flexible Gas Appliance Connector is acceptable in many areas in the U.S. However, Canadian methods vary depending on local code.

ALL INSTALLATIONS MUST COMPLY WITH LOCAL CODE OR IN THE ABSENCE OF LOCAL CODE, MUST COMPLY WITH THE MOST RECENT EDITION OF THE NATIONAL FUEL GAS CODE ANSI Z223.1/NFPA 54 OR CAN-B149.

All codes require a gas shut-off valve (gas cock) and union, to be installed in the supply line, and in the same room as the appliance. This allows for the disconnection of the stove for servicing and maintenance. See fig. 23.

**A T-HANDLE GAS COCK IS REQUIRED IN MASSACHUSETTS TO COMPLY WITH CODE 248CMR.**

Secure all joints tightly using appropriate tools and sealing compounds. For propane units be sure to use compounds that are propane resistant. Turn on gas supply and test for gas leaks using a soapy water solution. Never use an open flame to check for leaks.

### Leak test:

1. Mix a 50-50 solution of water and dish soap.
2. Light appliance- see lighting instructions on the inside back cover of this manual or on the stove's rating plate.
3. Brush or spray all joints and connections with the soapy water solution.
4. If bubbles appear at any connection or tubing or a gas odor is detected, immediately turn gas control knob to the OFF position.
5. Tighten or reconnect the leaking joint and retest for any gas leaks.

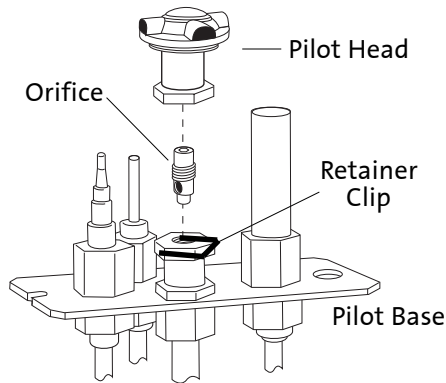


Figure 20.  
Pilot orifice removal and replacement.

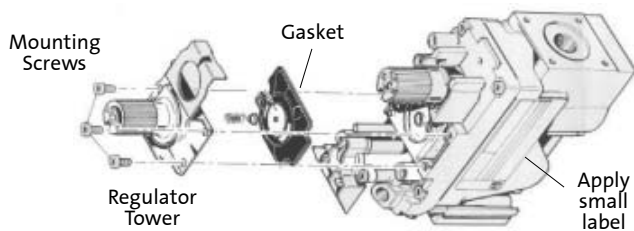


Figure 21. Regulator Assembly.

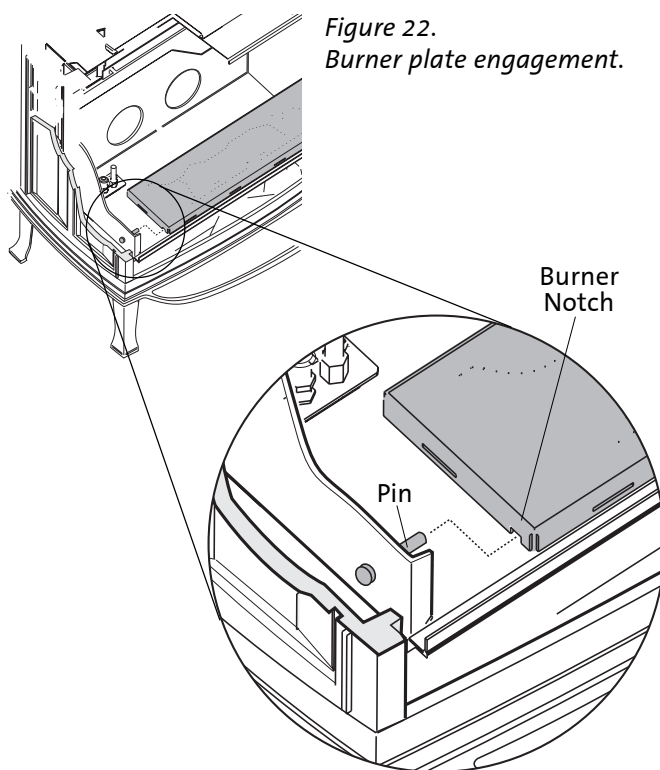


Figure 22.  
Burner plate engagement.

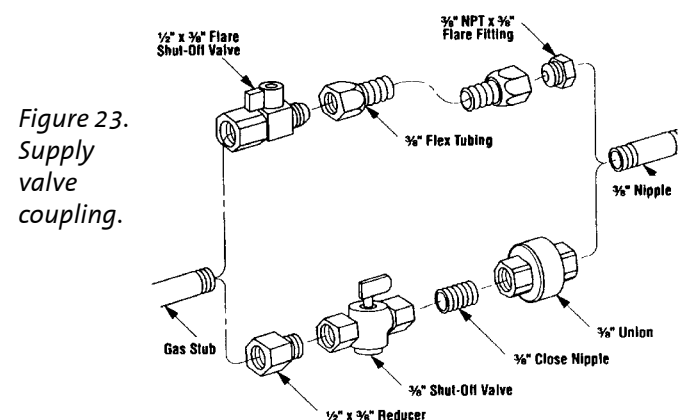


Figure 23.  
Supply valve coupling.

## Gas Pressure

Correct gas pressure is essential for efficient and safe operation. It is important that the correct pressure is established at the time of the installation. Proper gas pressure provides a consistent flow of gas to the appliance and is instrumental in checking for gas leaks.

**Pressure Test:** Attach a manometer to the appropriate test point on the valve. See fig. 24. The gauge connections are located on the front of the valve under the On/Off/Pilot- knob. Gauge connections are identified by:

**E** - for **Inlet or Supply Pressure** (the amount of gas coming to the valve.)

**A** - for **Manifold Pressure** (the amount of gas that is coming out of the valve to the burner.)

**ALWAYS TEST PRESSURES WITH VALVE CONTROL KNOB SET ON HIGH.**

### NECESSARY INLET GAS PRESSURES (inches water column)

	MIN	MAX
NATURAL GAS	5.0	7.0
PROPANE	12.0	14.5

The appliance and its appliance main gas valve must be disconnected from the gas supply piping system during any pressure testing on that system at test pressures in excess of 1/2 psig (3.5 kPa).

The appliance must be isolated from the gas supply line by closing its individual manual gas shut-off valve (gas cock) during any pressure testing of the gas supply piping system that is equal to or less than pressures of 1/2 psig (3.5 kPa).

### MANIFOLD PRESSURES (inches water column)

	MIN	MAX
NATURAL GAS	1.2	3.8
PROPANE	2.9	11.0

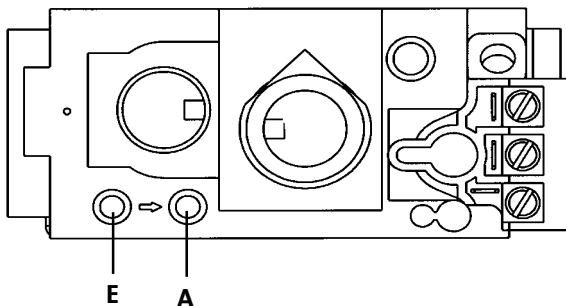


Figure 24. Pressure test points.

## High Altitude Adjustment

The decreased atmospheric pressure of higher altitudes affects heat value of gaseous fuels. Most gas suppliers derate the gas intended for use at elevations above 2000 feet. Check with your gas supplier before performing derate adjustment to the burner.

**The GF 100 DV II Nordic QT does not require adjustment for elevations up to 4500 ft. DO NOT DERATE.**

**The GF 200 DV II Lillehammer may be adjusted for altitude over 2000 ft. (610 - 1371 m). Check with your gas supplier and, if necessary, install High Altitude Adjustment Kit 155808 for Natural Gas, or Kit 155809 for Propane.**

See the chart below for appropriate orifice sizes and part numbers.

**IN THE U.S:**  
**THE DERATING KIT MUST BE INSTALLED BY AN AUTHORIZED SERVICE TECHNICIAN IN ACCORDANCE WITH THE MANUFACTURER'S INSTRUCTIONS AND ALL CODES AND REQUIREMENTS OF THE AUTHORITY HAVING JURISDICTION. THE INFORMATION LABEL MUST BE FILLED OUT BY THE INSTALLER AND APPLIED TO THE APPLIANCE AT THE TIME OF THE CONVERSION. THE QUALIFIED SERVICE AGENCY PERFORMING THIS WORK ASSUMES RESPONSIBILITY FOR THIS DERATING.**

**IN CANADA,**

**THIS UNIT HAS BEEN TESTED FOR INSTALLATION AT HIGH ALTITUDES IN ACCORDANCE WITH CANADIAN TEST STANDARD CAN/CGA-2.17.**

**THE DERATING SHALL BE CARRIED OUT IN ACCORDANCE WITH THE REQUIREMENTS OF THE PROVINCIAL AUTHORITIES HAVING JURISDICTION AND IN ACCORDANCE WITH THE REQUIREMENTS OF THE CAN1-B-149.1 AND .2 INSTALLATION CODE.**

For high altitude installations, consult your local gas distributor or the authority having jurisdiction for proper rating methods. If the appliance is converted for high altitude, the Conversion Label, supplied with the kit, must be filled out by the installer and applied to the appliance at the time of the conversion. See fig. 25.

## Flame Appearance - Air Shutter Adjustment

High Altitude Orifice Chart GF 200 DV II Only			
Elevation	Fuel	Orifice Size	Part No.
0 - 2000 ft. (0 - 610 m)	Natural Gas Propane	#46 1.20 mm	220975 221185
2001 - 4500 ft. (611 - 1370 m)	Natural Gas Propane	#47 #56	220976 129466

### Derating Procedure:

1. To derate this unit, install the appropriate orifice per the High Altitude chart.
2. Remove the Burner Skirt and Burner Plate to expose the main burner orifice.
3. Using a 1/2" open ended wrench or a deep-well socket remove the burner orifice.
4. Replace with the appropriate orifice from the high altitude kit.
5. **Be sure to apply the high altitude conversion label provided to the rating plate on the appliance.**

<p>THIS STOVE HAS BEEN CONVERTED FOR USE AT AN ALTITUDE OF: _____</p> <p>Orifice Size: _____ Manifold Press. _____</p> <p>Input Btu/Hr. _____ Fuel Type _____</p> <p>Date of Conversion _____</p>
---------------------------------------------------------------------------------------------------------------------------------------------------------------------------------------------------

Figure 25. This label must be filled out and applied to the appliance by the installer.

**WARNING: AIR SHUTTER ADJUSTMENTS SHOULD ONLY BE PERFORMED BY A QUALIFIED PROFESSIONAL SERVICE TECHNICIAN.**

The air shutter setting at the burner orifice can be adjusted to achieve the desired flame appearance. The shutter is set in the mid-range at the factory, however, you will want to adjust it if a fuel conversion kit has been installed or if the flame pattern is not as desired. The adjustment stem is located under the firebox, directly behind the gas control valve. Generally, flame appearance is a matter of preference, however most people enjoy a warm yellowish flame.

**Too much air** - the appliance will generate a flame that is blue and transparent, or an "anemic" flame.

**Not enough air** - the burner will generate very long yellow flames resulting in soot. Sooting produces black deposits on the logs, on the inside walls of the appliance, and potentially on the exterior termination cap.

Sooting is caused by incomplete combustion in the flames and lack of combustion air entering the air shutter opening. Open the shutter setting to allow more air.

### To adjust the air shutter:

1. Locate and loosen the adjustment stem wingnut protruding from the bottom of the firebox, directly behind the gas valve. See fig. 26.
2. Push the stem back to decrease air, or pull it forward to increase air. Make adjustments in small increments (1/8") and allow the burner to "settle in" for a few minutes before making another one. Small shutter adjustments can produce dramatic changes to flame characteristics.
4. Re-tighten the wing nut when the desired flame appearance has been achieved.

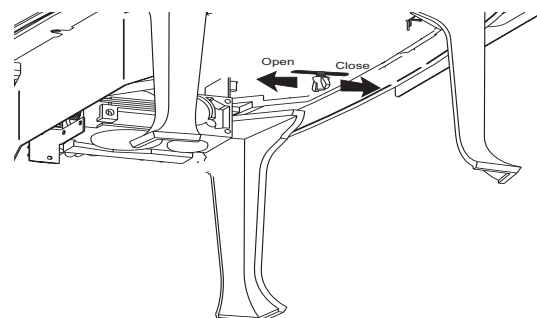


Figure 26.  
Air Shutter adjustment

## Optional Wall Thermostat or Remote Control

Use only a 750 millivolt DC two-wire circuit thermostat with this appliance. The thermostat should be placed in the same room as the heater, typically 5 feet off the floor. Avoid drafty areas or any area that may affect the accuracy of the thermostat.

**The thermostat should be connected to the Nordic QT using a minimum of 16 gauge wire with a maximum length of 35 feet of wire.**

Connect the two thermostat wire leads to the two lower terminals on the terminal block located directly to the right of the valve. Do not overtighten the connections. IT IS NOT NECESSARY TO DISCONNECT ANY OTHER WIRES. See Fig. 27.

For thermostatic operation, the On/Off/T-Stat switch on the back of the stove must be in the T-stat position, and the pilot light must be running, as it is the power source for the thermostat.

At the thermostat, the two wires should be connected to the two connection screws on the thermostat base plate per the manufacturer's instructions.

### Remote Control

When using a remote, the remote receiver should be wired to the terminal block the same way the thermostat would be. See the instructions above.

Follow the operating instructions included with the Remote Control unit.

#### CAUTION:

**LABEL ALL WIRES PRIOR TO DISCONNECTION WHEN SERVICING THE CONTROLS. WIRING ERRORS CAN CAUSE IMPROPER OR DANGEROUS OPERATION. ALWAYS VERIFY PROPER OPERATION AFTER SERVICING THE APPLIANCE.**

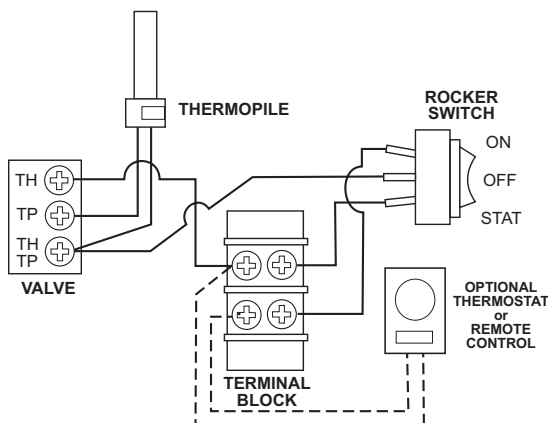


Figure 27. Accessory wiring diagram.

## Log Set Installation

NOTE: Install the optional Brick Kit, if appropriate, before installing the Log Set. See page 30.

The Log Set and Ember Stones are packaged in foam inside the firebox. These must be installed in the firebox prior to burner operation. Wear gloves to prevent skin irritation from the ceramic fibers.

Position the Rear Log assembly as shown in fig 28, engaging the pins on the burner skirt with the adjacent holes in the underside of the log.

Locate the Middle Log as shown in fig. 29.

Also included is a bag of ember stones that simulate glowing coals when the burner is operating. These should be spread thinly over the burner plate.

**NOTE: Keep the ember stones 1/4" away from the edge of the Burner Skirt. All the embers do not have to be used.**

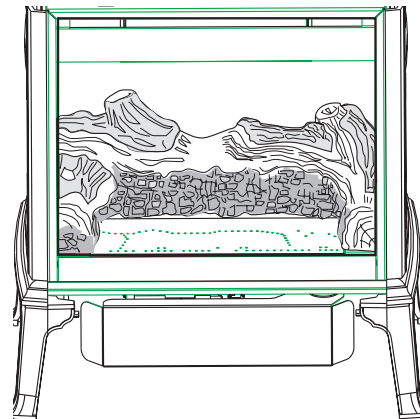


Figure 28. Install Rear Log.

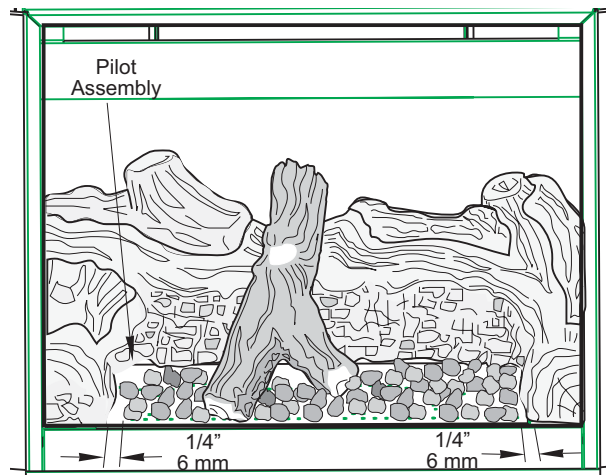


Figure 29. Middle Log and ember stones in place.

## System Check

**1. PURGING THE GAS LINE:** When lighting the appliance for the first time, it will take a few moments to clear the gas line of air. Once this purge is complete, the appliance will operate as described in the lighting instructions. See the inside back cover of this manual or the stove Rating Plate attached the bottom of the stove. Subsequent burner starts will not require purging the gas line unless the supply line is shut off.

**2. PILOT FLAME:** You can monitor the pilot flame through the opening at the upper left corner burner skirt, under the rear log. See fig. 29. The pilot flame should be steady - not lifting or floating. The flame should be blue in color around the pilot hood, with traces of yellow toward the outer edges.

The pilot flame should engulf the top 3/8" of the thermopile (to generate millivolt current) and the top 1/8" of the thermocouple. The pilot flame should project out of the pilot hood 1" at all three ports. See figs. 30.

**3. BURNER ADJUSTMENT:** This stove is equipped with a variable gas control valve that allows easy adjustment of the flame height appearance and heat output. To adjust the flame, rotate the HI/LOW knob, located in the center of the valve face.

NO SMOKE OR SOOT SHOULD BE PRESENT. CHECK LOG PLACEMENT IF ANY SOOT OR SMOKE IS PRESENT. IF SOOT OR SMOKE PERSISTS, THE AIR SHUTTER MAY NEED TO BE ADJUSTED.

See Air Shutter/Flame Appearance section of this manual for proper air shutter settings and adjustments. Note: the more offsets there are in the vent system, the greater the need for an air shutter adjustment. See page 30.

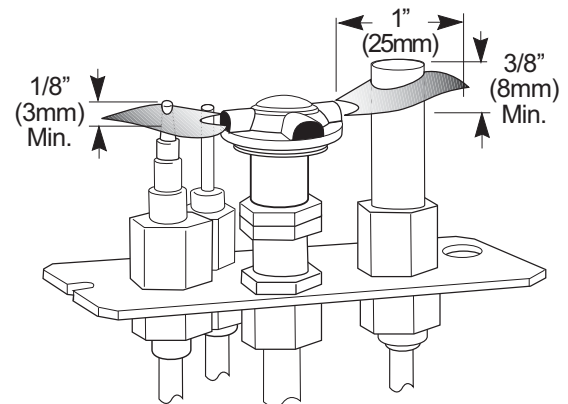


Figure 30. Proper pilot flame appearance.

### CAUTION:

**DO NOT ATTEMPT TO ALTER THE FLAME APPEARANCE BY POSITIONING THE GAS VALVE IN ANY OTHER POSITION OTHER THAN THE FULL "ON" POSITION.**



Figure 31. Flame appearance on the "high" setting after approximately 15 to 20 minutes burning.

### WARNING:

**AIR SHUTTER ADJUSTMENTS SHOULD ONLY BE PERFORMED BY A QUALIFIED PROFESSIONAL SERVICE TECHNICIAN.**

## Operation

Familiarize yourself with the controls of your stove. Make sure that anyone else using the appliance is also familiar with the controls and operation procedures. Always follow the Lighting Instructions on the inside back cover of this manual and also located on the Rating Plate attached to the burner assembly.

1. Once the pilot is lit, burner operation is controlled by the rocker switch located at the left rear corner of the stove. Use the T-STAT position for the optional thermostat or remote control functions. See fig. 32.
2. During the first few fires, you may notice odor and/or smoke from the stove. This is normal and results from burn-off of manufacturing residue and curing of materials. You may find it helpful to provide additional ventilation and fresh air to alleviate this condition.
3. Condensation may occur on the glass upon each lighting of the appliance. This “fog” will disappear as the appliance heats up.
4. Keep the controls and the area under the appliance free of debris, vacuum this area frequently. Always keep the appliance area clear and free from combustible materials, gasoline and other flammable liquids. If a vacuum is used during any service on the stove, ALWAYS be sure the stove is cold and there are NO hotembers or sparks.
5. This appliance has a continuous burning pilot flame. Exercise caution when using products having combustible vapors. Always shut-off gas supply while servicing the stove.
6. **CAUTION: DO NOT OPERATE THIS APPLIANCE WITH THE GLASS REMOVED CRACKED OR BROKEN.** Replacement of the glass should be done by a licensed or qualified service person. Use only replacement glass provided by your authorized Jøtul dealer. Never use any substitute materials.

**WARNING: OBSERVE CAUTION WITH THE GLASS. THE GLASS PANEL MAY SHATTER UNEXPECTEDLY IF STRUCK WITH AN OBJECT. ALWAYS HANDLE THE GLASS PANEL WITH CARE. WHEN SERVICING THE STOVE ALWAYS PULL THE GLASS ASSEMBLY STRAIGHT UP FOR REMOVAL.**

7. Clean the glass only when necessary. Wipe surface with a clean, damp soft cloth. Follow with a dry, soft towel as desired. Take care not to scratch the glass surface.

**WARNING: DO NOT USE ABRASIVE CLEANERS ON THE GLASS. NEVER CLEAN THE GLASS WHEN IT IS HOT.**

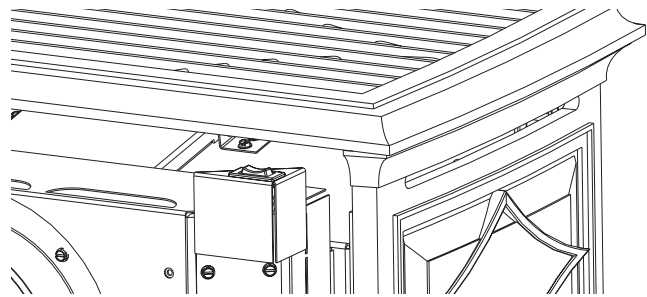


Figure 32. Burner Control Switch location.

## Maintenance

This appliance and its venting system should be inspected before use and at least annually by a qualified service technician.

### IMPORTANT:

**ALWAYS TURN OFF THE GAS SUPPLY TO THE STOVE BEFORE ANY SERVICE WORK IS PERFORMED ON THE STOVE.**

**Vent System:** The vent components should be inspected annually to confirm it is clear of obstructions and all connections are secure. Any joints disconnected must be resealed using high temperature sealant when reassembled.

**Firebox Cleaning:** The firebox should be vacuumed annually to remove any surface build up. Be sure to vacuum or wipe off the pilot assembly and burner orifice and burner tube. Handle the logset carefully as it is very fragile.

**Glass Cleaning:** Use warm water and a soft cloth. Do not use abrasive cleaning agents or strong detergents on the glass. Be sure the glass is cool before cleaning.

**Gasket Inspection:** Inspect the glass gasket at least annually. Examine the ribbon gasket for signs of deterioration and make sure the gasket has a positive seal. Replace the gasket if it appears worn or damaged. Refer to the replacement parts list on page 27.

### Glass and Gasket Replacement

**Only Use Replacement Kit 155599.**

1. Use a small screwdriver to pry the four retainer clips off of the glass frame. See fig. 33.
2. Peel away all remnants of the old gasket material and clean any adhesive residue off the glass.
3. Peel the paper backing off the replacement gasket to expose the adhesive.
4. Apply the gasket to the panel, wrapping the adhesive side down around the panel edge. See fig. 34.
5. Insert the gasketed glass panel into the frame and press the retainer clips back into place as shown.

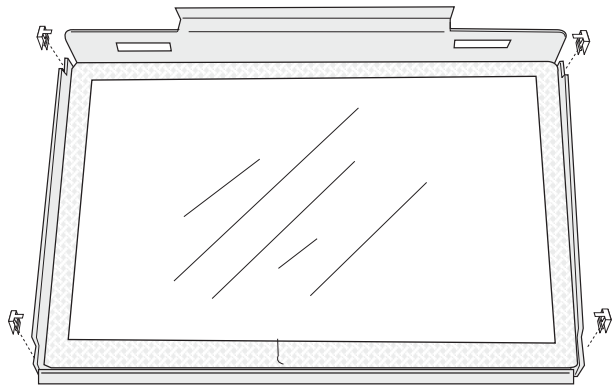


Figure 33. Removal and replacement of the glass panel.

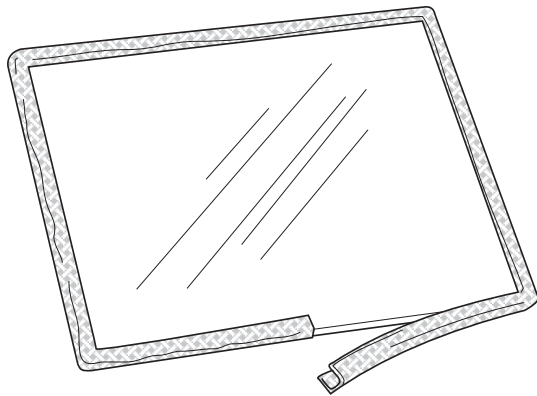


Figure 34. Wrap the gasket around the glass panel.

Always replace any damaged or broken parts with JØTUL AUTHORIZED PARTS ONLY. These are available through your Jøtul dealer. Never use any substitute parts on your stove.

With proper care and maintenance your appliance will provide you with many years of enjoyment. If you experience any problems or inconsistency with your stove, contact your authorized Jøtul dealer for assistance.

**RETAIN THIS MANUAL FOR REFERENCE AND  
MAKE IT AVAILABLE TO ANYONE USING OR  
SERVICING THE STOVE.**

Record the following information to help your dealer determine what you will need for parts and service.

**MODEL NAME:** \_\_\_\_\_

**SERIAL NUMBER:** \_\_\_\_\_

**DATE OF PURCHASE:** \_\_\_\_\_

**PURCHASED FROM:** \_\_\_\_\_

**NAME OF INSTALLER:** \_\_\_\_\_

**TYPE OF FUEL:** \_\_\_\_\_

**WAS STOVE CONVERTED?** \_\_\_\_\_

**NOTES:**

## Optional Blower # 155631

**CONNECT THE GAS SUPPLY TO THE STOVE BEFORE INSTALLING THIS BLOWER. USE A 90° ELBOW OFF THE GAS VALVE TO CREATE ADEQUATE GAS LINE CLEARANCE.**

- **THIS BLOWER MUST BE ELECTRICALLY GROUNDED IN ACCORDANCE WITH LOCAL CODES OR, IN THE ABSENCE OF LOCAL CODES, WITH THE CURRENT ANSI/NFPA 70, NATIONAL ELECTRICAL CODE OR CSA C22.1-CANADIAN ELECTRICAL CODE.**
- **THIS UNIT IS SUPPLIED WITH A THREE-PRONG (GROUNDING) PLUG FOR PROTECTION AGAINST SHOCK HAZARD AND SHOULD BE PLUGGED DIRECTLY INTO A PROPERLY GROUNDED THREE-PRONG RECEPTACLE. DO NOT CUT OR REMOVE THE GROUNDING PRONG FROM THE PLUG.**
- **ALWAYS DISCONNECT THE POWER SUPPLY WHEN PERFORMING ANY SERVICE ON THE FIREPLACE INSERT.**

### Contents

1. Blower
2. Snapstat Wire Harness
3. Control Box
4. Snapstat Bracket
5. Rheostat Knob
6. Snapstat
7. Mounting Bracket (GF100 DV II ONLY)
8. M6 Flange Nuts, (2)
9. M6 x 12 Hex Bolts, (2)
10. #8 x 1/2" Sheet metal screw, (4)

### Tools Required

- 1/4" socket driver
- 10 mm socket driver or wrench

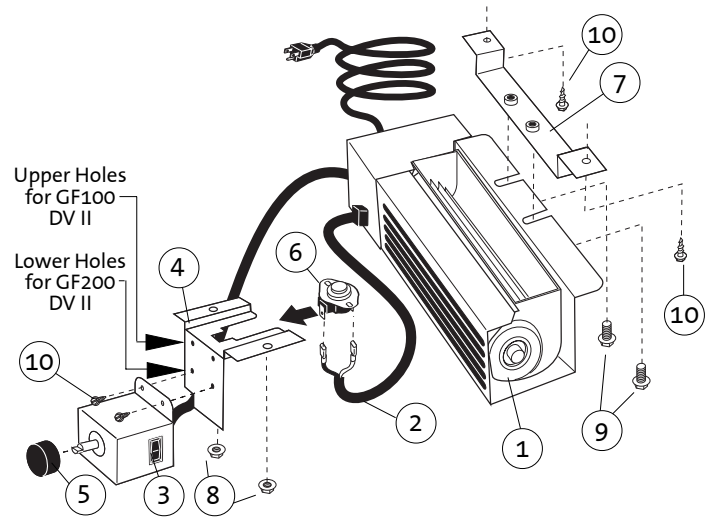


Figure 35. Blower Kit Components

## Installation

1. **Unpack and check the contents** of the blower kit. Contact your dealer if any damage is evident or parts are missing. See fig. 35.
2. **Attach the Control Box to the Snapstat Bracket** using two #8 x 1/2" sheet metal screws. As shown in fig. 35, use the pair of mounting holes appropriate for your stove.
3. **Attach the Control Box** to the studs located underneath the stove in the middle of the firebox floor using the two M6 hex nuts and a 10 mm socket driver or wrench. See fig. 36.

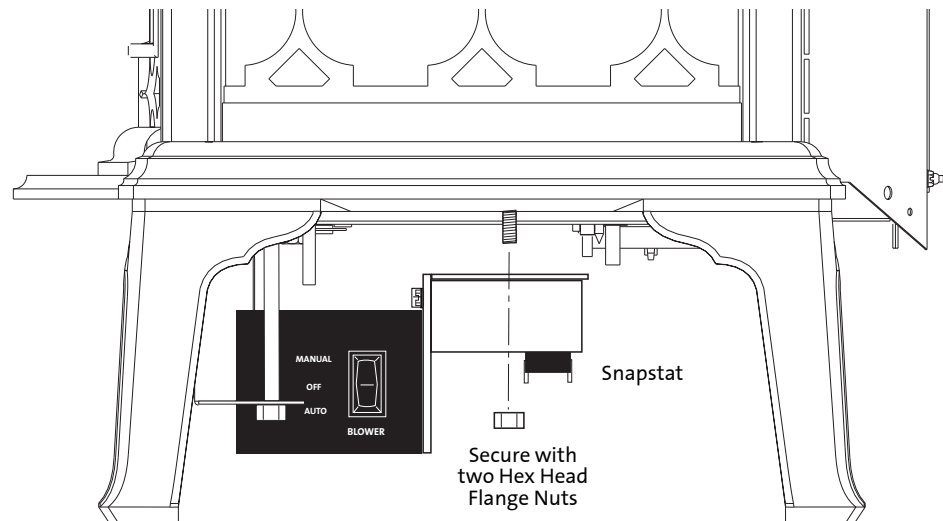
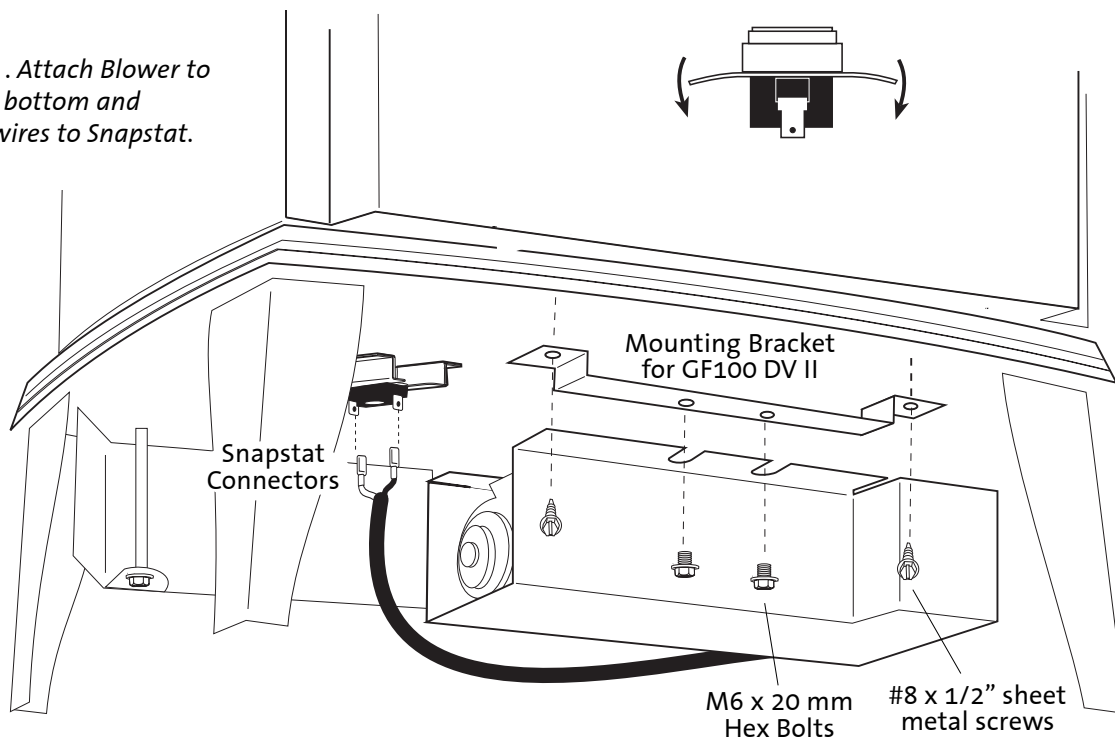


Figure 36. Attach Control Switch Box.

Figure 37. Attach Blower to the stove bottom and connect wires to Snapstat.



**4. Attach the Blower to the stove.**

**GF 100 DV II:** First install the Mounting Bracket to the holes in the bottom of the rear shroud using two #8 x 1/2" sheet metal screws. Then attach the Blower to the Mounting Bracket using the two M6 flange head hex bolts as shown in fig. 35 and 37.  
**GF 200 DV II:** Attach the Blower directly to the tapped hole in the cast iron stove bottom using the two M6 flange head hex bolts.

**5. Attach either Snapstat wire connector to either Snapstat terminal.** See figs.35 and 37.

**6. Connect power cord to the nearest outlet.**

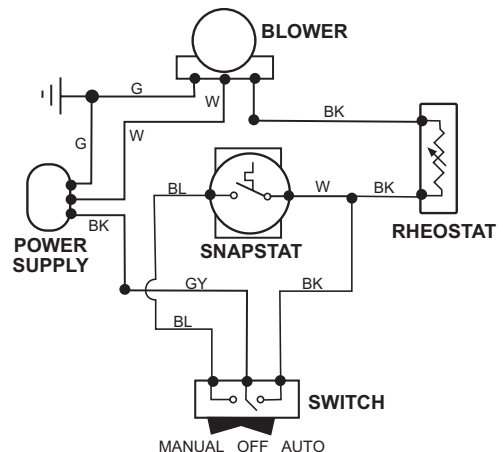


Figure 38. Blower Wiring Diagram

## Blower Operation

The variable-speed blower will enhance heat circulation around the firebox and out into the room. The blower is controlled by a heat activated switch (snapstat) that will ONLY function when the control switch is in AUTO setting. After the fire has been burning for a time, the snapstat will react to the heat and activate the blower. Fan speed may be manually adjusted with the rheostat knob. If the burner turns off, the blower will be shut off automatically when the stove cools down.

If automatic blower circulation is not desired, place the blower control switch in the MANUAL position.

**CAUTION:**

**LABEL ALL WIRES PRIOR TO DISCONNECTION WHEN SERVICING CONTROLS. WIRING ERRORS CAN CAUSE IMPROPER AND DANGEROUS OPERATION.**

**VERIFY OPERATION AFTER SERVICING.**

**ATTENTION:**

**Au moment de l'entretien des commandes, étiquetez tous le fils avant le débranchement. es erreurs de cblage peuvent entra tun fonctionnement inadquat et dangereux.**

# GF 100 DV II / GF 200 DV II Illustrated Parts Breakdown / Firebox Assembly

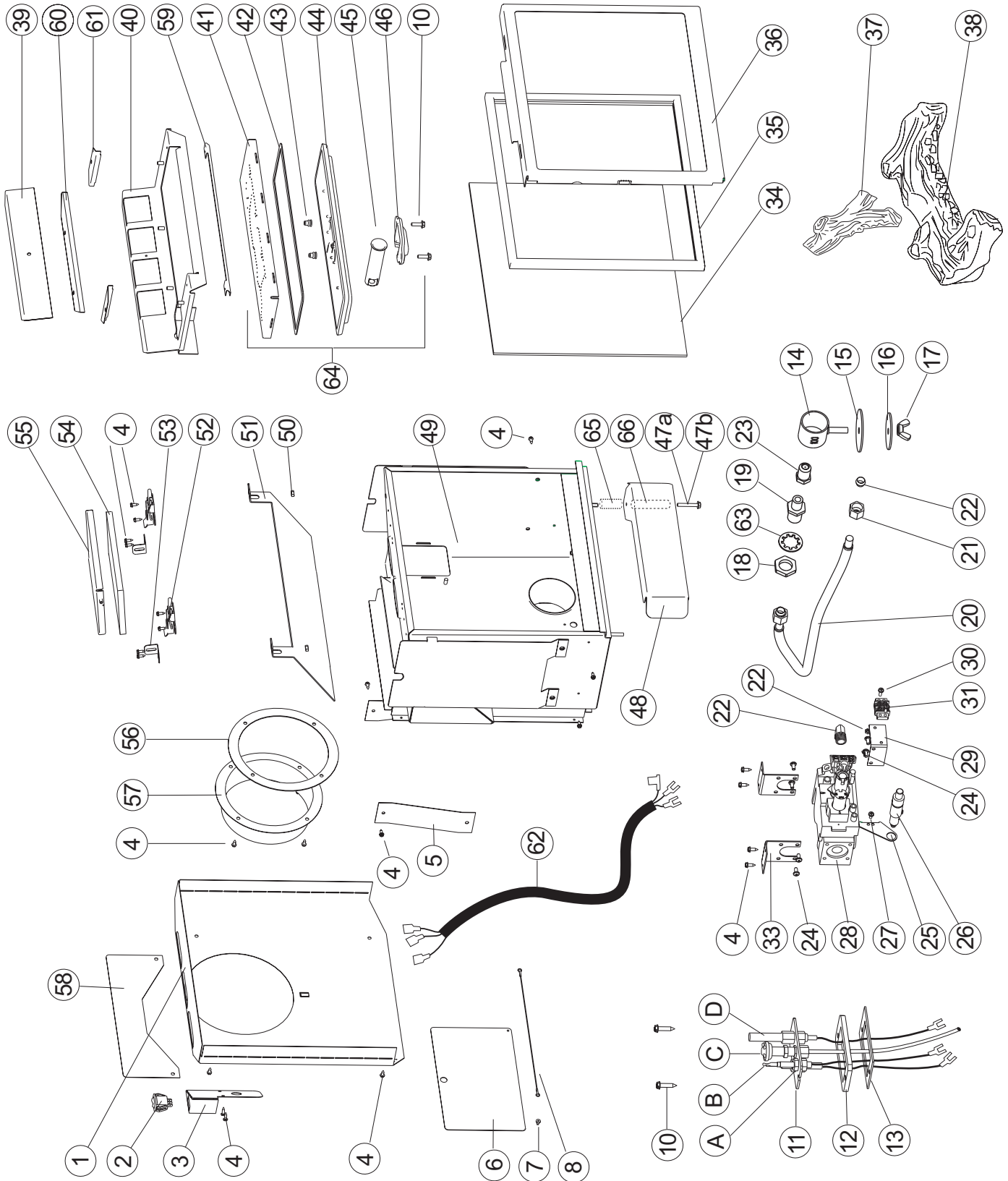


Figure 39.

# Parts List - GF 100 DV II / GF 200 DV II Firebox Assembly

Part Description	Part Number
1. Rear Shroud, Matte Black .....	22055592
Rear Shroud, Jøtul Iron .....	22055585
2. Burner Control Switch .....	129123
3. Switch Box, Matte Black .....	22092592
Switch Box, Jøtul Iron .....	22092585
4. Sheet Metal Screw, #8 x 1/2" .....	117117
5. Air Diverter .....	220981
6. Rating Plate .....	220920
7. Rivet, 1/8" .....	117946
8. Lanyard Cable .....	129159
9. Bolt, M6 x 20 .....	117117
10. Screw, #8 x 3/4" Hex .....	117986
11. Pilot Assembly .....	129471
A. Electrode .....	129765
B. Thermocouple .....	129766
C. Pilot Line w/ Fittings .....	129446
D. Thermopile .....	3094527
12. Pilot Spacer .....	220546
13. Pilot Gasket .....	129670
14. Air Shutter .....	220928
15. Air Shutter Gasket .....	221107
16. Wing Nut .....	117975
17. Washer, 25 x 1 1/2" .....	118029
18. Jam Nut .....	129152
19. Orifice Holder .....	220643
20. Main Gas Flex Tube .....	129390
21. Compression Nut .....	129464
22. Compression Sleeve .....	129463
23. Burner Orifice, #48 NG / GF100 .....	129407
Burner Orifice, #56 LP / GF100 .....	129466
Burner Orifice, #46 NG / GF200 .....	220975
Burner Orifice, 1.20 LP / GF200 .....	221185
24. Screw, 10-32 x 3/8" Phillips .....	117911
25. Ignitor Bracket .....	3902576
26. Ignitor .....	3902573
27. Screw, M4 x 8 Phillips .....	117920
28. Gas Valve, 50% Turn-down - NG .....	220520
29. Terminal Block Bracket .....	220930
30. Screw, M4 x 12 Phillips .....	117921
31. Terminal Block, 2 Pole .....	129154
32. Nut, M4 Hex .....	117922
33. Valve Retainer .....	220924
34. Glass, Ceramic .....	220576
35. Glass Gasket, Tadpole .....	129124
36. Glass Frame, Matte Black .....	22136592
Glass Frame, Jøtul Iron .....	22136585
Glass Replacement Kit .....	155599

Part Description	Part Number
37. Middle Log .....	221105
38. Rear Log .....	221104
Log Set w/ Embers .....	155816
*Ember Stones, 4 oz. ....	129123
39. Dilution Air Cover .....	221108
40. Burner Skirt .....	220797
41. Burner Plate .....	220793
42. Burner Gasket .....	220941
43. Burner Fastener, M6 AS Series .....	118007
44. Burner Base .....	104253
45. Venturi Tube .....	220796
46. Tube Holder, Cast Iron .....	103992
47a. Valance Bolt, M6 x 100 Hex Hd .....	117955
(for GF 100 DV II)	
47b. Valance Bolt, M6 x 130 Hex Hd .....	118033
(for GF 200 DV II)	
48. Valance Door, Matte Black .....	22093192
Valance Door, Jøtul Iron .....	22093185
49. Firebox .....	221324
50. Hex Nut, M6 .....	9930
51. Exhaust Baffle .....	220927
52. Glass Frame Latch .....	129135
53. Relief Door Guide .....	129499
54. Relief Door Gasket .....	220735
55. Relief Door .....	220589
56. Adapter Pipe Gasket .....	129118
57. Adapter Pipe .....	129322
58. Wallshield, Matte Black .....	22092692
Wallshield, Jøtul Iron .....	22092692
59. Air Deflector, Burner Skirt .....	221109
60. Rear Restrictor Plate, Matte Blk ...	22111092
Rear Restrictor Plate, Jøtul Iron ...	22111085
61. Side Restrictor Plate, Matte Blk ...	22099192
Side Restrictor Plate, Jøtul Iron ...	22099185
62. Wire Harness, Burner Control .....	155813
63. Star Washer .....	118032
64. Burner, Complete .....	155600
65. Valance Hinge Spacer, 1" GF200 only .	118039
66. Valance Hinge Spacer, 3" .....	118040
67. *Orifice Retainer .....	221367
68. *Tinnerman Clip (4) .....	220044

*\* Parts not illustrated*

**ALWAYS USE REPLACEMENTS PARTS  
PROVIDED BY AN AUTHORIZED JØTUL  
DEALER ONLY.**

# Illustrated Parts Breakdown / Cast Iron and Associated Hardware

## GF 100 DV II Nordic QT

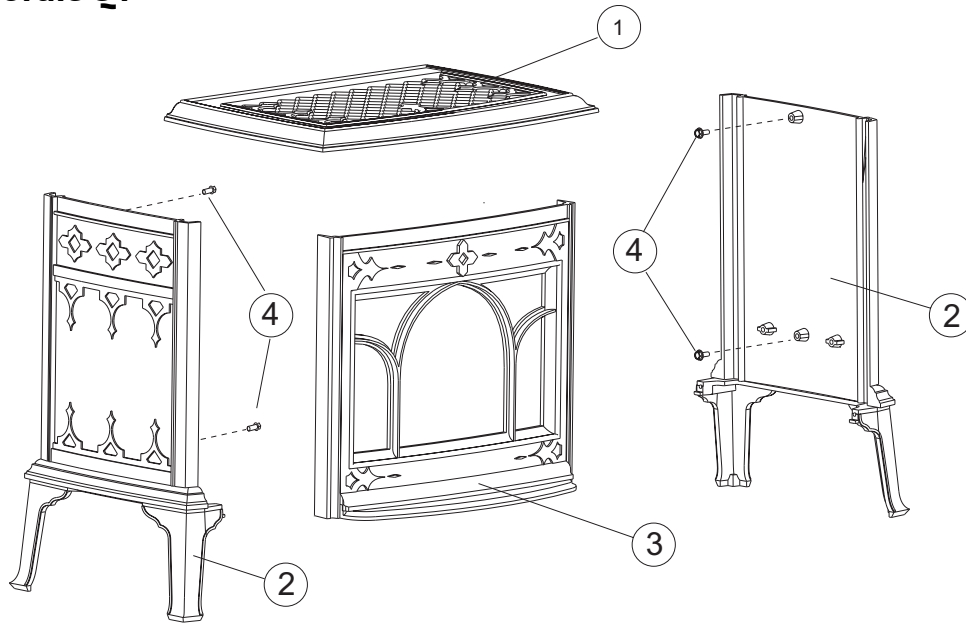


Figure 40.

## GF 200 DV II Lillehammer

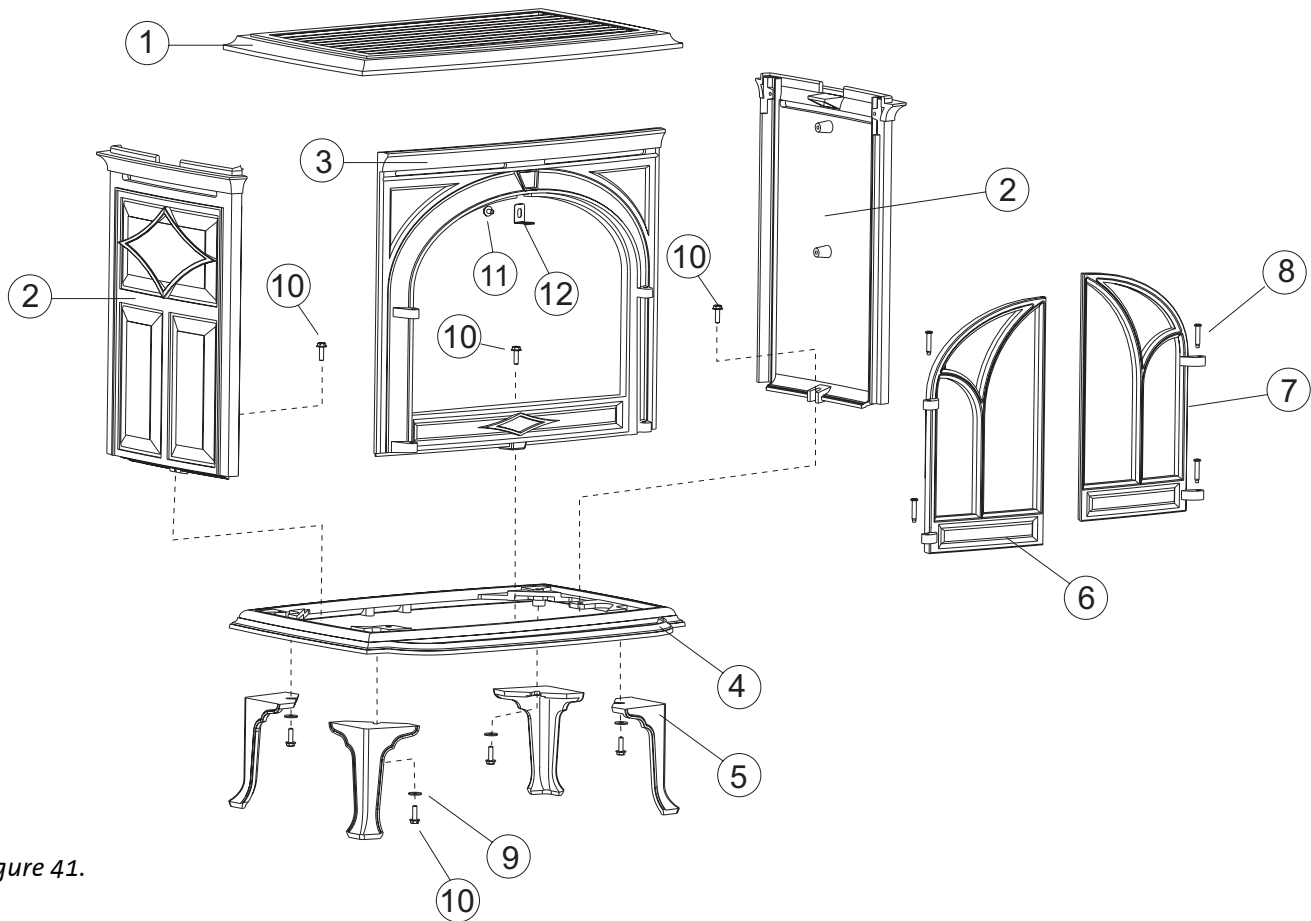


Figure 41.

# Cast Iron Parts List

## GF 100 DV II Nordic QT

	Cast Iron Parts	Matte Black	Blue Black	Ivory	Forest Green	Jøtul Iron	Jøtul Iron Enamel
1.	Top Casting	10391092	10391027	10391029	10391032	10391085	10391046
2.	Side Panel	10426992	10426927	10426929	10426932	10426985	10426946
3.	Front Panel	10390992	10390927	10390929	10390932	10390985	10390946
4.	Screw, M6 x 12 Truss Head Phillips, (4) ..... 118045						

## GF 200 DV II Lillehammer

	Cast Iron Parts	Matte Black	Blue Black	Ivory	Forest Green	Jøtul Iron	Jøtul Iron Enamel
1.	Top Casting	10390692	10390627	10390629	10390636	10390685	10390646
2.	Side Panel	10390792	10390727	10390729	10390736	10390785	10390746
3.	Front Panel	10390592	10390527	10390529	10390536	10390585	10390546
4.	Bottom Plate	10390092	10390027	10390029	10390036	10390085	10390046
5.	Leg, 6"	10195292	10195227	10195229	10195236	10195285	10195246
6.	Left Door	10425592	10425527	10425529	10425536	10425585	10425546
7.	Right Door	10425692	10425627	10425629	10425636	10425685	10425685
	Front Assembly*	15592392	155925	155927	155929	15592385	156156

\* Front Assembly includes Front, Left & Right Doors, and Hinge Pins

### Hardware- GF 200 DV II

- 8. Hinge Pin, (4) ..... 129560
- 9. Fender Washer, M6 (4) ..... 120004
- 10. Bolt, M6 x 20, (4) ..... 117117
- 11. Bolt, M6 x 10 Hex Hd Flange ..... 9962
- 12. Door Catch ..... 220919

### GF 100 DV II Accessories

- Blower Kit ..... 155631
- Antique Brick Kit ..... 155815
- Fuel Conversion Kit - LP ..... 155628
- Fuel Conversion Kit - NG ..... 155629
- Wall Thermostat ..... 750003
- Remote Control ..... 129706
- Mobile Home Floor Bracket Kit ..... 154342

### GF 200 DV II Accessories

- Fuel Conversion Kit - LP ..... 155626
- Fuel Conversion Kit - NG ..... 155627
- High Altitude Adjustment Kit - NG ..... 155808
- High Altitude Adjustment Kit - LP ..... 155809
- Blower Kit ..... 155631
- Antique Brick Kit ..... 155815
- Wall Thermostat ..... 750003
- Remote Control ..... 129706
- Mobile Home Bracket Kit .... GF200DVII (6") / 154923  
..... for Long Legs (8") / 750304  
..... for Plinth Kit / 154342
- Long Leg Kits ..... Matte Black / 154929  
..... Blue Black / 154930  
..... Forest Green / 154931  
..... Ivory / 154932  
..... Jøtul Iron / 155366
- Plinth Kits ..... Matte Black / 350081  
..... Blue Black / 350082  
..... Ivory / 350083  
..... Forest Green / 350084  
..... Jøtul Iron / 350085

# Optional Antique Brick Panel Kit 155815 Installation

**CAUTION!**  
**THE BRICK PANELS ARE EXTREMELY FRAGILE. HANDLE WITH CARE. WEAR SAFETY GLOVES TO PROTECT HANDS.**

- 1. Remove the Top Plate.** Simply lift it up off of the stove body. It is not fastened.
- 2. GF 100 DV II ONLY: Remove the Front Plate** by lifting straight up to disengage it from the sides.
- 3. Remove the Glass Frame.** Disengage the two trunk latches located at the top of the firebox and lift the glass frame up and out of the firebox.
- 4. If installed, remove the Logset.**  
These parts are not fastened. Simply lift them out of the firebox. You do not have to remove the embers.
- 5. Install the Lower Panel.**  
Position it up against the back wall, resting on the Burner Skirt. Fig. 43.
- 6. Install one of the Side Panels,** pushing it up against the firebox wall. Fig. 44
- 7. Position the Upper Panel.** You should seat the Upper Panel down and forward so that no gaps are evident at the panel joints, as in Fig. 44.
- 8. Install the other Side Panel** while holding the Upper Panel in position.  
Adjust the panels so that the mortar joints align with those adjacent.
- 9. Install the Logset.** Refer to pg. 20.  
**BE CERTAIN THAT NO EMBERS ARE BLOCKING THE PILOT ASSEMBLY OPENING.**
- 10. Replace the Glass Frame.**  
Slide the frame down the slot in the front of the firebox. Be sure to push the frame into the slot in the bottom to ensure it is fully seated. The gasket at the top of the frame should be flush with the top of the firebox.  
Re-engage the trunk latches with the top lip of the glass frame.
- 11. Replace the Top Plate.**

**Tools Required:** Safety glasses and gloves

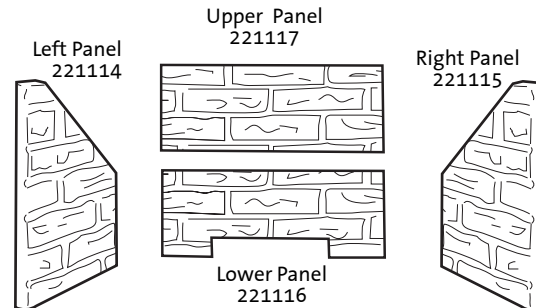


Figure 42. Brick Panel Kit Contents.

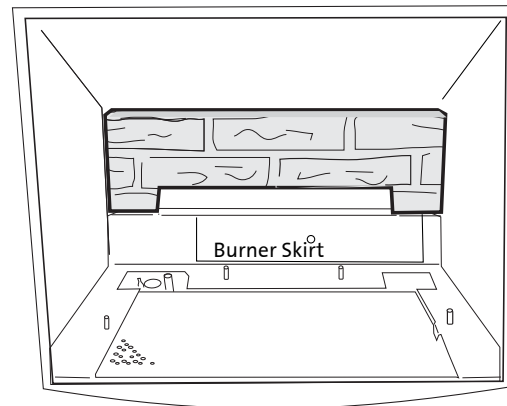


Figure 43. Install the Lower Rear Panel

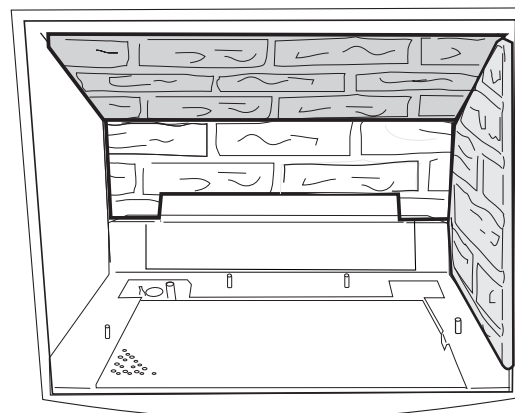


Figure 44. Install the Upper and Side Panels.

# LIGHTING INSTRUCTIONS

## FOR YOUR SAFETY, READ BEFORE LIGHTING.

**WARNING:**  
**IF YOU DO NOT FOLLOW THESE INSTRUCTIONS EXACTLY, A FIRE OR EXPLOSION MAY RESULT CAUSING PROPERTY DAMAGE, PERSONAL INJURY, OR LOSS OF LIFE.**

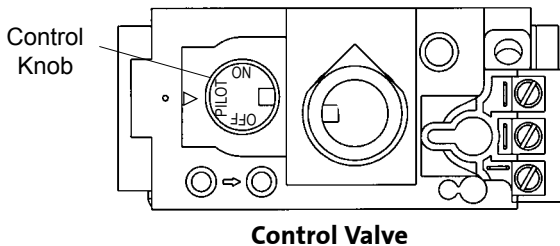
- A.** This appliance has a pilot which must be lit by hand. When lighting the pilot, follow these instructions exactly.
- B. BEFORE LIGHTING,** smell all around the appliance area for gas. Be sure to smell next to the floor because some gas is heavier than air and will settle to the floor.

**WHAT TO DO IF YOU SMELL GAS:**

- Extinguish any open flame.
  - Open windows.
  - Do not light any appliance.
  - Do not touch any electrical switches.
  - Do not use any phone in your building.
  - Immediately call your gas supplier from a neighbor's phone.
- If your gas supplier cannot be reached, call the fire department.
- C.** Use only your hand to push in or turn the gas control knob. Never use tools. If the knob will not push in or turn by hand, do not try to repair it. Call a qualified technician. Force or attempted repair may result in a fire or explosion.
- D.** Do not use this appliance if any part has been under water. Immediately call a qualified service technician to inspect the appliance and to replace any part of the control system and any gas control which has been under water.

## LIGHTING INSTRUCTIONS

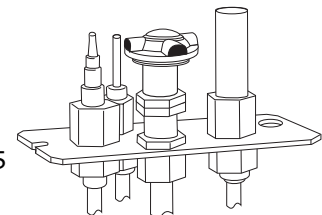
1. STOP! Read the safety information above.
2. Access the lower controls.
3. Turn the stove ON/OFF switch to "OFF", or set the thermostat to lowest setting (if used).
4. Confirm that the gas supply line shut-off valve is open.



**Control Valve**

5. Push in gas control knob slightly and turn clockwise to "OFF".  
 NOTE: Knob cannot be turned from "PILOT" to "OFF" unless the knob is pushed in slightly. Do not force.
6. Wait five (5) minutes to clear out any gas. If you then smell gas, STOP! Follow "B" in the safety information above on this page. If you do not smell gas, go to the next step.

7. Push in gas control knob slightly and turn counter-clockwise to "PILOT".
8. Push in control knob all the way and hold in. Immediately light the pilot by triggering the spark ignitor (push the red button repeatedly) until pilot lights. Continue to hold the control knob in for about one minute after the pilot lights. Release knob and it should spring back. The pilot should remain lit. If it goes out, repeat Steps 5 through 8.



**Pilot Assembly**

- If knob does not return when released, stop and immediately call your service technician or gas supplier.
  - If pilot will not stay lit after several tries, turn the control knob to OFF and call your service technician or gas supplier.
9. Turn gas control knob counterclockwise to "ON".
  10. Turn the stove ON/OFF switch to "ON", or set thermostat (if used) to desired temperature.

## TO TURN OFF GAS TO THE APPLIANCE:

1. Turn ON/OFF switch to "OFF". The pilot will remain lit for normal service.
2. For complete shutdown, turn ON/OFF switch to "OFF".
3. Access the lower controls.
4. Depress gas control knob slightly and turn clockwise to "OFF". Do not force.

August 2005  
138003 D

This appliance must be installed in conformance with local and national building regulations. Before beginning the installation, it is important that these instructions be carefully read and understood. Jøtul maintains a policy of continual product development. Consequently, products may differ in specification, color or type of accessories from those illustrated or described in various publications.

Jøtul vise sans cesse à améliorer ses produits. C'est pourquoi, il se réserve le droit de modifier les spécifications, couleurs et équipement sans avis préalable.



**Jøtul AS**  
P.O. Box 1411  
N-1602 Fredrikstad  
Norway

**Jøtul North America**  
55 Hutcherson Drive  
Gorham, Maine 04038-2634