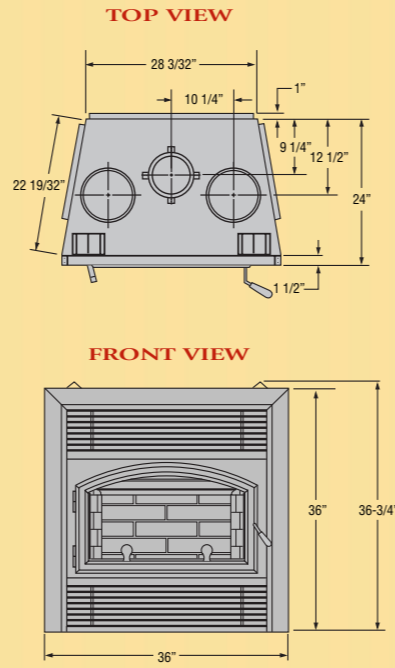
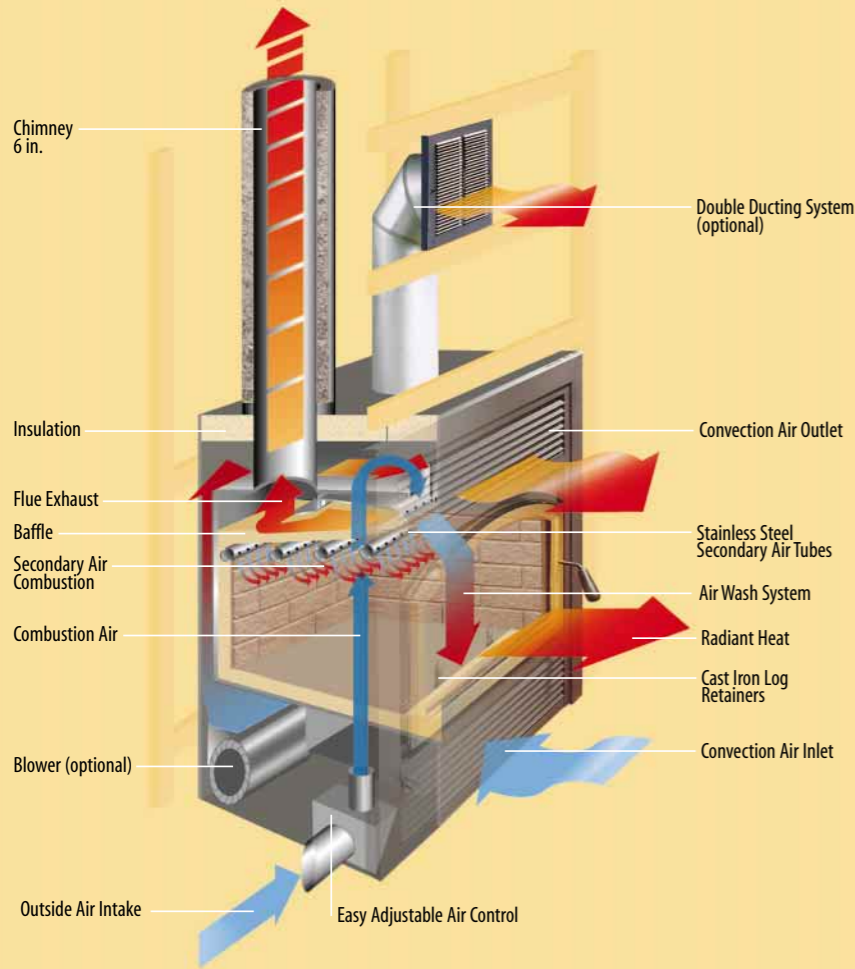


# ENGINEERED TO BE THE BEST



# THE ULTIMATE IN BEAUTY & EFFICIENCY



### STANDARD FEATURES:

- Single door (European cast iron) for unobstructed view of the fire
- Ceramic glass for safety and optimum heat transfer
- Two styles of door Victorian or Contemporary in 24k gold plated or black
- Efficient air wash system keeps the glass clean
- Firebox insulated on top and on the side
- Decorative louvers
- Decorative cast iron log retainers
- Textured refractory lined firebox recreates a traditional masonry appearance
- Airtight combustion chamber for maximum efficiency
- Double air combustion control (all in one)
  - Main control for variable heat output and wood consumption
  - Air boost control for faster wood ignition and efficient combustion
- Knock-out on sides and back for easy connection to forced air system\*
- Elegant heat resistant handle always cool to the touch

### SPECIFICATIONS:

- Zero clearance to combustible material
- Maximum heat efficiency up to 72%
- Btu/hr 55,000
- Chimney 6" I.D. Model ASHT+, S-2100+ or Air Cooled
- Masonry installation with TUBINOX rigid stainless steel liner (optional)
- Burn time 6 – 8 hours
- Overall firebox capacity 2.00 cu. Ft.
- Log size 20"
- Warnock Hersey approved to ULC S610 and UL 127 standards
- EPA approved and Washington state approved 3.7g/hr
- Can heat between 1,000 – 1500 sq.ft.

### OPTIONS:

- Blowers
- Outside air kit
- Rigid fire-screen
- Clean face option
- \*Forced air heating kit for furnace hook-up (not EPA approved)
- Gravity Kits
  - Double duct in brass or black
  - Single duct in brass or black

\* Canada only

Thanks to a versatile VENTING SYSTEM, the BIS ULTIMA can be connected in a variety of venting configurations. In fact, the BIS ULTIMA can be set up in any area of your home, whether upstairs, downstairs or both.



\*Canada only.

Authorized Dealer

**SECURITY CHIMNEYS INTERNATIONAL**

Security Chimneys International Ltd.  
2125 Monterey, Laval (Québec)  
Canada, H7L 3T6  
Tel.: (450) 973-9999 Fax: (450) 973-2222



Security Chimneys International is certified ISO 9001, your guarantee of quality and satisfaction for years to come.

Printed in Canada  
ABISULTIMA  
03-2002  
REV: 0


Nothing expresses warmth better than the full-featured, high performance BIS ULTIMA.

1. Single door provides an unobstructed view of the flames
2. Decorative louvers and picture-frame contour enhance aesthetic appeal
3. Textured refractory-lined firebox creates a traditional masonry appearance
4. Elegant heat resistant handle
5. Double, all-in-one air combustion control with air boost provides variable heat output as well as better wood ignition, combustion and consumption
6. Knock-outs on sides and back make for easy connection to forced air system (Canada only)



HOMES OF DISTINCTION PROJECT WARMTH AND NOTHING EXPRESSES AND ENHANCES WARMTH BETTER THAN A BIS ULTIMA. WITH ITS SINGLE DOOR DESIGN AND ELEGANT STYLING, THIS TOP-OF-THE-LINE, EASY TO INSTALL, EPA-APPROVED AND WASHINGTON-STATE-APPROVED WOOD-BURNING FIREPLACE MAKES ANY ROOM INTO A SHOWPLACE. BUT AESTHETIC APPEAL IS ONLY HALF THE STORY. LIKE THE REST OF THE MARKET-LEADING BIS FAMILY,

THE BIS ULTIMA IS ALSO A TOP PERFORMER. FEATURES SUCH AS AN AIRTIGHT COMBUSTION CHAMBER FOR MAXIMUM WOOD-BURNING EFFICIENCY, AND A DOUBLE AIR COMBUSTION CONTROL WITH AIR BOOST FOR VARIABLE HEAT OUTPUT AND BETTER WOOD IGNITION, EFFICIENT COMBUSTION AND CONSUMPTION SET IT APART. THE BIS ULTIMA

ALSO INCORPORATES CERAMIC GLASS FOR OPTIMUM HEAT TRANSFER, AND A UNIQUE AIR WASH SYSTEM THAT HELPS TO KEEP THE GLASS CLEAN. EMBRACE THE BIS ULTIMA AND WATCH IT BRING A WHOLE NEW WORLD OF WARMTH AND BEAUTY TO YOUR HOME. 



Victorian

Contemporary

Available with either a Victorian or a Contemporary arch, cast iron door in 24-karat gold plated or black are designed to complement today's most attractive homes.

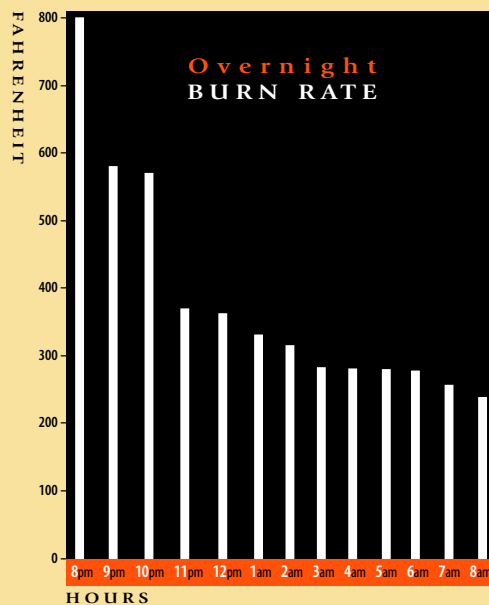
EXPERIENCE THE WARMTH

**BIS**  
*Ultima*

The ultimate in energy-efficient, wood burning fireplaces from the top-of-the-line member of the industry-leading BIS family



Nothing expresses warmth better than the full-featured, high performance BIS ULTIMA.



Engineered with a secondary burn for the burn-off of gases, the BIS ULTIMA offers maximum energy efficiency while consuming the least amount of fuel. It's an investment that virtually pays for itself over time.

Results obtained after 1 hour of burning time.

