



# COUNTRY<sup>®</sup> STOVES

A LIFETIME OF WARMTH



WOOD FREESTANDING **STOVES**

“Country Stoves has always been a company passionate about creating quality, warmth, and comfort. For 28 years, this passion has been handcrafted into each stove. That’s why thousands of families have trusted us with providing the warmth and comfort they were looking for. By owning a Country Stove, you too can experience the passion, performance, and warmth that is Country.”

Wishing you a lifetime of warmth,

*R.B. Schif*

## FROM OUR FAMILY TO YOURS

At Country, we take family seriously.

Country Stoves is one of the few manufacturers of stoves that remains independently owned and operated. It’s a family business – has been since its inception in 1977 – and remains today proudly independent and operated by the same family. Our reputation is built on beautiful, innovative hearth products that stand the test of time.

Every stove that leaves our plant, wood, gas, or pellet, is built as if it will be our home it’s heating, our family it keeps warm and cozy. That’s the way its always been done at Country. We remain dedicated to incorporating the latest technology and design to make our products the most efficient, reliable, environmentally friendly, and beautiful products on the market today.

We’ve grown and changed over the years, but we haven’t lost what made us successful to begin with – a dedication to providing you and your family a lifetime of warmth.

That’s a commitment from our family to yours.



### LIMITED LIFETIME WARRANTY

We are proud to stand behind our stoves and we prove it by offering a Limited Lifetime Warranty on all of our products. See your Country Stoves professional for more details.

## ANATOMY OF A COUNTRY WOOD STOVE:

At Country, we are dedicated to the clean and efficient use of wood, our renewable resource. Today, the Country name is virtually synonymous with quality built, clean burn technology – our wood stoves are all EPA Phase II certified. Each Country wood stove is built with an exclusive non-catalytic combustion system that not only burns the wood, but also the smoke, providing clean emissions, a clear viewing window, and extra heat. Using a unique combination of premium grade materials, quality craftsmanship, and cutting-edge technology we ensure that every wood stove we make will provide a lifetime of warmth.

### 1 Ceramic Fiber Blanket

This technology developed by the engineers at NASA, but introduced to the hearth industry by Country Stoves, has 10 times the insulation value of firebrick. It radiates heat back into the firebox, creating higher efficiencies and cleaner glass.

### 2 Refractory Baffle

The unique design assists in igniting fuel rich gases, increasing efficiency and reducing emissions.

### 3 Integral Airwash System

Preheated primary combustion air enters the firebox and sweeps across the viewing glass, keeping the glass clean and clear for less maintenance and a wide open view of the fire.

### 4 Secondary Combustion

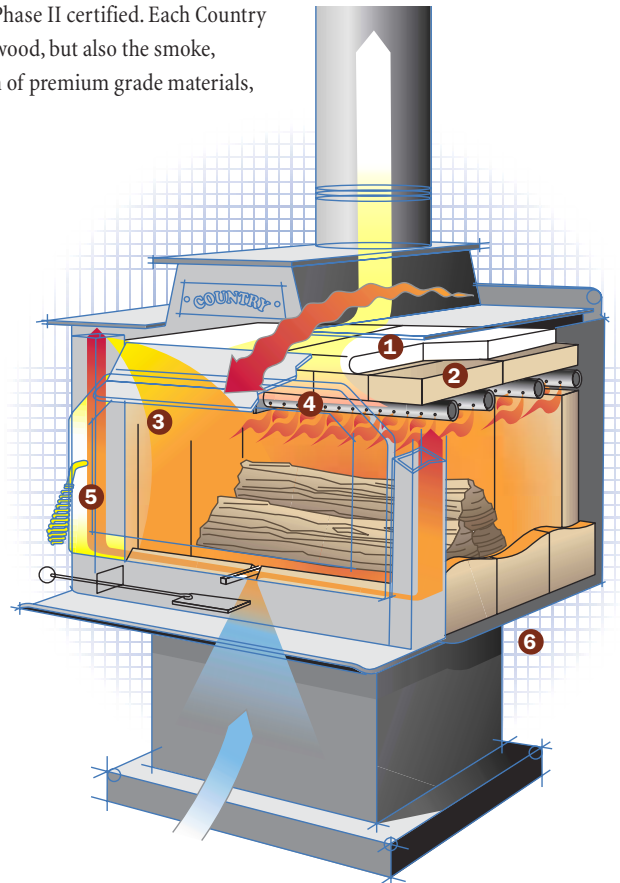
Stainless steel afterburner tubes mix oxygen with unburned gases and smoke to create a secondary burn providing clean emissions and utilizing a previously wasted fuel source. By igniting “waste gases” your Country wood stove will get more heat out of every log, and keep your fuel costs low.

### 5 Heavy Duty Door

The beauty of this feature lies in its simplicity. The machined door handle has no nuts or washers to loosen or wear and the glass is sandwiched between the two-piece cast-iron door forming a 360° seal that will last for years.

### 6 Premium Materials

The exterior of every Country wood stove is made from heavy gauge steel and all critical parts inside the firebox are made of stainless steel for long service life.



SA160 shown with gold plated Arch door and Olympic cast legs.



## STRIKERS160

**Country's Freestanding Wood Stove Series combines innovative technology and premium hand-crafted quality.**

### STRIKER S160 – Small

[700–1,400 sq.ft. heating capacity]

The classic styling of Country's Striker S160 is surpassed only by its performance. Country's smallest wood stove and one of the cleanest burning non-catalytic stoves in the world, the Striker provides a lot of heat with very low emissions. Available with your choice of Arch or Traditional door and a variety of finishes.

#### S160 SPECIFICATIONS:

LOG LENGTH	..... 18" Max./ 16" Rec.
STOVE PIPE DIAMETER	..... 6"
HEIGHT: ON LEGS	..... 27 1/2"
ON PEDESTAL	..... 31"
WIDTH	..... 23 1/2"
EPA GRAMS PER HOUR	..... 1.6
FIREBOX	..... 18"W x 14"D
OREGON DEQ EFFICIENCY	..... 70.2%
APPROXIMATE WEIGHT:	
ON LEGS	..... 316 lbs.
ON PEDESTAL	..... 310 lbs.
COMBUSTION SYSTEM	..... Non-catalytic
ESTIMATED HEATING CAPACITY**	..... 700–1,400 sq.ft.
MAX. OUTPUT/CORD WOOD**	..... 68,000 ft.BTUs/hr.
MAX. BURN TIMES**	..... 6–8 hrs.



S160 shown with black Traditional door and Cascade legs.

### PERFORMER SS210/ST210 – Medium

[1,200–2,000 sq.ft. heating capacity]

Available as both a classic T-top (SS210 with Traditional door) and more contemporary Step-top (ST210 with Arch door), the Performer is Country's most versatile wood stove. Whichever version you choose, the Performer SS/ST210 is perfect for your moderate heating needs.

**“I grew up with a Country wood stove and today I keep my family warm with a Country... Thank you!**

**— Robin W., WA**

#### ST210 SPECIFICATIONS:

LOG LENGTH	..... 20" Max./ 18" Rec.
STOVE PIPE DIAMETER	..... 6"
HEIGHT: ON LEGS	..... 30 3/8"
ON PEDESTAL	..... 33 7/8"
WIDTH	..... 25 1/4"
EPA GRAMS PER HOUR	..... 4.2
FIREBOX	..... 20"W x 18"D
OREGON DEQ EFFICIENCY	..... 67.1%
APPROXIMATE WEIGHT:	
ON LEGS	..... 442 lbs.
ON PEDESTAL	..... 436 lbs.
COMBUSTION SYSTEM	..... Non-catalytic
ESTIMATED HEATING CAPACITY**	..... 1,200–2,000 sq.ft.
MAX. OUTPUT/CORD WOOD**	..... 76,000 ft.BTUs/hr.
MAX. BURN TIMES**	..... 7–9 hrs.

\*\*Heating Capacities based on 70° 3 ft. above the floor with 8 ft. ceilings. Cubic Feet = Sq. Ft. x 8'. Heat output, heating capacities and burn times will vary depending on fuel type, chimney performance, climate conditions, burning habits, home insulation value and installation.



ST210 shown with nickel Arch door and black Olympic cast legs.

## PERFORMER SS210



SS210 shown with gold plated Traditional door and Olympic cast legs.



S260 shown with brushed nickel Traditional door and Olympic cast legs.

## LEGACY S260

## LEGACY S260 – Large

[1,600–2,500 sq.ft. heating capacity]

The Legacy S260 is ideal for heating larger areas, up to 2,500 sq. ft. The S260 will compliment any home with its Traditional door and a variety of upgrade options (available on all models), choose from black, gold, brushed gold, nickel or brushed nickel accents.

*“There's no better way to end the day than relaxing in front of my Country stove.”*  
— Jeff S., CA



S260 shown with black Traditional door and pedestal.

### S260 SPECIFICATIONS:

LOG LENGTH	22 1/2" Max. / 20" Rec.
STOVE PIPE DIAMETER	6" or 8"
HEIGHT - LEGS	33"
HEIGHT - PEDESTAL	36 1/2"
WIDTH	28"
EPA GRAMS PER HOUR	4.1
FIRE-BOX	22 1/2"W x 17 1/2"D
OREGON DEQ EFFICIENCY	68.2%
APPROXIMATE WEIGHT:	
ON LEGS	446 lbs.
ON PEDESTAL	440 lbs.
COMBUSTION SYSTEM	Non-catalytic
ESTIMATED HEATING CAPACITY**	1,600–2,500 sq.ft.
MAX. OUTPUT/CORD WOOD**	79,000 ft.BTUs/hr.
MAX. BURN TIMES**	7–11 hrs.

# ST310

## CANYON ST310 – Extra Large

[2,000–3,500 sq.ft. heating capacity]

The ST310 is a serious performer, rated to heat up to 3,500 sq. ft. and provide burn times of 7–12 hrs. For extra comfort and heat circulation, add on the optional 700 CFM blower (available on all freestanding woodburning models).

Available with a Traditional door and a variety of finishes.

*“We are impressed with how easy it is to operate. We like the ability to cook off the top if we have to.”*

— Bill G., IA



ST310 shown with brushed gold Traditional door and Olympic cast legs.

### ST310 SPECIFICATIONS:

LOG LENGTH	22 1/2" Max. / 20" Rec.
STOVE PIPE DIAMETER	6" or 8"
HEIGHT - LEGS	38 1/2"
HEIGHT - PEDESTAL	41 1/2"
WIDTH	28 1/2"
EPA GRAMS PER HOUR	3.2
FIRE-BOX	22 1/2"W x 19 1/2"D
OREGON DEQ EFFICIENCY	68.6%
APPROXIMATE WEIGHT:	
ON LEGS	525 lbs.
ON PEDESTAL	519 lbs.
COMBUSTION SYSTEM	Non-catalytic
ESTIMATED HEATING CAPACITY**	2,000–3,500 sq.ft.
MAX. OUTPUT/CORD WOOD**	84,500 ft.BTUs/hr.
MAX. BURN TIMES**	7–12 hrs.

\*\*Heating Capacities based on 70° 3 ft. above the floor with 8 ft. ceilings. Cubic Feet = Sq. Ft. x 8'. Heat output, heating capacities and burn times will vary depending on fuel type, chimney performance, climate conditions, burning habits, home insulation value and installation.



## CANYON ST310

ST310 shown with nickel Traditional door and black Olympic cast legs.



## HOW TO BUILD YOUR CUSTOM COUNTRY WOOD STOVE...

Follow these 5 simple steps to customize the look and performance of your Country wood stove.

### 1 Choose the wood stove that matches your heating needs

Heat output and heating capacities will vary depending on installation and your individual home – ask your dealer for selection assistance.

#### Stoves:

- S160 (Choose – Arch or Traditional Door)
- SS210 (Traditional Door only)
- ST210 (Arch Door only)
- S260 (Traditional Door only)
- ST310 (Traditional Door only)

### 2 Choose door style and finish

#### Door Style

- Traditional Door (available on all models except ST210)
- Arch Door (available on S160 and ST210 only)

#### Finish

- Black, 24-karat gold plating, brushed gold plating, nickel plating, or brushed nickel plating

### 3 Choose glass

- Plain
- Etched – Cattails, Floral, Sails, or Evergreen

### 4 Choose the base

#### Legs:

- Cascade steel black
- Olympic cast – choose black, 24-karat gold plating, nickel plating, brushed gold plating, or brushed nickel plating

#### Pedestal:

- Standard or ash drawer

### 5 Add a variable speed 700 CFM blower for more even heat?

Country's optional variable speed blower is the largest available on any stove and far quieter when compared to any other at their highest setting. Available for all Country freestanding wood stoves.

#### DOOR OPTIONS



Traditional Door

Arch Door

#### GLASS OPTIONS



Cattails

Floral

Sails

Evergreen

#### LEGOPTIONS

Country Stoves provides a wide variety of options including "tarnish-free" 24K gold plating, allowing you to add distinction and a personal touch to your handcrafted Country wood stove.



Cascade

Olympic Cast – Black, Gold, Brushed Gold, Nickel, Brushed Nickel

#### PEDESTAL OPTIONS



Standard Pedestal

Ash Drawer Pedestal – Convenient ash drawer with cover and lifting bale make ash removal and disposal quick and easy.

#### BLOWER OPTION



From Country's largest freestanding stove to our smallest, this blower utilizes the high heat produced by the stove – circulating it throughout your home.

#### CUSTOM PAINT

Your Country Stove may be painted in a variety of colors with high-temperature stove paint to fit any decor. Ask your dealer for details.



