



Click to Enlarge

Harman TLC 2000 Coal and Wood Stove

A Top-Load Coal and Wood Stove, Fireplace, & Indoor Grill - All In One!

The Harman TLC 2000 Coal Stove is a coal stove which can be converted to a fireplace stove and burn wood, plus serve as a cooking grill. The Harman TLC 2000 is a convenient, dependable, and attractive new member of the Harman family of stoves. In addition, the TLC 2000 requires no electricity, guaranteeing its performance through a power loss. And with the industry's largest glass door for easy viewing, and air wash glass-cleaning system, and an optional air grill, the TLC 2000 is the only stove you'll ever need.



Grill Option

Turn your Harman TLC2000 into a cooking grill by adding our optional grill insert.

CHOOSE:



Harman Product Finder
Find Products

SPECIFICATIONS

BROCHURE

WARRANTY

OPTIONS

MY HARMAN

Enter ZIP code

Enter your zip code to find Harman dealers near you.

Find Dealer

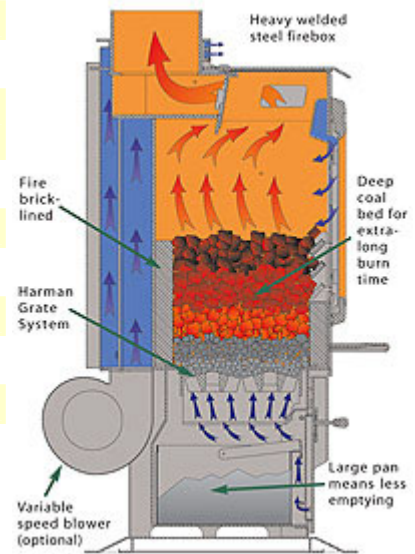
Top-loading to make it as easy as possible for you to add coal to your fire, the TLC 2000 is the ultimate in convenience. The TLC's extra-large ash door also makes it simple to remove ashes and an oversize ash pan allows longer intervals between ash removals. Coal can burn up to 60 hours with the TLC, and the Harman Grate System enables the TLC to provide its users with optimal airflow and outstanding burn characteristics.

Nothing beats the ambiance and warmth of a real log fire, and the TLC 2000 can be easily converted to a wood-burning fireplace. Simply open the TLC's glass door, put its optional fireplace screen in place, and you're ready to enjoy the soothing crackle of burning wood.

A worry-free stove with an exciting array of uses and benefits, Harman's TLC 2000 is truly a stove for the next millennium. Whether you want to heat your home with coal, enjoy the warmth of a peaceful log fire, or create a delicious char-grilled meal, the unbelievably versatile TLC 2000 is the only stove you'll ever need.

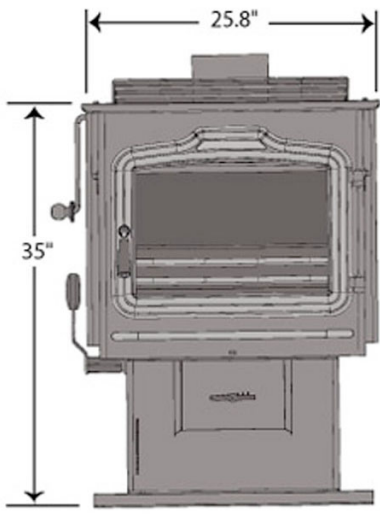
Harman TLC 2000 Coal and Wood Stove Specifications

Fuel	Wood, Pea, Nut & Stove-Size Coal
BTU Range	72,000
Heating Capacity	1,900 sq ft
Blower Size	135 cfm
Flue Size	6 inches
Weight	375 lbs
Depth	18.4 inches
Height	35 inches
Width	25.8 inches
Testing	Tested by Intertek Testing Services/Warnock Hersey - Tested to UL 1482, UL 737, ULC-S627 Canada

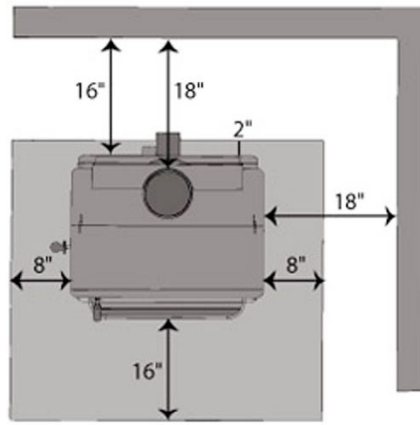


Harman TLC 2000 Coal and Wood Stove Clearances and Dimensions

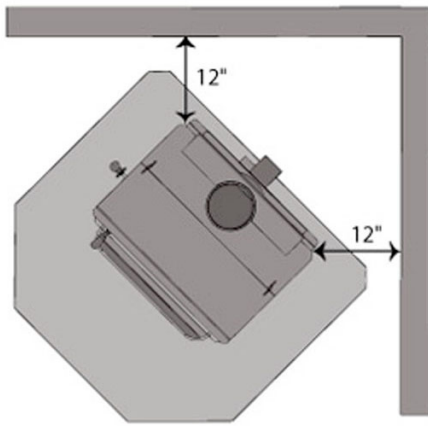
Rear	16 inches
Side	18 inches
Front	16 inches
Pipe to Wall	18 inches



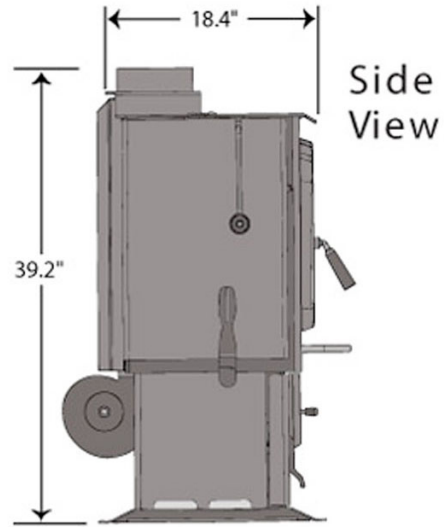
Front View



Top View



Top View



Side View