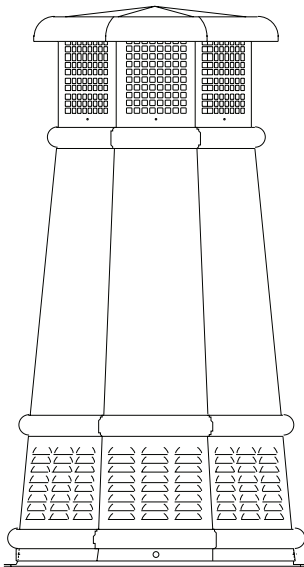


European Copper Termination Caps

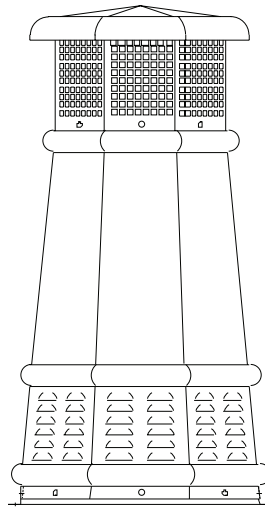
**Models: CT3-King, CT3-Queen, CT3-Knight, CT3-Bishop,
CT3-Pawn, CT11-King, CT11-Queen, CT11-Knight,
CT11-Bishop, CT11-Pawn**



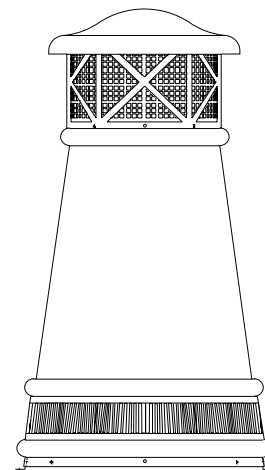
These chimney termination caps have been tested for use with specific Hearth & Home Technologies Inc. (HHT) fireplaces and is a fireplace part. Refer to the fireplace installation instructions for the correct accessories to be used. Check with your local building code agency before you begin installation to ensure compliance with local codes, including the need for permits and follow-up inspections. If you encounter any problems regarding code approvals, or if you need clarification of any of the instructions contained here, contact your local dealer or the Technical Services Dept., Hearth & Home Technologies Inc., 1-800-927-6841 or 1-888-427-3973.



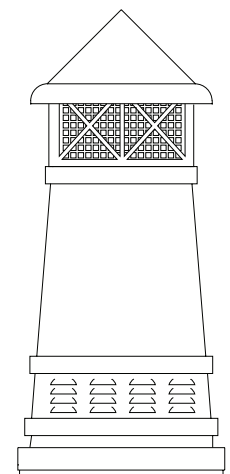
King



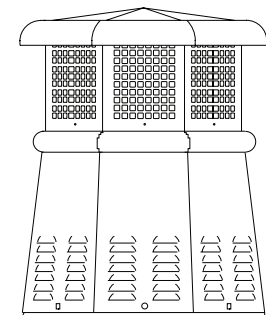
Queen



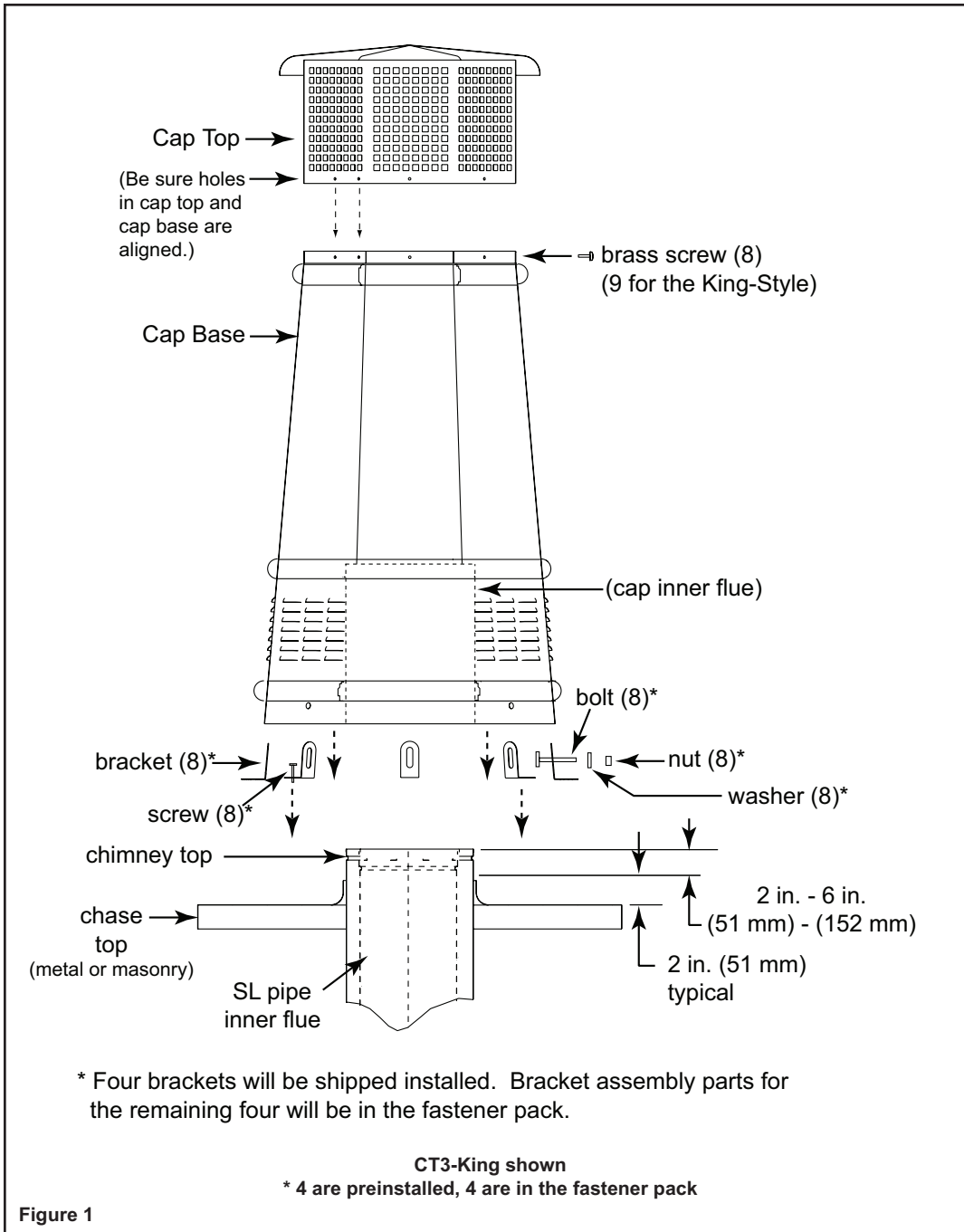
Bishop



Knight






Pawn




Contents		Qty
Termination Cap - Top		1
Termination Cap - Base		1
Fastener Pack		1
Brass Screws	(1 extra included)	5
Brass Screws (King only)	(1 extra included)	10
Brackets	(1 extra included)	5
Carriage Bolts	(1 extra included)	5
Lock Washers	(1 extra included)	5
Nuts	(1 extra included)	5
Screws	(1 extra included)	9

Note: This cap is designed for use with SL Series pipe.

	CAUTION	
<p>Sharp Edges</p> <ul style="list-style-type: none"> Wear protective gloves and safety glasses during installation. 		

	WARNING
<p>Fire Risk</p> <p>Inner flue of cap must be centered inside inner flue of SL series pipe.</p>	

	WARNING
<p>Fire Risk</p> <ul style="list-style-type: none"> Intended for use with a metal (or masonry) chase top. <p>Use of combustible materials will cause a fire hazard.</p>	

Note: The chase top must have structural support under it to provide anchor points for the cap.

A. Termination Cap Assembly and Installation (see Figure 1)

- Attach four brackets from fastener pack to cap base with carriage bolts, lock washers and nuts. Do not over tighten to allow for leveling at chase top. Insert bolts from inside (nuts and washers will be on the outside).

Note: Brackets slide up inside cap through slots along bottom edge of cap.

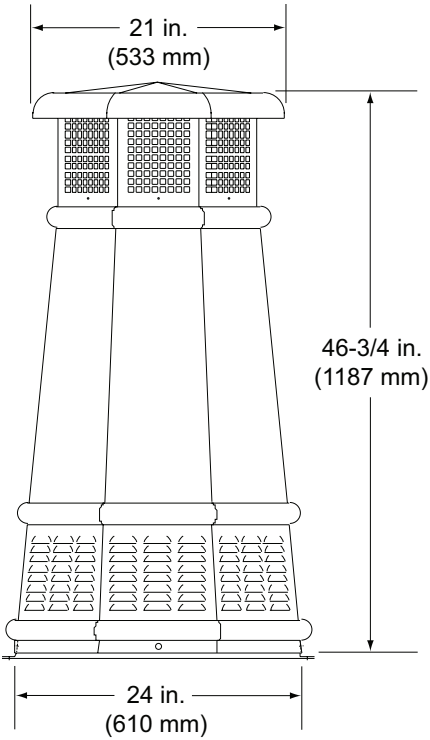
- Set cap base onto metal (or masonry) chase top so the cap inner flue slides into the inner flue of the SL pipe.
- Set, plumb and level cap using the brackets attached to the cap base.
- Tighten nuts to secure brackets in place.
- Mark location of holes on chase top using the holes in brackets as a template.
- Remove cap and drill holes through marks on chase top.
- Use proper anchors to mount cap to chase top (masonry or sheet metal over wood base).
- Set cap on chase top and secure in place with screws provided.
- Caulk all screws (or nails) on the chase top. Periodic re-caulking may be needed to prevent leaks from developing.
- Attach cap top to cap base using the brass screws provided. Align pilot holes in cap top with corresponding holes in cap base. See Figure 1 for proper alignment.

B. Chimney Cleaning

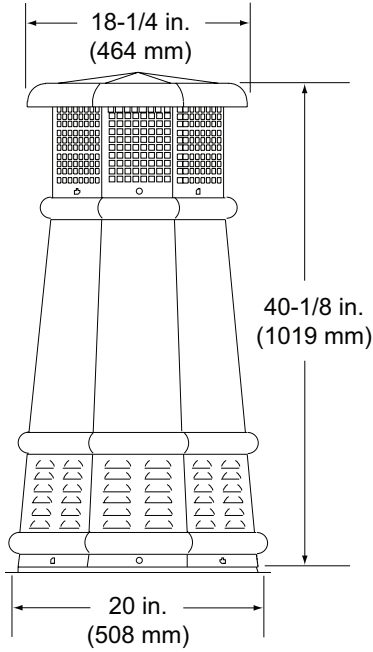
If you do detect a buildup of creosote, contact a qualified chimney sweep or clean it yourself. To do this, perform the following steps:

- Open the damper.
- Hang a damp sheet across the fireplace opening(s) to stop dirt and soot from entering the room.
- Remove the cap top.
- Clean with a stiff nylon brush attached to a pole OR tie a small burlap bag filled with straw and several small stones or sand. Work up and down the flue until the flue is clean.
- Replace the cap top.

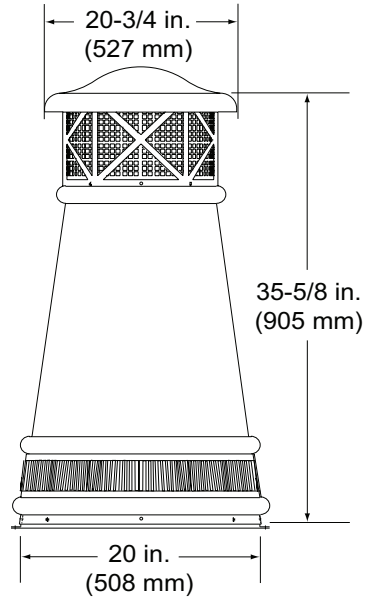
Note: An arrow (➡) found in the text signifies change in content.



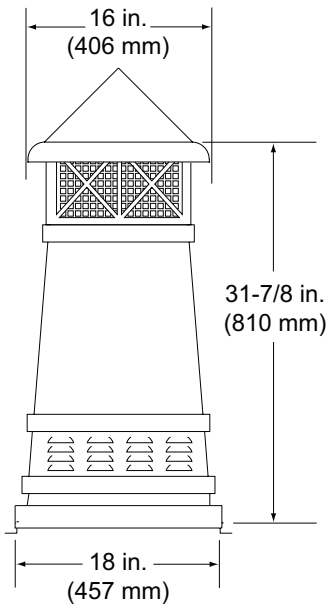
CT3 and CT11-King



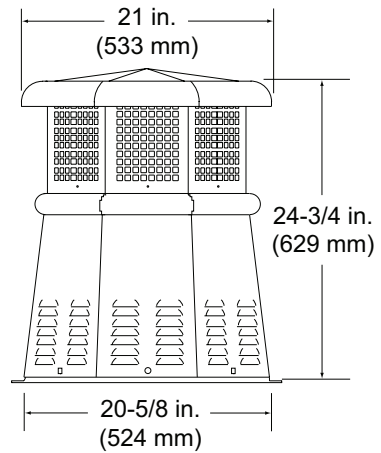
CT3 and CT11-Queen



CT3 and CT11-Bishop



CT3 and CT11-Knight



CT3 and CT11-Pawn