

# Owner's Manual

## Residential Factory Built Fireplace

---

*Operation • Maintenance • Installation*

---

### *The* **TOPAZ**



Keep these instructions for future use.

**RSF**  
WOODBURNING FIREPLACES



Dear Customer,

The TOPAZ combines technology and elegance to give you a beautiful view of the fire without compromising on heating efficiency or environmental quality.

We have designed your new TOPAZ to be easy to install, operate and maintain. It is in your best interest to become familiar with its operation. Study your manual to be sure that it is installed correctly, then follow the guidelines for operation and maintenance.

We at RSF Woodburning Fireplaces congratulate you on your choice of the TOPAZ, and are confident that you have purchased a fireplace that is, *simply the best*.

Sincerely,

The RSF Woodburning Fireplace Team  
June 2004

---

## TABLE OF CONTENTS

SAFETY FIRST	9	Ceiling Clearance
3 Do's and Don'ts	9	Outside Air Duct
3 Creosote Formation and Need for Removal	10	Chimney
GENERAL SPECIFICATIONS	10	Chimney Installation
3 Combustion Control System	11	Offset Chimney
3 Ash Pan	11	Chase Enclosure
4 TOPAZ Options	12	Framing
OPERATION	12	Hearth Extension
4 Air Controls	12	Beneath Hearth Extension
5 Lighting	13	Mantel
5 First Fire	13	Door Installation
5 Refueling	14	Extrusion Installation
5 Door Hideaway Mechanism	14	Louver Installation
MAINTENANCE	14	Refractory Brick Installation
6 General Cleaning	FIREPLACE OPTIONS	
6 Paint	16	Fireplace Options
6 Glass Cleaning	REPLACEMENT PARTS	
6 Chimney Cleaning	17	Fireplace
7 Disposal of Ashes	18	Assemblies
7 Door Adjustment	LABEL	
INSTALLATION	19	Label
8 General Installation Illustration	WARRANTY	
9 Location	20	Warranty

## SAFETY FIRST

### DO'S AND DON'TS

If this fireplace is not properly installed, a house fire could result. For your safety, follow the installation directions. Contact your local authority having jurisdiction (such as municipal building department, fire department, fire prevention bureau, etc) regarding restrictions and installations requirements, and the need to obtain a permit.

**NOTE:** We strongly recommend installers to be certified by NFI in the US or WETT in Canada.

To ANYONE using this fireplace:

These **DO's** and **DO NOTs** are for your safety.

1. **DO** read this instruction manual before lighting your first fire.
2. **DO** burn seasoned wood fuel or densified fuel logs.
3. To avoid glass breakage, **DO NOT** slam the fireplace door.
4. **DO NOT** use gasoline-type lantern fuel, kerosene, charcoal lighter fluid or similar liquids to start or freshen up a fire in this fireplace. Keep all such liquids well away from the fireplace.
5. **DO NOT** overfire the fireplace. If you are unable to slow down the burning rate of the fire, you are probably overfiring the fireplace.
6. **DO** operate the fireplace with doors either fully closed or fully open with the firescreen. If the door is left partly open, gas and flame can be drawn out of the fireplace opening, creating risks of both fire and smoke damage.
7. If you use the fireplace with the door wide open, install a firescreen (FST) to prevent logs and sparks from burning your floor. Under no circumstances should the fireplace be used without either the door closed or the firescreen installed.
8. **DO** keep all combustible materials (firewood, furniture, etc.) at least 4 feet away from the front of the fireplace.
9. **DO NOT** use a fireplace grate or other products not specified for use with this fireplace.
10. **Always verify that your ash pan and ash pan plug are in place before igniting a fire.**

## CREOSOTE: FORMATION AND REMOVAL

When wood is burned slowly, it produces tar and other organic vapors which combine with the expelled moisture from the wood to form creosote. The creosote vapors can condense in the relatively cool chimney of a slow burning fire. When ignited, this creosote makes an extremely hot fire. The chimney should be inspected periodically during the heating season to see if a creosote build-up has occurred. If a significant layer of creosote has accumulated (1/4" or more), it should be removed to reduce the risk of chimney fire.

### WARNING: BURN DRY WOOD ONLY.

**DO NOT BURN:**

- DRIFTWOOD
- TREATED WOOD
- COAL
- GARBAGE
- PLASTIC

**Do not use construction scraps (e.g. 2x4 or plywood scraps) as your only supply of fuel as you can overheat and seriously damage the fireplace.** Do not use more than 1 densified fuel logs (e.g. Presto Logs) at a time and only with a firescreen on the fireplace. Use only firelogs that have been evaluated for fireplace use. In Canada, they should meet the requirements of ULC/ORD-C127-M1990. Refer to the firelog warnings and caution markings prior to use.

## GENERAL SPECIFICATIONS & USE

The TOPAZ fireplace is environmentally friendly as well as efficient. It is approved by the United States Environmental Agency (EPA) at an emission rate of 4.0 grams per hour.

### THE COMBUSTION CONTROL SYSTEM

Since the door is sealed, all combustion air must come through the draft control. For the first few days, we recommend that you operate the fireplace with the primary air control fully open (handle moved to the far right). Just control the fire as you would any normal fireplace using one or two logs at a time for a smaller fire, or more logs for more heat. Once you become familiar with operating the fireplace with the control open, you can start experimenting with lower settings.

### THE ASH PAN

The TOPAZ is equipped with an ash pan to easily remove ashes from the firebox. To clean the firebox, remove the plug from the firebox with a poker and sweep the ashes through the hole into the ash pan (make sure that the ash pan is in proper position first).

When the ash pan is full, open the bottom louver of the fireplace. The louver can easily be opened by pulling the top of the louver. It is held in place by two magnets. Remove the ash pan and dispose of the ashes properly. Replace the ash pan and the louver. Put the plug back in the hole, making sure it is properly placed before starting a fire. Do not remove the ashes from the firebox while they are still hot. **The ash pan is not built to resist hot ashes or embers.**

We recommend that you leave enough ashes in the fireplace to cover the plug. This will help further seal the ash pan plug and enhance the fireplace performance.

Under no circumstances should the fireplace be operated without the ash pan plug and the ash pan in place.

**TOPAZ OPTIONS**

The size and shape of your home and how you intend to use your fireplace will determine the options you require. For a basic high-efficiency fireplace you won't need any options or electricity.

For increased air circulation and marginally more heat output you can add the internal blower (part FDHB8).

**NOTE:** It will be difficult to install the internal blower if wiring is not run during framing. If there is any chance that this option will be installed in the future then suitable wiring should be run to the fireplace and to a switch box at a convenient place on the wall for mounting the blower control.

If you have rooms directly above or adjacent to the room with the fireplace that you would like to heat, you may want to consider the gravity vent option (part VCT). The gravity vent distributes hot air to these rooms and requires no blower to assist its operation.

This fireplace has been specially designed to combine high efficiency with the elegance of a woodburning fire. Most often you will take advantage of the high efficiency and the control possible with your new TOPAZ woodburning fireplace. However for people who would like to enjoy the sight and sound of an open fireplace, or simply have less heat output in warmer weather there is another option available with the TOPAZ. This option is the TOPAZ firescreen (part FST).

Since it is possible to raise the unit above the floor (please refer to the installation instructions for details), you may decide to install your Topaz fireplace without building an elevated (at the level of the base of the unit) hearth extension. We then recommend that you consider adding a decorative hearth extension (part FDDHE) that will serve as a small hearth extension and also close the bottom of the unit. It will provide the finishing touch to a raised installation. Using the decorative hearth extension does not eliminate the need for a

regular hearth extension on the floor in front of the fireplace (see the installation instructions for details).

**Detailed installation instructions are included in the box with each option. These can also be obtained from our Internet Web Site "www.icc-rsf.com".**

**WARNING: THIS FIREPLACE HAS NOT BEEN TESTED WITH AN UNVENTED GAS LOG SET. TO REDUCE RISK OF FIRE OR INJURY, DO NOT INSTALL AN UNVENTED GAS LOG SET INTO THIS FIREPLACE.**

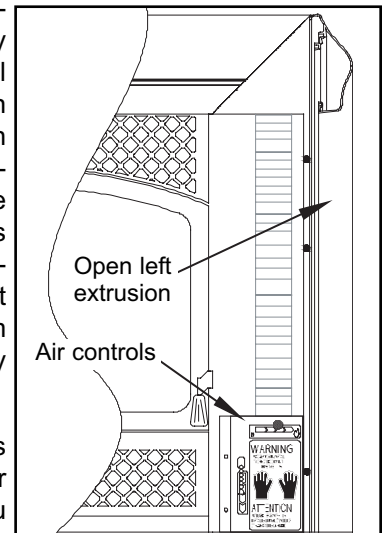
**OPERATION**

**AIR CONTROLS**

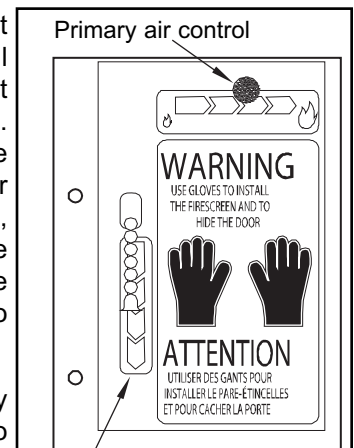
The TOPAZ is designed to use outside air for combustion. The control for the outside air is located behind the right extrusion (see Figures 1 and 2). Pull the chain as much as possible and lock it in place by wedging it through the slot to allow fresh air into the base of the fireplace. Because outside air is generally colder and denser it will help to start the fire. In some cases this fresh air will also help compensate for negative pressure problems within the house; however it will not prevent the fireplace from smoking in a severely depressurized house.

We recommend always using outside air for combustion but you may choose to use room air for combustion instead. To do so, lift the chain out of its slot and the return spring will close the door. Do not totally let go of the chain. If you want to change the setting for the outside air while the fireplace is hot, make sure to use the extrusion handle (at the bottom of the extrusion) to open the extrusion.

The handle for the primary air (combustion air) is also behind the right extrusion (see Figures 1 & 2).



**Figure 1: Air controls location**



**Figure 2: Control Panel**

When the handle is to the far right, the control is fully open and the fire will burn more quickly. When the handle is to the far left, it is fully closed and the fire will burn more slowly. Any setting in between will allow you to fine tune the fire and output of the unit.

## LIGHTING

Before starting a fire, make sure to completely open the primary air control. It is located behind the right extrusion and it should be positioned to the far right. Light a fire in the fireplace, starting with paper and kindling only. Then add three or four pieces of wood, about 3" diameter. After the fire is established, close the door. Never use any flammable liquids. Once a coal bed is established, add standard cord wood. Leave the draft control open until the fire is well lit, then adjust it to the level you desire.

**WARNING: DO NOT USE A GRATE OR ELEVATE THE FIRE.**

## THE FIRST FIRE

You will experience a slow start-up during the first few fires. The refractory bricks contain moisture from manufacturing and require a few hot fires to evaporate the moisture. While there is still moisture in the bricks, the bricks will be black with smoke deposits. When the moisture has dissipated, the bricks will turn white. You will experience a slight odor during the first few fires. This odor comes from curing paint and oil burning off the metal.

## REFUELING

Fuel wood can be of any species but the fireplace will not burn cleanly or efficiently unless the wood is well seasoned. Keep your firewood under cover. Fourteen to sixteen inch lengths work the best.

**The door should be opened slowly to keep smoke from spilling into your room. If you have a problem with smoke spillage check to see that all kitchen and bathroom fans have been shut off. They can cause negative pressure in the house which pulls smoke out of the fireplace.**

**NOTE:** The internal blower should be shut off during refuelling to prevent smoke from spilling into your room.

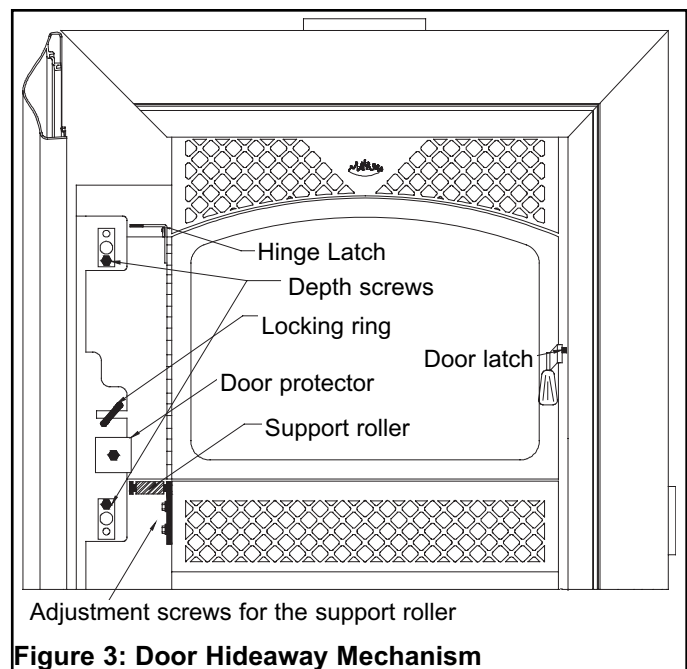
## DOOR HIDEAWAY MECHANISM

The Topaz fireplace is equipped with a door hideaway mechanism which enables you to hide the door behind the left extrusion when you need to service the firebox or when you wish to put the firescreen on. The mechanism is fairly easy to operate once the basics are

understood. Please refer to Figure 3 while reading the following instructions.

Start by opening the left extrusion, using the handle at the bottom of the extrusion. As shown in Figure 3, there is a latch at the top that locks the door hinge against the left side of the firebox to position the door for regular door operation. Unlocking this latch enables the door to rotate around a special hinge to move the door away from the left side of the firebox. To lock the latch, make sure the door hinge is flat against the left side of the firebox. We recommend that the door be closed first and then the latch locked on the hinge. The latch operation requires some force but if excessive force seems necessary, then some adjustment is required.

There is a locking ring about halfway up the door (see Figure 3). It locks the door support in place during normal door operation. To unlock it, simply turn it counter-clockwise until horizontal. To lock it, simply pull the door mechanism completely out and turn the lock ring clockwise until vertical. If the locking ring is too tight or too loose to lock, please refer to the Door Adjustment paragraph in the Maintenance section of these instructions.



**Figure 3: Door Hideaway Mechanism**

In summary:

**To slide the door in**, open the left extrusion using the handle at the bottom of the extrusion and unlock the locking ring. Then open the door and unlock the hinge latch. The mechanism is now free to roll inside, simply push the door toward the back of the fireplace. Move the door handle all the way up, push the door as far left as it will go and close the extrusion.

To slide the door out, open the left extrusion using the handle at the bottom of the extrusion and pull the door all the way out using the wood handle. Lock the locking ring and then close the door. Lock the latch on the door hinge and close the extrusion.

We recommend that you slide the door in or out when the fireplace is cold. If you operate the hide-away mechanism while the fireplace is hot, make sure to wear gloves and to be very careful to minimize the risk of injuries or burns.

## MAINTENANCE

### GENERAL CLEANING

The high-heat paint can be cleaned with a soft damp cloth. Use a mild detergent and water. Do not use abrasive cleaners.

### PAINT

You can touch up the face of the TOPAZ with *Stove Bright* Metallic Black high temperature paint which is available at most fireplaces dealers. Follow the directions outlined on the spray can. DO NOT attempt to paint the fireplace while it is still warm. Keep the spray can away from any source of heat or open flame. Ensure that there is adequate ventilation in the room from the time you start painting until the paint is dry. *Stove Bright* is available in a wide range of colors if you want to change the color of your TOPAZ.

We recommend that you take the time to protect or remove any item that you do not want to paint such as: the extrusions trim strips, the door glass, the plated door, the fireplace surroundings, etc. The glass can be removed from the door but you will have to replace the gasket.

### GLASS CLEANING

In a controlled combustion firebox temperatures are not always high enough to keep the glass perfectly clean. A good hot fire once a day usually cleans off most of the deposits that have accumulated. Remember: the drier the wood, the cleaner the glass. A word of caution: although heat will not break the glass, impact can. Be careful not to hit the glass.

**WARNING: NEVER CLEAN THE GLASS WITH AN ABRASIVE CLEANER. USE ONLY A CLEANER RECOMMENDED BY YOUR DEALER. NEVER CLEAN THE GLASS WHILE IT IS HOT, A SERIOUS BURN CAN RESULT. THERE ARE A NUMBER OF EXCELLENT WOOD STOVE GLASS CLEANERS AVAILABLE WHICH ARE FAR SUPERIOR TO REGULAR GLASS AND OVEN CLEANERS FOR WOOD STOVE APPLICATIONS.**

### CHIMNEY CLEANING

Check the chimney for creosote build-up every week or so until experience shows you how often you need to clean it. A build-up of 1/4" or more should be cleaned before more creosote accumulates. Use a 7" round brush. The baffle in the firebox must be removed to gain access to the flue from below. Follow the direc-

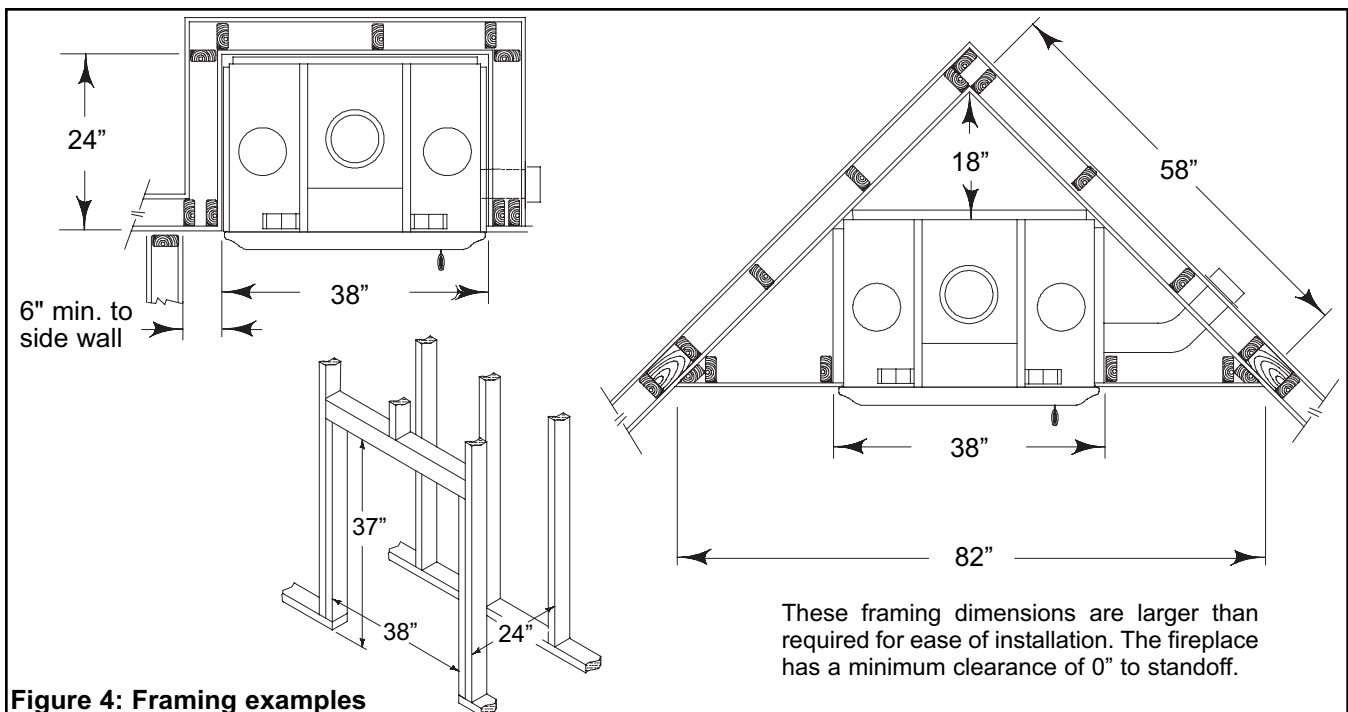


Figure 4: Framing examples

tions in the Refractory Brick Installation section to remove and replace the baffle. If you prefer, you can simply lift the baffle and move it forward and let the debris fall in the firebox. Do not forget to push the baffle back in its place after cleaning the chimney. This second option is much easier than removing the baffle.

### DISPOSAL OF ASHES

Remove the ashes before they become too deep, i.e., before you have a spillage problem when you open the door.

The ashes should be placed in a metal container with a tight fitting lid. The closed container of ashes should be placed on a non-combustible floor or on the ground, well away from all combustible materials, pending final disposal. If the ashes are disposed of by burial, or otherwise locally dispersed, they should be retained in the closed container until all cinders have thoroughly cooled.

### DOOR ADJUSTMENT

The door hideway mechanism can be adjusted for proper sealing of the door. The latch pin can also be adjusted to provide a positive seal without too much effort at closing.

To check for a proper door seal insert a thin sheet of paper between the door and the front of the fireplace and latch the door. Pull gently but firmly on the sheet of paper. If the paper either tears or is hard to retrieve the adjustment is correct. Repeat this procedure along all sides of the door.

The most important factor for controlling the burning rate of the TOPAZ is a good seal on the door gasket. If the door gasket is worn or damaged to the point where the seal is not adequate as described above then remove and replace the gasket. Replacement kits are available from your RSF dealer.

To insure a proper seal you need to adjust the tightness of the door against the front of the fireplace as follows:

1. With the door properly closed, unlock the locking ring by turning it counter-clockwise until it is horizontal (see Figure 3).
2. Loosen the locking nut of the 2 depth screws.
3. Tighten each of the depth screws until the door is tight against the firebox.
4. Tighten the locking nut of each of the depth screw.

5. Verify the seal with the sheet of paper as described above.
6. If required, the right side of the door can be tightened/loosened by adjusting the eccentric screw that latches the door: just loosen the nut on the inside of the firebox, turn the eccentric screw on the outside of the firebox so as to tighten/loosen the door latch and retighten the nut.
7. Once the door is adjusted for a proper seal, turn the locking ring clockwise until you can feel a moderate amount of tension when it is in the vertical position. There is no need to over-tighten it.
8. Now hide and unhide the door while looking carefully at the door. If you find that the door binds up excessively when you are sliding the door in and out, you need to adjust the height of the door support roller. It is located beside the bottom depth screw as shown in Figure 3.

**NOTE:** At least once a year, lubricate the upper sliding rod with a small quantity of the high temperature grease provided with the fireplace (regular grease will not withstand the heat in the fireplace). Slide the door in and out a few times to distribute the grease along the rod.

**NOTE:** An improperly adjusted door seal can have a significant effect on the performance and durability of the fireplace. A poorly adjusted door can result in reduced efficiency, excessive wood consumption and pre-mature fireplace failure.

## INSTALLATION

Check with your local authority having jurisdiction (such as municipal building department, fire department, fire prevention bureau, etc) regarding restrictions and installations requirements, and the need to obtain a permit.

**WARNING: WE RECOMMEND THAT YOU REMOVE THE EXTRUSION ASSEMBLY BEFORE BEGINNING WITH THE FIREPLACE INSTALLATION (REFER TO THE EXTRUSION INSTALLATION PARAGRAPH IN THE INSTALLATION SECTION OF THE CURRENT INSTRUCTIONS). PLACE THE EXTRUSION ASSEMBLY IN THE PLASTIC BAG PROVIDED AND STORE IT IN A SAFE AREA TO REDUCE THE POSSIBILITY OF SCRATCHES, VANDALISM, OR DAMAGE TO THE FINISH CAUSED BY DRYWALL DUST, MURIATIC ACID, PLASTER, CEMENT, PAINT OR ANY OTHER HARMFUL SPRAY OR LIQUID.**

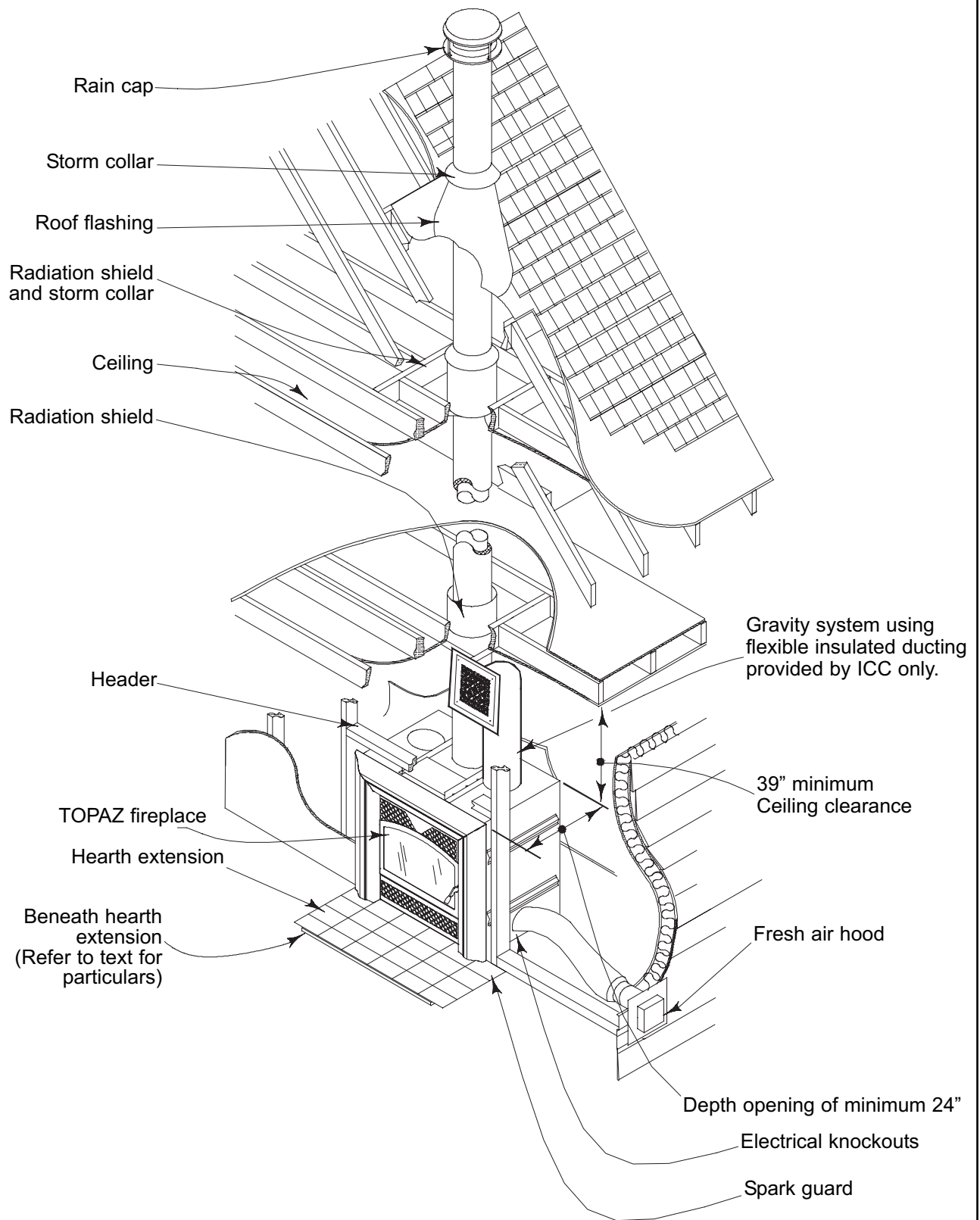


Figure 5: General Installation

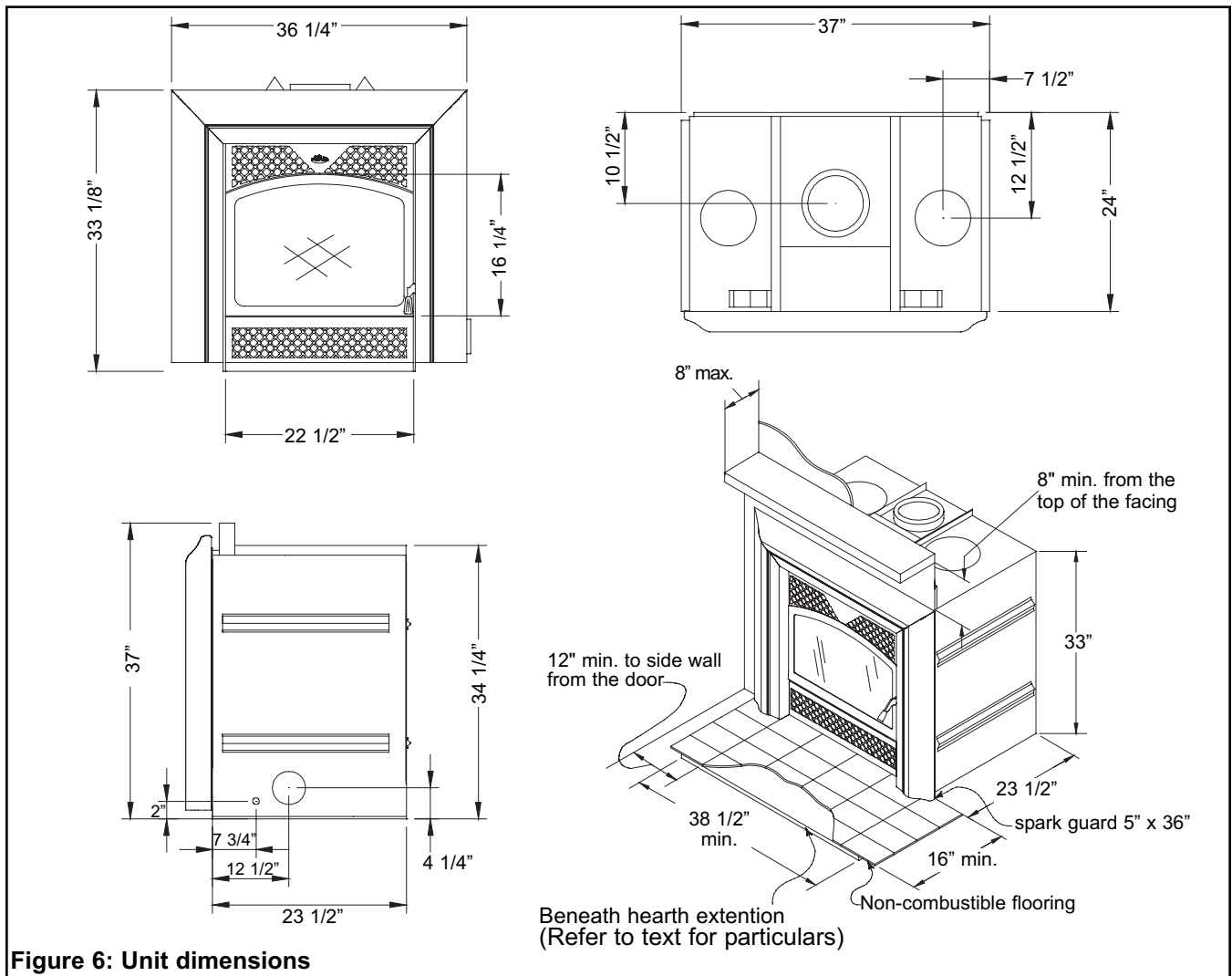


Figure 6: Unit dimensions

**LOCATION**

Your TOPAZ fireplace can be installed in many different ways (see Figure 4) without any special floor reinforcement. We recommend that you take the time to plan your entire installation (fireplace, chimney, and options) before beginning the actual installation (refer to Figure 5).

Dimensions of the fireplace along with clearances are shown in Figure 6.

**WARNING: IF THIS FIREPLACE IS NOT PROPERLY INSTALLED, A HOUSE FIRE CAN RESULT. FOR YOUR SAFETY, FOLLOW THE INSTALLATION INSTRUCTIONS AND CLEARANCES. DO NOT PACK REQUIRED AIR SPACES WITH INSULATION OR OTHER MATERIALS.**

1. Note the location of rafters and floor joists. If possible choose a location that does not require cutting them.
2. Do not build shelves or cupboards in the area above the fireplace. This space must be kept empty.

3. If at all possible, run the chimney inside of the house. If it must be run up outside, it should be enclosed in an insulated enclosure (see Installation: Chase Enclosure). Remember, a cold chimney causes poor draft.

**CEILING CLEARANCE**

The ceiling clearance is the distance from the top of the fireplace to the ceiling.

Under no circumstances should the distance between the ceiling and the top of the TOPAZ be less than 39" (see Figure 5).

**OUTSIDE AIR DUCT**

After the fireplace is correctly positioned, connect the outside air inlet to the outside (see Figure 7).

Use an insulated flexible duct rated at over 200° F. It is recommended that the duct does not exceed 12 ft. vertical rise above the base of the unit.

The air inlet should never be less than 5 ft. below the top of the chimney flue and must never terminate in attic spaces.

A 4" diameter duct can be used if the total run of the ducting is less than 25 feet. For longer runs, use 5" diameter duct. A 4"-to-5" increaser is provided with the fireplace.

1. Find a convenient location for the combustion air duct and fresh air hood. The fresh air hood can be above or below floor level.

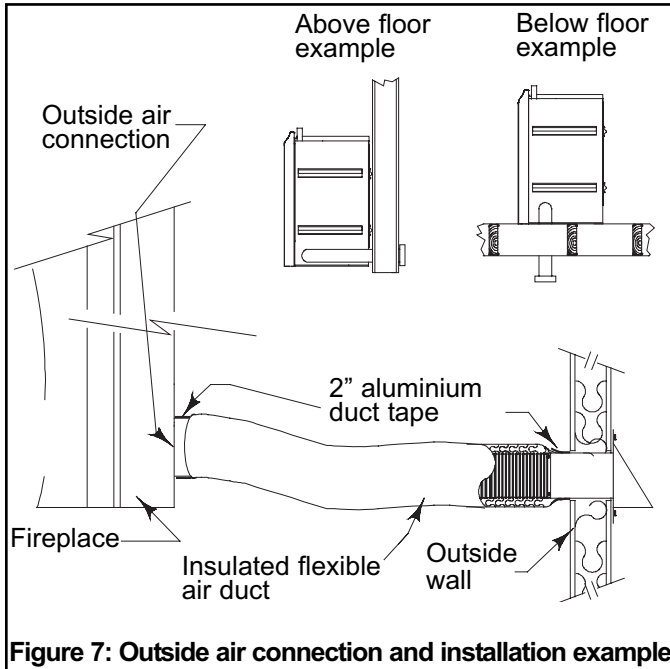


Figure 7: Outside air connection and installation example

2. Make a 4 1/4" (5 1/4" if using a 5" diameter duct) hole in the outside wall of the house. Push the hood in from the outside. Seal the joint between the hood and the outside wall with an appropriate sealant.
3. Place the insulated flexible duct over the round sleeve on the outside air hood. At both ends, carefully pull back the insulation and plastic cover, exposing the flexible duct. Then at each end, attach the duct with metal screws to the inlet and tube. Carefully push the insulation and cover back over the duct. Tape the plastic cover in place with 2" aluminium duct tape.

**CAUTION: WHEN RUNNING THE DUCT AROUND CORNERS, BE SURE TO PREVENT CRIMPING THE DUCT THAT WOULD RESTRICT THE COMBUSTION AIRFLOW.**

**CHIMNEY**

This fireplace is certified for use with 7" ICC Model EXCEL chimney only. The chimney system height from the top of the fireplace must be a minimum of 12 ft.

We recommend that the minimum height be increased by approximately 1 ft. for every 2000 ft. elevation above sea

level. Every 30° or 45° elbow also increases the minimum height by 1 ft. For example, if you are living 6000 ft. above sea level, your chimney should terminate at least 15 ft. from the top of the fireplace (12 ft. + 3 ft. for the 6000 ft.). See Table 1 for more precise recommended flue heights.

**CHIMNEY INSTALLATION**

The maximum height of chimney that can be supported by the top of the fireplace is 18 feet. For taller chimneys, additional supports are required. Offset or roof supports can be used.

**NOTE:** The clearance between the chimney and combustible material must be at least 2". **DO NOT** fill this area with insulation.

1. Cut and frame the required holes in the floor(s), ceiling(s) and roof where the chimney will pass through. The rough opening in the framing is 13" square (the opening can be slightly bigger, up to 13 1/2", but NEVER smaller).
2. From below, install a radiation shield in each floor through which the chimney passes. At the attic level, install a radiation shield and a storm collar as shown in (Figure 8).

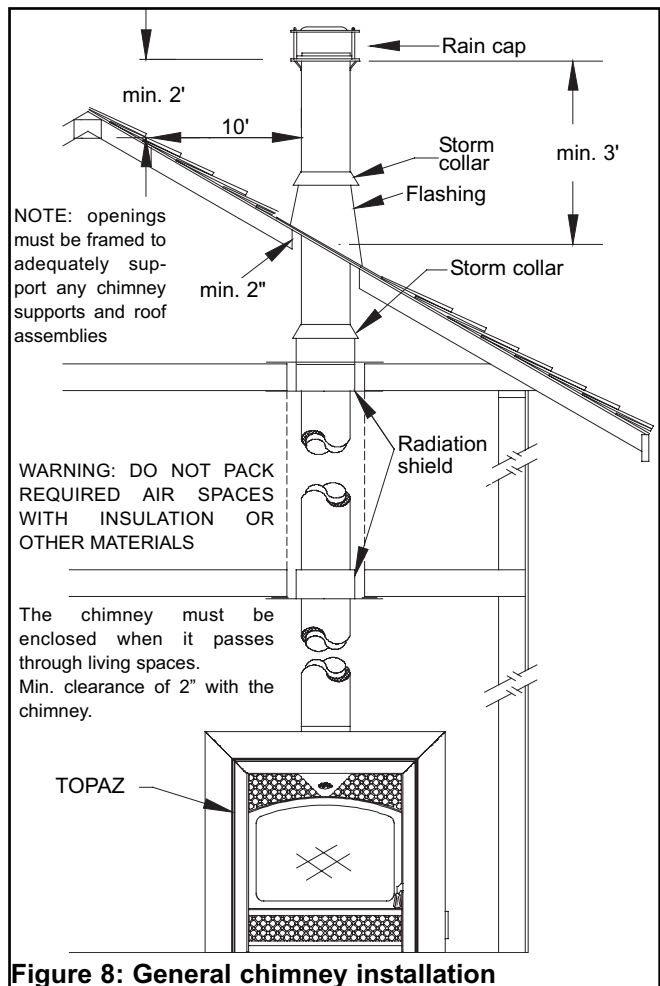


Figure 8: General chimney installation

**WARNING: A RADIATION SHIELD MUST BE INSTALLED AT EACH FLOOR WHERE THE CHIMNEY PASSES THROUGH.**

- Remove the flue adapter from the fireplace, put the screws aside. Install the flue adapter on the first chimney length and secure it with the screws provided. Reinstall the flue adapter on the fireplace and secure it with the screws you have put aside earlier. Assemble the rest of the chimney.

The chimney must extend at least 3 ft above its point of contact with the roof and at least 2 ft higher than any wall, roof, or building within 10 ft of it. If the chimney is higher than 5 ft. above the roof, it must be secured with a roof brace.

- Put the roof flashing into place. Seal the joint between the roof and the flashing with roofing tar. For sloping roofs, place the flashing under the upper shingles and on top of the lower shingles. Nail the flashing to the roof using roofing nails.

If the chimney is enclosed to the roof:

- in **USA**: use a vented flashing.
- in **CANADA**: use a vented flashing, or a roof radiation shield with a regular flashing.

- Place the storm collar over the chimney just above the flashing. Seal it around the chimney with silicone sealer (**DO NOT use roofing tar**).
- Fit the rain cap on the chimney. Secure it tightly in place.
- Read the EXCEL Chimney installation manual concerning requirements for supports, bracing, anchors, etc. The EXCEL installation manual is available from your dealer or from our web site "www.icc-rsf.com".

**OFFSET CHIMNEY**

Maximum offset angle:

- in **CANADA**: 45°
- in **USA**: 30°

Maximum number of elbows: Four (4), resulting in two (2) offsets.

An elbow may be installed directly on top of the fireplace if required. See the detailed offset chart in the EXCEL chimney installation instructions. See Figures 9 and 10 for examples.

Install the fireplace and chimney as described earlier. When you require an elbow, proceed as follows:

- Install the required elbow. Turn it in the desired direction, and fasten it to the other section with the 3 metal screws provided.
- Install the lengths required to obtain the desired offset. Secure each joint with 3 metal screws.
- Use another elbow to return the chimney to the vertical direction.
- Install a roof support, wall support, or an offset support above each offset to support the weight of the flue (elbows cannot support a flue above an offset).

**CHASE ENCLOSURE**

If the chimney runs up the outside of the house, we recommend that it be enclosed in a chase structure. The chase should be constructed in such a way that it is an extension of the home. It should be well insulated between the footings and the floor of the home to prevent heat loss. If the climate in your area is mild, insulate the chase at least to the

TABLE 1							
MINIMUM RECOMMENDED FLUE HEIGHTS IN FEET FROM THE TOP OF THE FIREPLACE							
NUMBER OF ELBOWS							
Elevation(ft)	0	2 x 15°	4 x 15°	2 x 30°	4 x 30°	2 x 45°	4 x 45°
0-1000	12'	13'	14'	15'	18'	16'	20'
1000-2000	12'6"	13'6"	14'6"	15'6"	19'	16'6"	20'
2000-3000	13'	14'	15'	16'	19'6"	17'	21'6"
3000-4000	13'6"	14'6"	15'6"	17'	20'	18'	22'6"
4000-5000	14'	15'	16'	17'6"	21'	18'6"	23'
5000-6000	14'6"	15'6"	17'	18'	21'6"	19'	24'
6000-7000	15'	16'	17'6"	18'6"	22'	20'	24'6"
7000-8000	15'6"	16'6"	18'	19'	23'	20'6"	25'6"
8000-9000	16'	17'	18'6"	20'	24'	21'	26'6"
9000-10000	16'6"	17'6"	19'	20'6"	24'6"	22'	27'

first fire-stop. If the climate in your area is very cold, insulate the chase to the top to keep the flue warmer, to increase the draft, and reduce creosote build-up.

Some local codes require that the walls be insulated, vapour sealed and sheathed with a fire rated gypsum board (see Figure 11). We strongly recommend this procedure for all installations to prevent cold drafts from originating in the fireplace enclosure. If you follow this procedure, we recommend that you do not insulate the wall above the front of the fireplace.

**NOTE:** In **USA** if the chase is enclosed or flashed to the roof as shown in (Figures 8, 10 and 11), then the flashing must be vented.

**REMEMBER:** Check local codes concerning installation requirements and restrictions in your area.

**FRAMING**

The enclosure walls can be framed with any suitable materials (2 x 4 or 2 x 6 studs, plywood, gypsum board, etc.). Because of the high heat output potential of the TOPAZ, combustible material must NOT go closer to the fireplace than the standoffs, top, back and sides.

**HEARTH EXTENSION**

The area immediately in front of the fireplace must be protected by a non-combustible material such as brick, tile,

stone, or slate. The protection must extend at least 16" in front and 8" on both sides of the fireplace opening. There is no minimum thickness required for the hearth extension.

**BENEATH HEARTH EXTENSION**

If the TOPAZ is installed on a non combustible floor, NONE of the sheet metal, Durock® board and spark guard specified below are required.

Install the spark guard provided (5" x 36" piece of sheet metal) halfway under the fireplace and halfway under the hearth extension. The spark guard will extend 2 1/2" beneath the TOPAZ. This will make certain that sparks cannot lodge in this area and start a fire.

If you are preparing a raised installation, you will need a custom made spark guard, either a "Z" shaped spark guard or a right angle spark guard (see Figure 12). The Z-shaped spark guard must be used if the height between the bottom of the fireplace and the top of the non-combustible flooring of the hearth extension is less than or equal to 2 1/2". The height of the Z-shaped spark guard must equal the distance between the floor and the base of the unit and go under the hearth extension and the fireplace by at least 2 1/2". If the unit is installed higher than 2 1/2" from the top of the flooring, a right angle spark guard is necessary. The sides of the right angle spark guard should be at least 2 1/2" x 2 1/2" and must be covered with non combustible material. Any custom made spark guard must run the full length of the fireplace (36").

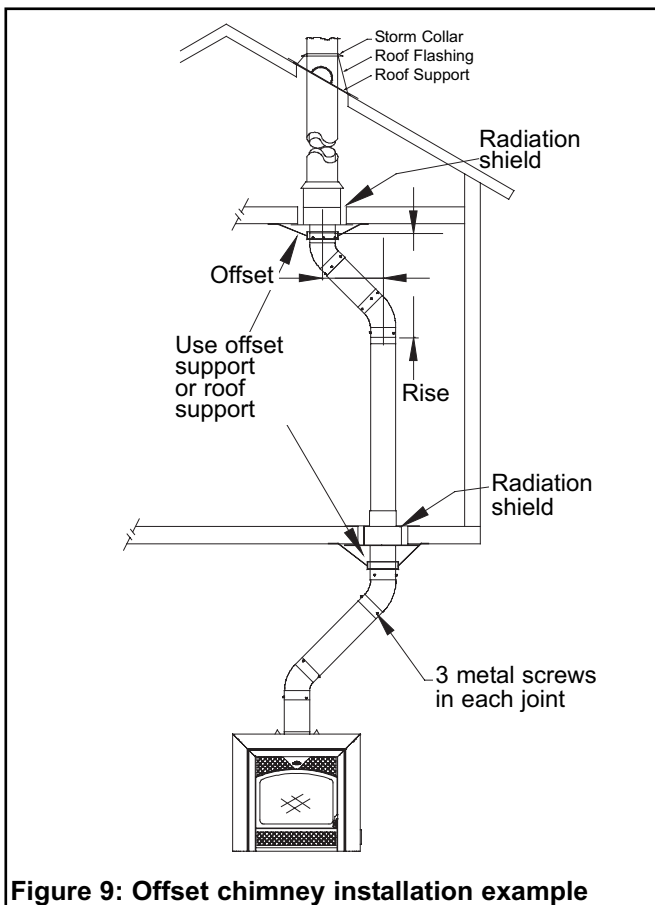


Figure 9: Offset chimney installation example

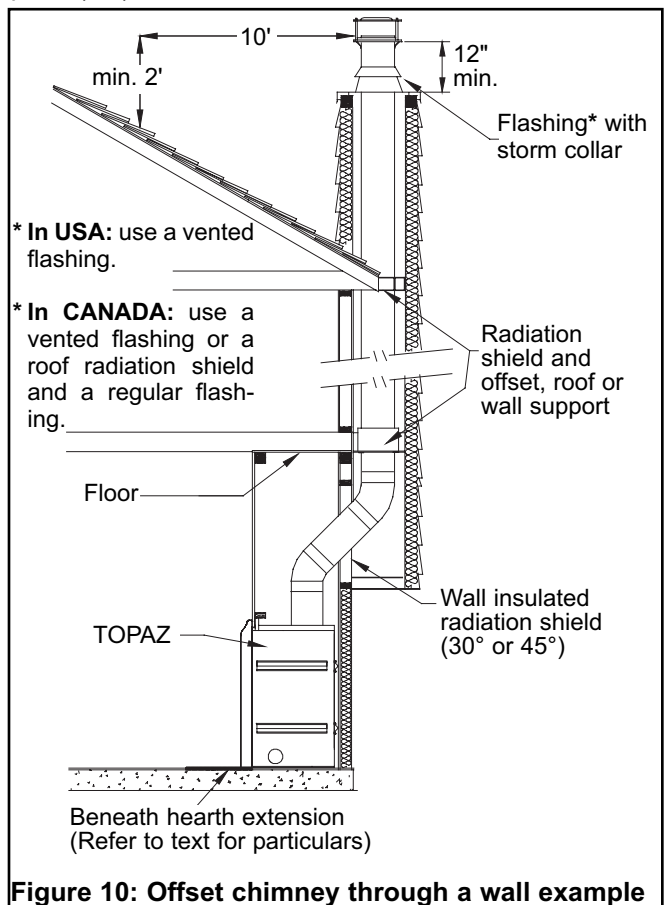
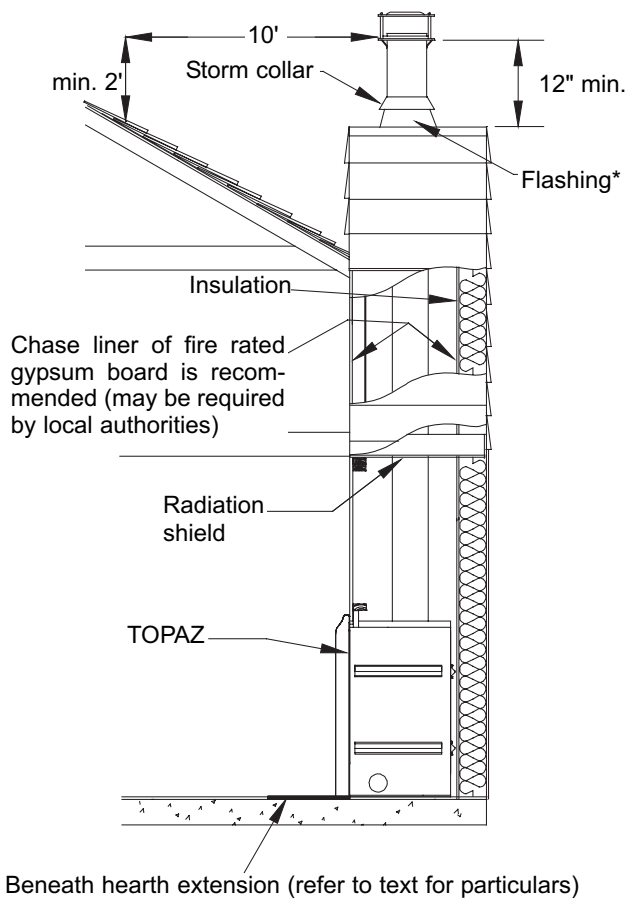


Figure 10: Offset chimney through a wall example

**\*In USA:** use a vented flashing.  
**\*In CANADA:** use a vented flashing or a roof radiation shield and a regular flashing.



**Figure 11: Chimney installed with chase enclosure example**

**NOTE: Custom made spark guards are not supplied.**

**In the USA :**

A metal sheet (galvanized steel, min. thickness of 0.018") with 1/2" Durock© cement board underneath or an equivalent cement board **MUST** be installed beneath the hearth extension. The metal sheet and Durock© board must have the same minimum dimensions as the hearth extension, 16" x 38 1/2". If the fireplace is raised by at least 4", the hearth area only requires the metal sheet, not the Durock© board.

The spark guard must be installed under any layers of the hearth extension.

**In CANADA :**

A metal (galvanized steel, min. thickness of 0.018") sheet **MUST** be installed beneath the hearth extension. It must have the same minimum dimensions as the hearth extension, 16" x 38 1/2".

**MANTEL**

The maximum depth of the mantel is 8".

Wood or other combustible mantels must be placed at least 8" above the top of the top extrusion (see Figure 6).

Masonry and other non-combustible mantels can be placed directly above the top of the top extrusion or higher. If the non-combustible mantel is located between 0" and 8" above the top of the fireplace facing, then the wall portion between the top of the fireplace facing and the mantel must be covered in non-combustible material. If the non-combustible mantel is located at 8" or more above the top of the fireplace facing then no special wall covering is required below the mantel.

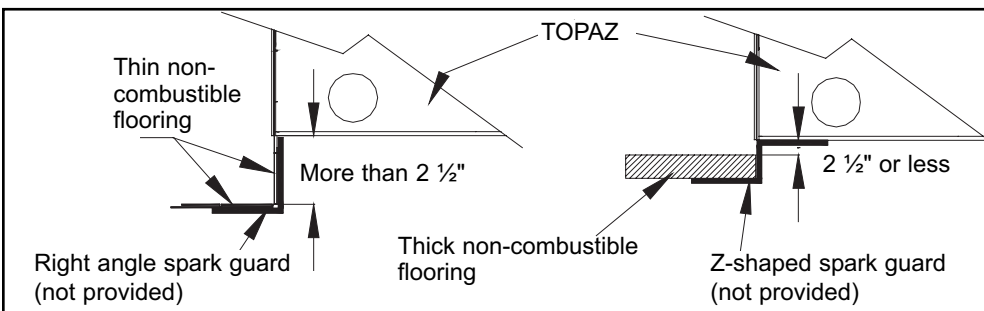
**DOOR INSTALLATION**

**NOTE:** We recommend that you delay the installation of the door until after all finishing work is completed around the fireplace. This will reduce the possibility of scratches, vandalism, or damage to the finish caused by drywall dust, muriatic acid, plaster, cement, paint or any other harmful spray or liquid.

The TOPAZ is offered with many door options.

*Use only genuine RSF parts. The use of any substitutes will decertify the system and may put your safety at risk.*

To install the door on the fireplace, start by removing all 5 screws on the left side of the door. You can store 2 of them as replacement screws. If the extrusions are installed, open the left extrusion. Open the hinge on the left of the fireplace and attach the door to the hinge with 3 screws as shown in Figure 13.



**Figure 12: Special custom made spark guard**

Refer to the Door Adjustment paragraph in the Maintenance section of the current instructions to properly adjust the seal of the door.

**EXTRUSION INSTALLATION**

**NOTE:** We recommend that you delay the installation of the extrusions until after all finishing work is completed around the fireplace. This will reduce the possibility of scratches, vandalism, or damage to the finish caused by drywall dust, muriatic acid, plaster, cement, paint or any other harmful spray or liquid.

Since the wall covering can be installed directly around the fireplace without any clearance to the front of the fireplace, the extrusions are designed to compensate for the thickness of the wall covering that you have installed (up to 3/4"). Never encase the extrusions with the wall covering; you need to be able to open both the left and the right extrusions.

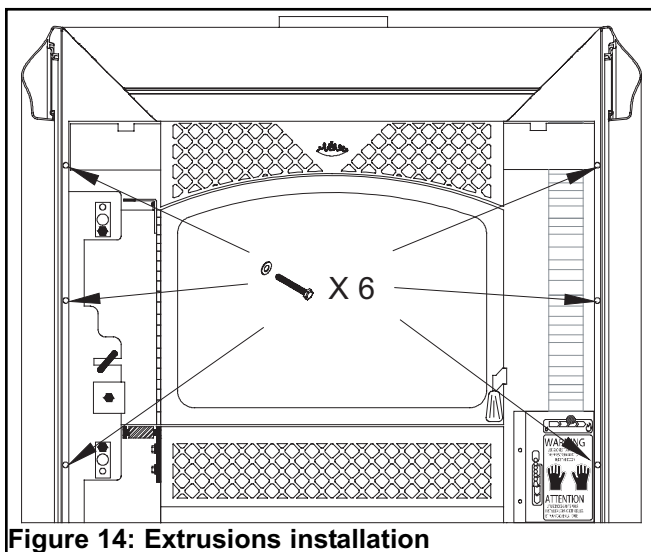
Once the wall covering is completely finished, take the extrusions out of the storage bag. Using the 6 screws and the 6 washers, attach the extrusions on the fireplace as shown in Figure 14. Tighten all screws so that the extrusions are tight against the wall covering and the fireplace. Make sure that both extrusions can be opened and closed without any difficulty using the handle at the bottom of each extrusion.

**LOUVER INSTALLATION**

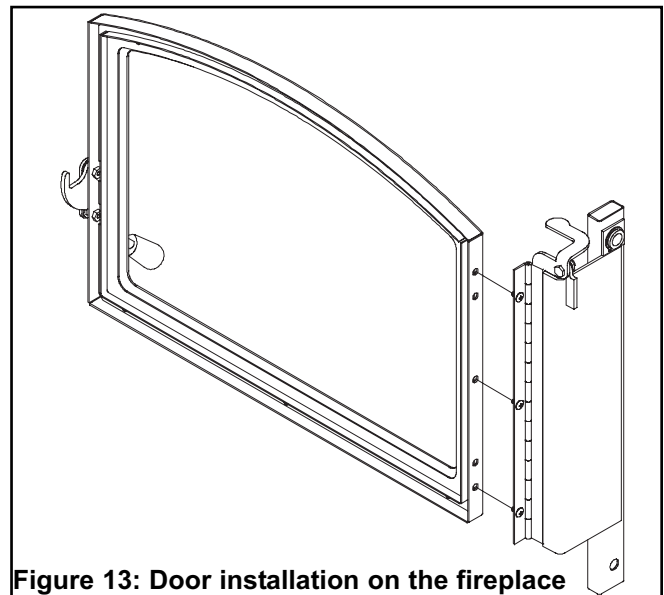
**NOTE:** We recommend that you delay the installation of the louvers until after all finishing work is completed around the fireplace. This will reduce the possibility of scratches, vandalism, or damage to the finish caused by drywall dust, muriatic acid, plaster, cement, paint or any other harmful spray or liquid.

The TOPAZ is offered with many louvers options.

*Use only genuine RSF parts. The use of any substitutes will decertify the system and may put your safety at risk.*



**Figure 14: Extrusions installation**



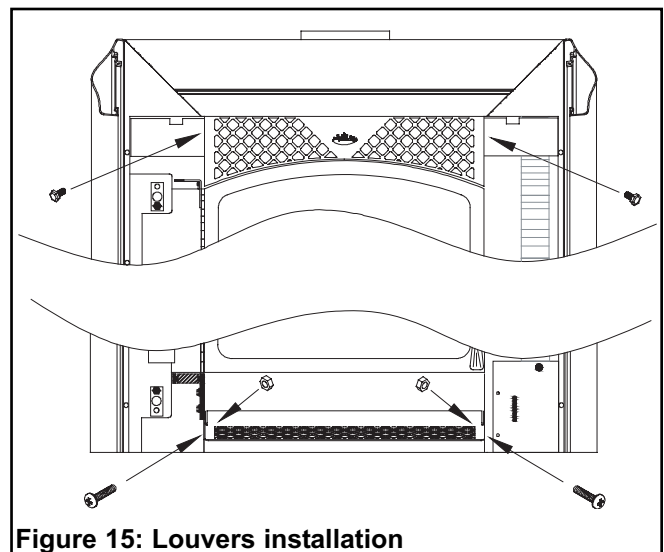
**Figure 13: Door installation on the fireplace**

If the extrusions are installed, open both the left and the right extrusion. Using the 2 bolts provided, attach the upper louver to the top of the fireplace as shown in Figure 15. Make sure to install the upper louver level and centered. Using the 2 very small bolts along with the 2 small lock nuts provided, attach the bottom louver to the bottom of the fireplace as shown in Figure 15. Again be careful to install the bottom louver level and centered. The bottom louver is held in the upright position by 2 magnets located on the back side of the bottom louver.

**REFRACTORY BRICKS INSTALLATION**

The refractory bricks must be installed in proper sequence to allow them to fit in the firebox (see Figure 16). Hide the door, if already installed, for easier access to the firebox. To remove any of the refractory bricks, just follow the installation procedure in the reverse sequence.

1. Remove the secondary air tube at the top front of the firebox. To do so, unscrew the bracket located on the left



**Figure 15: Louvers installation**

- side of the tube.
- 2. Place the baffle (11.9.T) above the other two tubes and ensure its proper orientation: narrow part towards the rear and grooves towards the bottom (see Figure 16a).
- 3. Reinstall the first tube and screw it in place.
- 4. Insert the rear refractory brick in the firebox (11.3.T), then the left side refractory brick (11.1.T). See Figure 16b for the proper orientation.
- 5. Insert the refractory brick on the right side (11.2.T) of the firebox but do not position it yet. Ensure that it is resting firmly on the rear refractory brick as shown in Figure 16c.
- 6. Insert the arch refractory brick (11.8.T) in the firebox as shown in Figure 16d.

- 7. Pivot the arch refractory brick until it is in a horizontal position (see Figure 16e) and then slide the right refractory brick until it is in place. The arch refractory brick is supported by the two side refractory bricks.
- 8. Install the 2 bottom refractory bricks in the firebox (11.4.T on the left and 11.5.T on the right). To facilitate the installation, remove the plug and insert the refractory bricks as shown in Figure 16f. First, slide the bottom refractory brick below the square tube located at the front floor of the firebox. Then install the right refractory brick in the same fashion. Replace the plug.
- 9. Finally, install the 2 front refractory bricks (11.6.T on the left and 11.7.T on the right) as shown in Figure 16g.

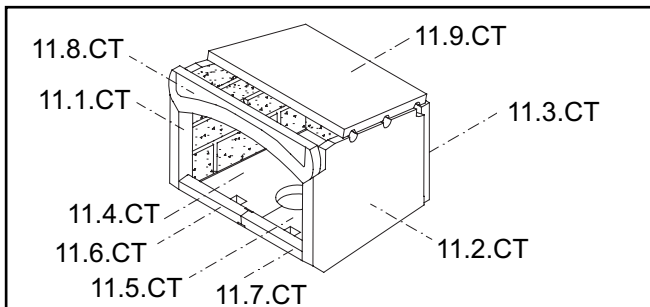


Figure 16: Refractory bricks installation

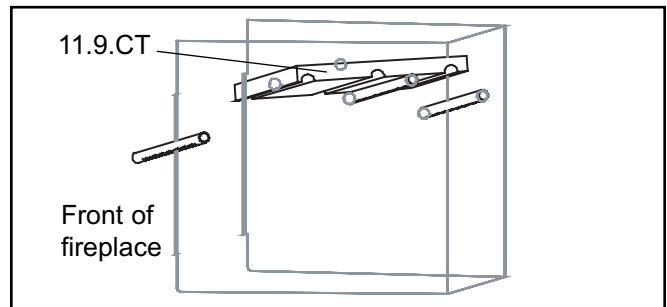


Figure 16a

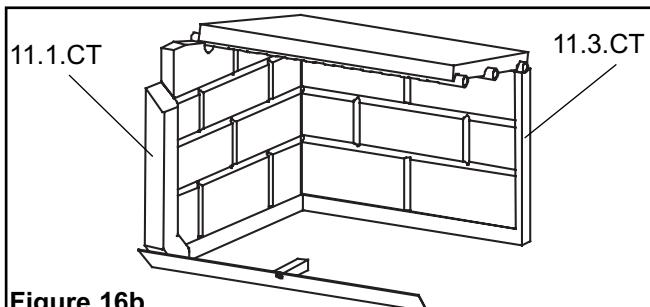


Figure 16b

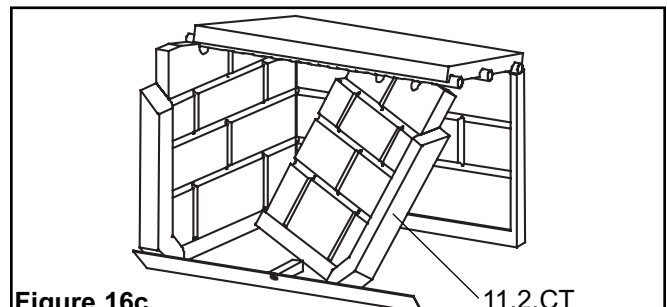


Figure 16c

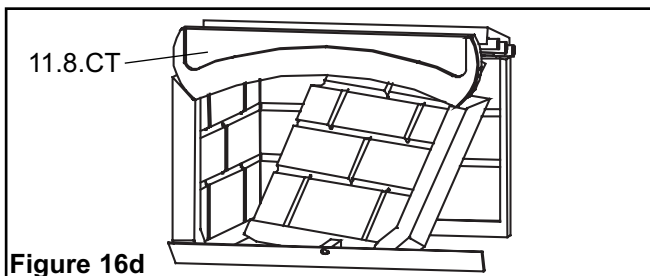


Figure 16d

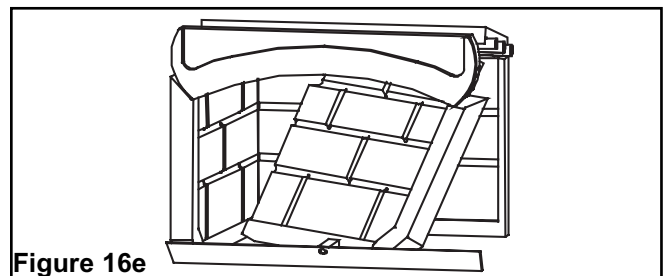


Figure 16e

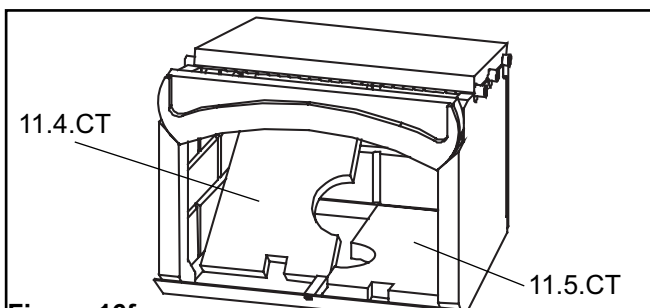


Figure 16f

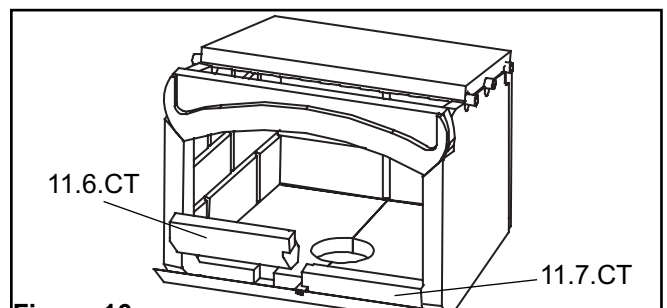


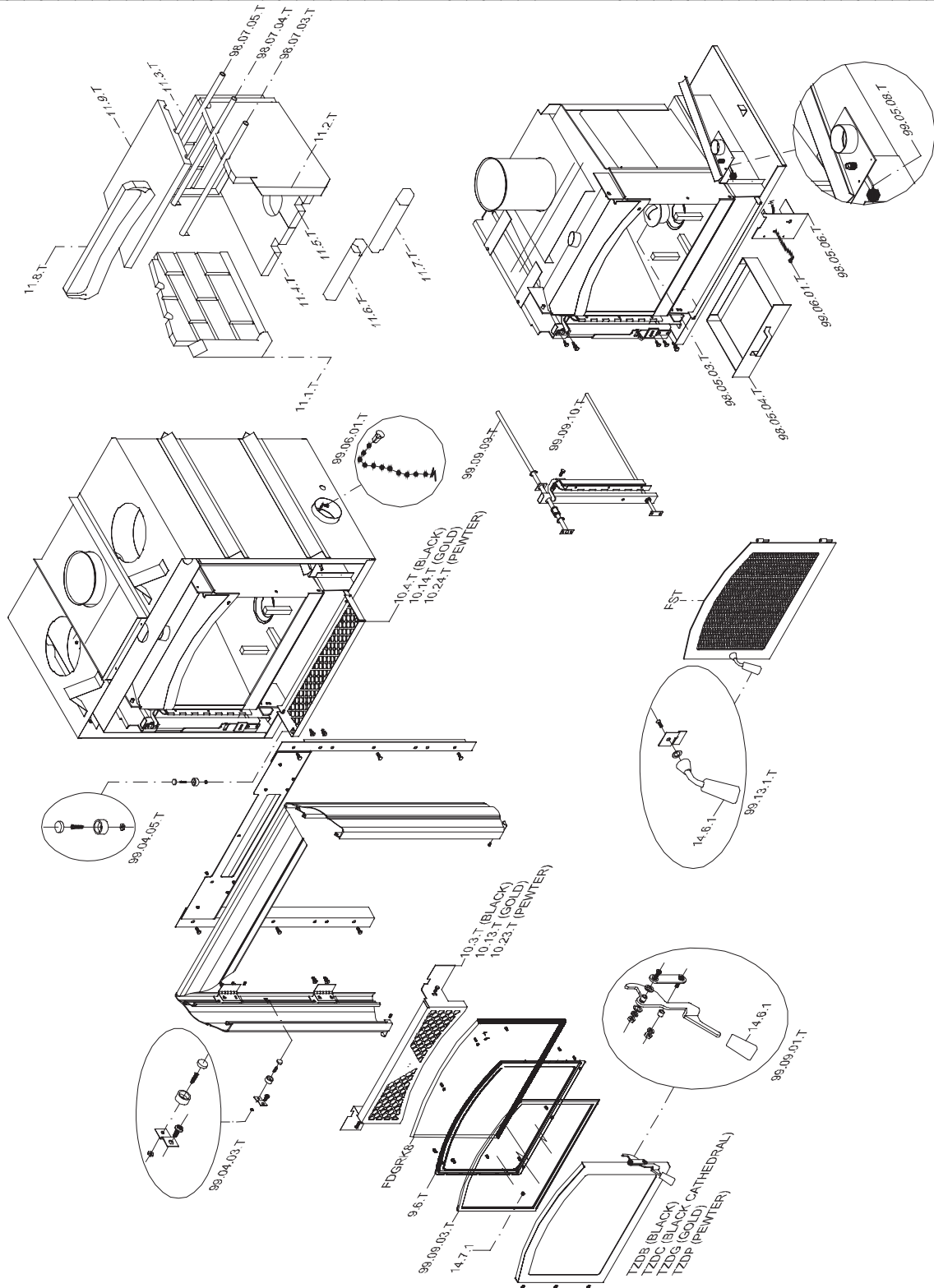
Figure 16g

**FIREPLACE OPTIONS**

FDDHE	Decorative Hearth Extension
FDGRK8	Gasket Replacement Kit
FDHB8	Circulating Internal Blower
VCT	Gravity Vent Kit
FDFST	Firescreen
TZDB	Topaz/Chameleon Door - Black
TZDC	Topaz/Chameleon Door - Cathedral (black)
TZDG	Topaz/Chameleon Door - Gold plated
TZDP	Topaz/Chameleon Door - Pewter plated
TZLB	Topaz Louvers - Black
TZLG	Topaz Louvers - Gold plated
TZLP	Topaz Louvers - Pewter plated

REPLACEMENT PARTS	DESCRIPTION	NEW CODE	PRICE
Ash pan		1.54.T	50.00
Bottom louver assem. (black)		10.4.T	55.00
Bottom louver assem. (gold)		10.14.T	175.00
Bottom louver assem. (pewter)		10.24.T	195.00
Bolt 4-40 x 3/8"		14.1.9	P/A
Lock nut, 4-40 NC		14.3.50	P/A
Louver magnet assembly		99.04.05.T	8.00
Magnet holder, for 3/8" magnet		14.17.6	P/A
Magnet 3/8" x 1"		14.17.5	P/A
Nut 4-40 hex		14.3.100	P/A
Screw 4-40 x 3/8", FLAT PH		14.1.100	P/A
Top louver assembly (black)		10.3.T	55.00
Top louver assembly (gold)		10.13.T	175.00
Top louver assembly (pewter)		10.23.T	195.00
Bolt 1/4 x 1/2 NC		14.1.59	P/A
Door handle assembly		99.09.01.T	30.00
Handle		14.6.1	5.00
Door handle		9.11.T	P/A
Door lock plate		14.17.65	P/A
Bolt 12-24 x 3/4, FLAT PH		14.1.67	P/A
Washer 3/8 spring		14.2.83	P/A
Washer for 3/8" bolt		14.2.84	P/A
Bushing 25" I.D. - .375" O.D.		14.8.9	P/A
Washer 1/4" split locked		14.2.50	P/A
Nut 12-24 THIN HEX		14.3.57	P/A
Firescreen assembly		FDGST	
Firescreen handle assembly		99.13.01.T	20.00
Door assembly (black)		TZDB	
Door assembly (black cathedral)		TZDC	
Door assembly (gold)		TZDG	
Door assembly (pewter)		TZDP	
Door gasket (c/w silicone)		FDGRK8	
Glass retainer		9.6.T	20.00
Glass & gasket kit assembly		99.09.03.T	315.00
Window		14.7.1	230.00
Channel		99.09.06.T	95.00
Bearing & clips		99.09.07.T	55.00
Bottom sliding rod (3/8") assembly		99.09.10.T	60.00
Top sliding rod (1/2") assembly		99.09.09.T	15.00
Baffle refractory		11.9.T	30.00
Refractory complete set		99.11.01.T	180.00
Left side refractory		11.1.T	40.00
Right side refractory		11.2.T	40.00
Back refractory		11.3.T	35.00
Bottom left refractory		11.4.T	20.00
Bottom right refractory		11.5.T	20.00
Front left refractory		11.6.T	15.00
Front right refractory		11.7.T	15.00
Front top refractory		11.8.T	15.00
Extrusion complete assem.(blk)		99.04.01.T	
Extrusion magnet assembly		99.04.03.T	12.00
Extrusion inserts (pewter/gold)		99.04.22.T	10.00
Air control handle assembly		99.05.08.T	15.00
Chain and pendant assembly		99.06.01.T	10.00
Chain #10 steel ball		14.17.3	P/A
Detachable pendant		14.17.4	P/A
Secondary air tube, front		98.07.03.T	55.00
Secondary air tube, middle		98.07.04.T	55.00
Secondary air tube, back		98.07.05.T	55.00
	NOT AVAILABLE	N/A	
	PART OF ASSEMBLY	P/A	

10/2005



TOPAZ



WOODBURNING FIREPLACES



**LISTED FACTORY BUILT FIREPLACE**  
MODEL: TOPAZ  
TESTED TO: UL-127 / UL-C-S610

**MINIMUM CLEARANCES TO COMBUSTIBLE MATERIALS**

SIDEWALL, SIDE FACING MANTLE, TOP FACING UNIT TOP, BACK, SIDES AND BOTTOM	12 IN. / 305 MM FROM DOOR OPENING 19 IN. / 485 MM FROM DOOR OPENING 0 IN. / 0 MM TO SPACERS
---	---

COMBUSTIBLE MATERIALS ARE NOT PERMITTED ON FACE OF UNIT. COMBUSTIBLE FLOOR MUST BE PROTECTED AS SPECIFIED IN THE INSTALLATION INSTRUCTION MANUAL.  
COMPONENTS REQUIRED FOR INSTALLATION:  
USE 4 IN. OR 5 IN. (102 OR 130MM) DIAMETER FLEXIBLE DUCT AND COMBUSTION AIR INLET ASSEMBLY.  
USE THE ICC **MODEL 7 IN. (190 MM) EXCEL** CHIMNEY AND LISTED COMPONENTS AS PER INSTALLATION INSTRUCTIONS.

OPTIONAL COMPONENTS: PART NO:  
FDH88 : FAN ASSEMBLY 115V, 60HZ, 1A  
FDH87 : FIRECRFX  
FDVD : B-VENT HEAT DUCT SYSTEM

REPLACE GLASS ONLY WITH 5MM CERAMIC GLASS. OPERATE ONLY WITH FIREBRICK IN PLACE. FOR USE WITH SOLID WOOD FUEL ONLY. DO NOT OVERFIRE UNIT. WARNING: THIS FIREPLACE HAS NOT BEEN TESTED WITH AN UNVENTED GAS LOG SET. TO REDUCE RISK OF FIRE OR INJURY, DO NOT INSTALL AN UNVENTED GAS LOG SET INTO FINT KITREPLACE.

**FOYER PREFABRIQUE**  
MODELE: TOPAZ  
MIS A L'ESSAI SELON LES NORMES  
UL-127/ULC-S610

**DÉGAGEMENTS MINIMUM AUX MATIÈRES COMBUSTIBLES**

MUR DE CÔTÉ, FAÇADE-CÔTÉ MANTEAU, FAÇADE-DESSUS DESSUS, ARRIÈRE, CÔTÉS ET BASE DE L'APPAREIL	12 PO. / 305 MM DE L'OUVERTURE DE LA PORTE 19 PO. / 485 MM DE L'OUVERTURE DE LA PORTE 0 PO. / 0 MM DES CALES
---	--

LES MATÉRIEAUX COMBUSTIBLES NE SONT PAS PERMIS SUR LA FAÇADE DE L'APPAREIL. UN PLANCHER COMBUSTIBLE DOIT ÊTRE PROTÉGÉ SUIVANT LES SPÉCIFICATIONS DU LIVRET D'INSTRUCTIONS.  
PIÈCES REQUISES POUR L'INSTALLATION: TUYAU FLEXIBLE DE 4" OU 5" (102 OU 130MM) DIA. ET PRISE D'ENTRÉE D'AIR.  
UTILISER UNE **CHIMINÉE EXCEL 7"** (190 MM) DE DIAMÈTRE DE ICC SELON LES INSTRUCTIONS D'INSTALLATION.

COMPOSANTS OPTIONNELS (NO. DE PIÈCE):  
FDH88 : SOUFFLERIE INTERNE 115V, 60 HZ, 1A  
FDH87 : ÉCRAN PARE-ÉTINCILLE  
FDVD : SYSTÈME DE RECUPERATION PAR ÉVENT TYPE B

LE REMPLACEMENT D'UNE VITRE DOIT SE FAIRE AVEC UNE VITRE CERAMIQUE DE 5MM D'ÉPAISSEUR SEULEMENT. OPÉRER SEULEMENT AVEC LES PIÈRES RÉFRACTAIRES EN PLACE. POUR UTILISATION AVEC DU BOIS SEULEMENT, NE PAS SURCHAUFFER L'APPAREIL.

**DO NOT REMOVE THIS LABEL / NE PAS ENLEVER CETTE ÉTIQUETTE**

SERIAL NO. / NO DE SÉRIE

DATE MANUFACTURED / DATE DE FABRICATION

U.S. ENVIRONMENTAL PROTECTION AGENCY CERTIFIED TO COMPLY WITH JULY 1990 PARTICULATE EMISSION STANDARDS.

MADE IN CANADA

WOODBURNING FIREPLACES

U.S. ENVIRONMENTAL PROTECTION AGENCY CERTIFIED TO COMPLY WITH JULY 1990 PARTICULATE EMISSION STANDARDS.

MANUFACTURED BY / FAIT PAR ICC, 400 J-F KENNEDY, ST-JEROME QUEBEC, CANADA, J7Y 4B7

**LISTED FACTORY BUILT FIREPLACE**  
MODEL: TOPAZ  
TESTED TO: UL-127 / UL-C-S610

**MINIMUM CLEARANCES TO COMBUSTIBLE MATERIALS**

SIDEWALL, SIDE FACING MANTLE, TOP FACING UNIT TOP, BACK, SIDES AND BOTTOM	12 IN. / 305 MM FROM DOOR OPENING 19 IN. / 485 MM FROM DOOR OPENING 0 IN. / 0 MM TO SPACERS
---	---

COMBUSTIBLE MATERIALS ARE NOT PERMITTED ON FACE OF UNIT. COMBUSTIBLE FLOOR MUST BE PROTECTED AS SPECIFIED IN THE INSTALLATION INSTRUCTION MANUAL.  
COMPONENTS REQUIRED FOR INSTALLATION:  
USE 4 IN. OR 5 IN. (102 OR 130MM) DIAMETER FLEXIBLE DUCT AND COMBUSTION AIR INLET ASSEMBLY.  
USE THE ICC **MODEL 7 IN. (190 MM) EXCEL** CHIMNEY AND LISTED COMPONENTS AS PER INSTALLATION INSTRUCTIONS.

OPTIONAL COMPONENTS: PART NO:  
FDH88 : FAN ASSEMBLY 115V, 60HZ, 1A  
FDH87 : FIRECRFX  
FDVD : B-VENT HEAT DUCT SYSTEM

REPLACE GLASS ONLY WITH 5MM CERAMIC GLASS. OPERATE ONLY WITH FIREBRICK IN PLACE. FOR USE WITH SOLID WOOD FUEL ONLY. DO NOT OVERFIRE UNIT. WARNING: THIS FIREPLACE HAS NOT BEEN TESTED WITH AN UNVENTED GAS LOG SET. TO REDUCE RISK OF FIRE OR INJURY, DO NOT INSTALL AN UNVENTED GAS LOG SET INTO FINT KITREPLACE.

**FOYER PREFABRIQUE**  
MODELE: TOPAZ  
MIS A L'ESSAI SELON LES NORMES  
UL-127/ULC-S610

**DÉGAGEMENTS MINIMUM AUX MATIÈRES COMBUSTIBLES**

MUR DE CÔTÉ, FAÇADE-CÔTÉ MANTEAU, FAÇADE-DESSUS DESSUS, ARRIÈRE, CÔTÉS ET BASE DE L'APPAREIL	12 PO. / 305 MM DE L'OUVERTURE DE LA PORTE 19 PO. / 485 MM DE L'OUVERTURE DE LA PORTE 0 PO. / 0 MM DES CALES
---	--

LES MATÉRIEAUX COMBUSTIBLES NE SONT PAS PERMIS SUR LA FAÇADE DE L'APPAREIL. UN PLANCHER COMBUSTIBLE DOIT ÊTRE PROTÉGÉ SUIVANT LES SPÉCIFICATIONS DU LIVRET D'INSTRUCTIONS.  
PIÈCES REQUISES POUR L'INSTALLATION: TUYAU FLEXIBLE DE 4" OU 5" (102 OU 130MM) DIA. ET PRISE D'ENTRÉE D'AIR.  
UTILISER UNE **CHIMINÉE EXCEL 7"** (190 MM) DE DIAMÈTRE DE ICC SELON LES INSTRUCTIONS D'INSTALLATION.

COMPOSANTS OPTIONNELS (NO. DE PIÈCE):  
FDH88 : SOUFFLERIE INTERNE 115V, 60 HZ, 1A  
FDH87 : ÉCRAN PARE-ÉTINCILLE  
FDVD : SYSTÈME DE RECUPERATION PAR ÉVENT TYPE B

LE REMPLACEMENT D'UNE VITRE DOIT SE FAIRE AVEC UNE VITRE CERAMIQUE DE 5MM D'ÉPAISSEUR SEULEMENT. OPÉRER SEULEMENT AVEC LES PIÈRES RÉFRACTAIRES EN PLACE. POUR UTILISATION AVEC DU BOIS SEULEMENT, NE PAS SURCHAUFFER L'APPAREIL.

**DO NOT REMOVE THIS LABEL / NE PAS ENLEVER CETTE ÉTIQUETTE**

SERIAL NO. / NO DE SÉRIE

DATE MANUFACTURED / DATE DE FABRICATION

U.S. ENVIRONMENTAL PROTECTION AGENCY CERTIFIED TO COMPLY WITH JULY 1990 PARTICULATE EMISSION STANDARDS.

MADE IN CANADA

WOODBURNING FIREPLACES

U.S. ENVIRONMENTAL PROTECTION AGENCY CERTIFIED TO COMPLY WITH JULY 1990 PARTICULATE EMISSION STANDARDS.

MANUFACTURED BY / FAIT PAR ICC, 400 J-F KENNEDY, ST-JEROME QUEBEC, CANADA, J7Y 4B7



We recommend that our products be installed and serviced by professionals who are certified in the U.S. by NFI (National Fireplace Institute) or in Canada by WETT (Wood Energy Technical Training).



CERTIFIÉ PAR EPA (USA) SELON LA NORME SUR LES ÉMISSIONS DE PARTICULES (JUILLET 1990)



CERTIFIÉ PAR EPA (USA) SELON LA NORME SUR LES ÉMISSIONS DE PARTICULES (JUILLET 1990)



FABRIQUÉ AU CANADA



## TOPAZ - Limited Warranty

### 30 Year Limited Warranty

All RSF Woodburning Fireplaces fireplace models are warranted against defects in material and workmanship for a period of 30 years, subject to the following conditions:

During the first year **RSF Woodburning Fireplaces** will repair or replace, at our option, any parts which upon examination by an authorized **RSF Woodburning Fireplaces** representative are found to be defective, except the parts listed in the EXCLUSIONS portion of this warranty. **RSF Woodburning Fireplaces** will also pay reasonable labor costs for the repair work.

During the second through fifth years **RSF Woodburning Fireplaces** will repair or replace, at our option, any parts which upon examination by an authorized **RSF Woodburning Fireplaces** representative are found to be defective, except the parts listed in the EXCLUSIONS portion of this warranty. **RSF Woodburning Fireplaces** shall not be responsible for any labor costs associated with this repair work.

During the sixth through thirtieth years **RSF Woodburning Fireplaces** will provide replacement parts, if available, at 50% of the published retail price, except for the parts listed in the EXCLUSIONS portion of this warranty. **RSF Woodburning Fireplaces** shall not be responsible for any labor costs associated with this repair work.

#### EXCLUSIONS

- Electrical components are warranted for one year only.
- Glass and gold or pewter plating.
- Damage due to normal wear and tear, such as paint discoloration, worn gaskets, eroded or cracked refractory components.
- Repairs or replacements necessitated by vandalism, neglect, abuse, over-firing, improper fuel or fuel loads, or failure to adequately service the unit, as stated in the instruction manual.
- Repairs or replacements (particularly charges for travel and labor) not authorized by **RSF Woodburning Fireplaces** in advance.

#### LIMITATIONS

All items found to be defective will be replaced or repaired upon return of the defective part to an authorized **RSF Woodburning Fireplaces** dealer. **RSF Woodburning Fireplaces** will not be responsible for freight costs related to shipping replacement parts.

Any complete fireplace, or part thereof, that is replaced or serviced under this warranty will be warranted for a period not exceeding the remaining term of the original warranty.

This warranty is not transferable.

This warranty does not apply to damage to the appliance while in transit.

This warranty does not apply if the installation does not conform to the installation requirements in the instruction manual.

**RSF Woodburning Fireplaces** is free of liability for any damages caused by the appliance, as well as material and labor charges incurred in the removal or re-installation of any **RSF Woodburning Fireplaces** fireplace under this warranty. Incidental or consequential damages are not covered by this warranty.

The remedies set forth herein are exclusive, and the liability of the seller shall not exceed the price of the fireplace or part thereof upon which the liability is based.

This warranty is expressly in lieu of all other warranties expressed or implied, including the warranties of merchantability and fitness for use and all other obligations or liabilities on the part of **RSF Woodburning Fireplaces**.